

brother[®]

**FACSIMILE EQUIPMENT
SERVICE MANUAL**

**MODEL: FAX560/FAX580MC/MFC660MC
FAX-T72/FAX-T74/FAX-T76**

© Copyright Brother 2000

All rights reserved.

No part of this publication may be reproduced in any form or by any means without permission in writing from the publisher.

Specifications are subject to change without notice.

PREFACE

This publication is a Service Manual covering the specifications, construction, theory of operation, and maintenance of the Brother facsimile equipment. It includes information required for field troubleshooting and repair--disassembly, reassembly, and lubrication--so that service personnel will be able to understand equipment function, to rapidly repair the equipment and order any necessary spare parts.

To perform appropriate maintenance so that the facsimile equipment is always in best condition for the customer, the service personnel must adequately understand and apply this manual.

This manual is made up of six chapters and appendices.

CHAPTER I.	GENERAL DESCRIPTION
CHAPTER II.	INSTALLATION
CHAPTER III.	THEORY OF OPERATION
CHAPTER IV.	DISASSEMBLY/REASSEMBLY AND LUBRICATION
CHAPTER V.	MAINTENANCE MODE
CHAPTER VI.	ERROR INDICATION AND TROUBLESHOOTING
Appendix 1.	EEPROM Customizing Codes
Appendix 2.	Circuit Diagrams

This manual describes the models and their versions to be destined for major countries. The specifications and functions are subject to change depending upon each destination.

CHAPTER I.

GENERAL DESCRIPTION

CHAPTER I. GENERAL DESCRIPTION

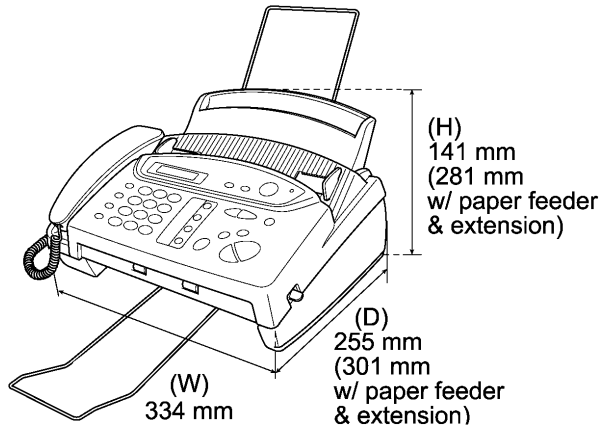
CONTENTS

1.	EQUIPMENT OUTLINE	I-1
1.1	External Appearance and Weight.....	I-1
1.2	Components	I-1
2.	SPECIFICATIONS	I-2

1. EQUIPMENT OUTLINE

1.1 External Appearance and Weight

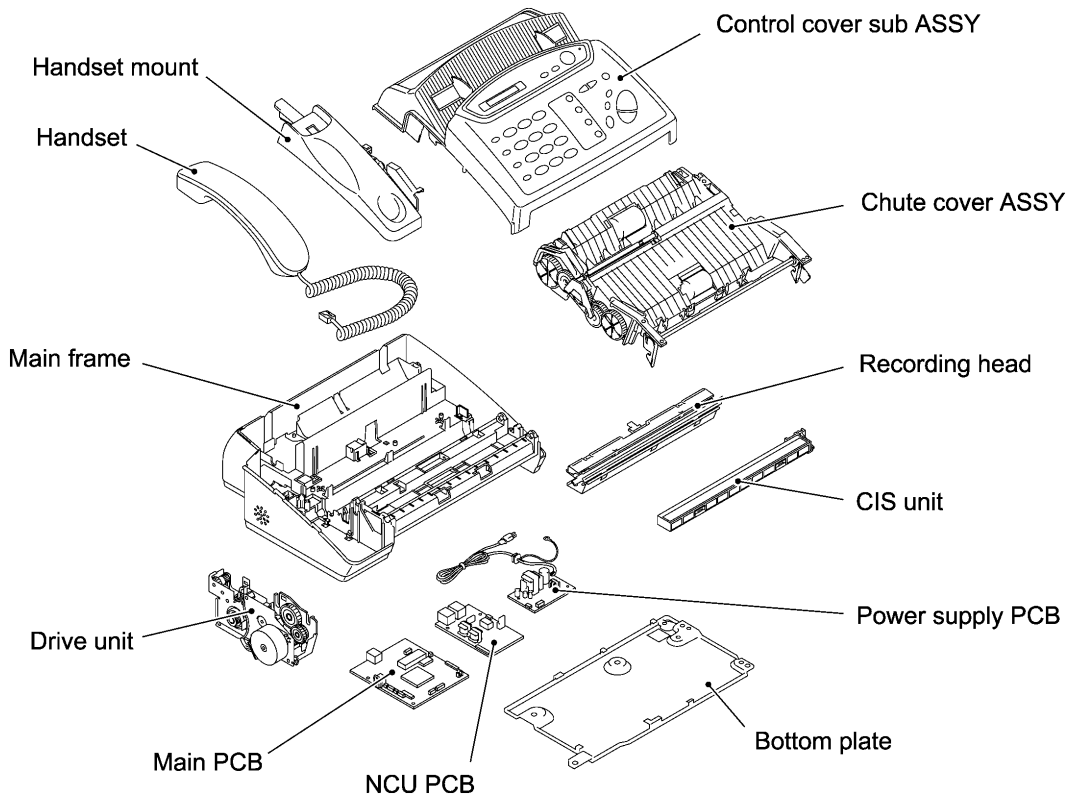
The figure below shows the equipment appearance and approximate dimensions.



Weight:	Machine proper (excluding accessories)	Approx. 2.9 kg
	In package	
	MFC660MC	Approx. 4.5 kg
	Other models	Approx. 4.1 kg

1.2 Components

The equipment consists of the following major components:



2. SPECIFICATIONS

(1/2)

Model Name	FAX560	FAX580MC	MFC660MC
Engine	Thermal transfer	Thermal transfer	Thermal transfer
Color	Upper: New Personal white (1485) Lower: 1473 gray	Upper: New Personal white (1485) Lower: 1473 gray	Upper: MFC white (1495 gray) Lower: 1473 gray
Transmission Speed (sec)	15	9	9
Modem Speed (bps)	9600	14,400	14,400
Group Compatibility	G3	G3	G3
Input/Output Width	8.5"/8.5"	8.5"/8.5"	8.5"/8.5"
ADF (pages)	10	10	10
Paper Feeder (sheets)	Letter: 50*, Legal: 30	Letter: 50*, Legal: 30	Letter: 50*, Legal: 30
Ribbon Yield (letter-size)	150 pages (47 m)	150 pages (47 m)	150 pages (47 m)
Starter Ribbon Yield (letter-size)	30 pages (10 m)	30 pages (10 m)	30 pages (10 m)
Replacement Roll	PC401: 47 m (150 pages)	PC401: 47 m (150 pages)	PC401: 47m (150 pages)
LCD Size	16 x 1	16 x 1	16 x 1
On-Screen Programming	Yes	Yes	Yes
Super Fine	Yes	Yes	Yes
Smoothing	Yes	Yes	Yes
Gray Scale (levels)	64 by Dithered	64 by Dithered	64 by Dithered
One Touch	4	4	4
Speed Dial	50	50	50
Telephone Index	Yes as "Search"	Yes as "Search"	Yes as "Search"
Speaker Phone	Monitor	Full duplex (digital)	Full duplex (digital)
Handset	Yes	Yes	Yes
FAX/TEL Switch	Yes	Yes	Yes
Distinctive Ring Detection	Yes	Yes	Yes
Caller ID	Yes	Yes	Yes
Call Waiting Caller ID	Yes	Yes	Yes
TAD Interface	Yes	Yes	Yes
Enhanced Remote Activation	Yes	Yes	Yes
Automatic Redial	Yes	Yes	Yes
Next-FAX Reservation	Yes	Yes	Yes
Multi-Resolution Transmission	Yes	Yes	Yes
Polling Type	Sim/Seq	Sim/Seq	Sim/Seq
Delayed Transmission	3-timer	3-timer	3-timer
Call Reservation	Yes	Yes	Yes
Electronic Coverpage	Yes-Super	Yes-Super	Yes-Super
Call Back Message	Yes	Yes	Yes
Activity Report	Yes	Yes	Yes
TX Verification Report	Yes	Yes	Yes
Memory Capacity (pages)	512 KB (up to 25 pages for OPR**)	512 KB (up to 25 pages for OPR**)	512 KB (up to 25 pages for OPR**)
ECM	Yes	Yes	Yes
Broadcasting	Yes	Yes	Yes
Quick Scan	Yes	Yes	Yes
Out-of-Paper Reception	Yes	Yes	Yes

*Paper feeder: 50 sheets for US/Canada

**Page memory: 25 pages in OPR (out-of-paper reception), 22 pages in quick scan

Model Name	FAX-T72 (Ger & Fra Only)	FAX-T74	FAX-T76
Engine	Thermal transfer	Thermal transfer	Thermal transfer
Color	New Personal black (1293)	New Personal black (1293)	New Personal black (1293)
Transmission Speed (sec)	15	15	9
Modem Speed (bps)	9600	9600	14,400
Group Compatibility	G3	G3	G3
Input/Output Width	8.5"/8.5"	8.5"/8.5"	8.5"/8.5"
ADF (pages)	10	10	10
Paper Feeder (A4-size)	30 sheets	30 sheets	30 sheets
Ribbon Yield (A4-size)	130 pages (47 m)	130 pages (47 m)	130 pages (47 m)
Starter Ribbon (A4-size)	Yes-10 m (30 pages)	Yes-10 m (30 pages)	Yes-10 m (30 pages)
Replacement Roll			
LCD Size	16 x 1	16 x 1	16 x 1
On-Screen Programming	Yes	Yes	Yes
Super Fine	Yes	Yes	Yes
Smoothing	Yes	Yes	Yes
Gray Scale (levels)	64 by Dithered	64 by Dithered	64 by Dithered
One Touch	4	4	4
Speed Dial	50	50	50
Telephone Index	Yes as "Search"	Yes as "Search"	Yes as "Search"
Speaker Phone	Monitor	Monitor	Full duplex (digital)
Handset	No	Yes	Yes
FAX/TEL Switch	Yes	Yes	Yes
Caller ID	Yes HOL/SWE/UK/IRE/ FRA/ NOR/BEL/ DEN/SPA	Yes HOL/SWE/UK/IRE/ FRA/ NOR/BEL/ DEN/SPA	Yes HOL/SWE/UK/IRE FRA/ NOR/BEL/ DEN/SPA
Call Waiting Caller ID	No	No	No
Distinctive Ring Detection	Yes for DEN/UK	Yes for DEN/UK	Yes for DEN/UK
TAD Interface	Yes	Yes	Yes
Enhanced Remote Activation	Yes	Yes	Yes
Automatic Redial	Yes	Yes	Yes
Next-FAX Reservation	Yes	Yes	Yes
Multi-Resolution Transmission	Yes	Yes	Yes
Polling Type	Sim/Sec/Del/Seq	Sim/Sec/Del/Seq	Sim/Sec/Del/Seq
Delayed Transmission	3-timer	3-timer	3-timer
Call Reservation	Yes	Yes	Yes
Electronic Coverpage	Yes-Super	Yes-Super	Yes-Super
Callback Message	Yes	Yes	Yes
Journal Report	Yes	Yes	Yes
TX Verification Report	Yes	Yes	Yes
Memory Capacity	512 KB (up to 20 pages for OPR*)	512 KB (up to 20 pages for OPR*)	512 KB (up to 20 pages for OPR*)
ECM	Yes	Yes	Yes
Broadcasting	Yes	Yes	Yes
Quick Scan	Yes	Yes	Yes

*Page memory: 20 pages ITU-T No.1 chart in OPR (out-of-paper reception) in the ECM mode

Model Name	FAX560	FAX580MC	MFC660MC
Multi-Copying w/ Sorting	Yes	Yes	Yes
Enlargement/Reduction Ratio	Yes (50-150%)	Yes (50-150%)	Yes (50-150%)
Multi-Transmission	No	No	No
Confidential Mailbox	No	No	No
Auto Reduction	Yes	Yes	Yes
Message Center	No	Yes	Yes
TAD Recording Time	No	15 minutes	15 minutes
Fax Forwarding/Paging	Yes	Yes	Yes
Fax Retrieval	Yes	Yes	Yes
Fax-/Voice-on-Demand	No	No	No
Fax & Voice Mailbox	No	No	No
Help List	Yes	Yes	Yes
Missing Link	No	Ready	Included
Optional Memory	No	No	No
Voice Alarm	No	No	No
Output Tray	Yes, wire included.	Yes, wire included.	Yes, wire included.
Others	Call Manage	Call Manage	Call Manage

Model Name	FAX-T72 (Ger & Fra Only)	FAX-T74	FAX-T76
Out-of-Paper Reception	Yes	Yes	Yes
Multi-Copying w/ Sorting	Yes	Yes	Yes
Enlargement/Reduction Ratio	Yes (50-150%)	Yes (50-150%)	Yes (50-150%)
Multi-Transmission	No (w/o SHIFT key)	No (w/o SHIFT key)	No (w/o SHIFT key)
Confidential Mailbox	No	No	No
Auto Reduction	Yes	Yes	Yes
Message Manager	No	No	Yes
TAD Recording Time	No	No	15 minutes
Fax Forwarding/Paging	Yes-Only Fax Forwarding	Yes-Only Fax Forwarding	Yes-both
Fax Retrieval	Yes	Yes	Yes
Fax-/Voice-on-Demand	No	No	No
Fax & Voice Mailbox	No	No	No
Help List	Yes	Yes	Yes
MFL PRO for FAX	No	No	Ready
Optional Memory	No	No	No
Memo Manager	No	No	No
Mute Key	No	Yes-music on hold; Green Sleeves	Yes-music on hold; Green Sleeves
Backup for Clock	9 hours	9 hours	15 hours
Output Tray	Not available	Not available	Not available
Backup for Page Memory	No	No	6 hours
Power Consumption	Standby: Less than 2 W Peak: 150 W	Standby: Less than 2 W Peak: 150 W	Standby: Less than 2 W Peak: 150 W

Remarks

	Base models		MC models
	w/o handset	w/ handset	
American models	—	FAX560	FAX580MC/MFC660MC
European models	FAX-T72	FAX-T74	FAX-T76

CHAPTER II.

INSTALLATION

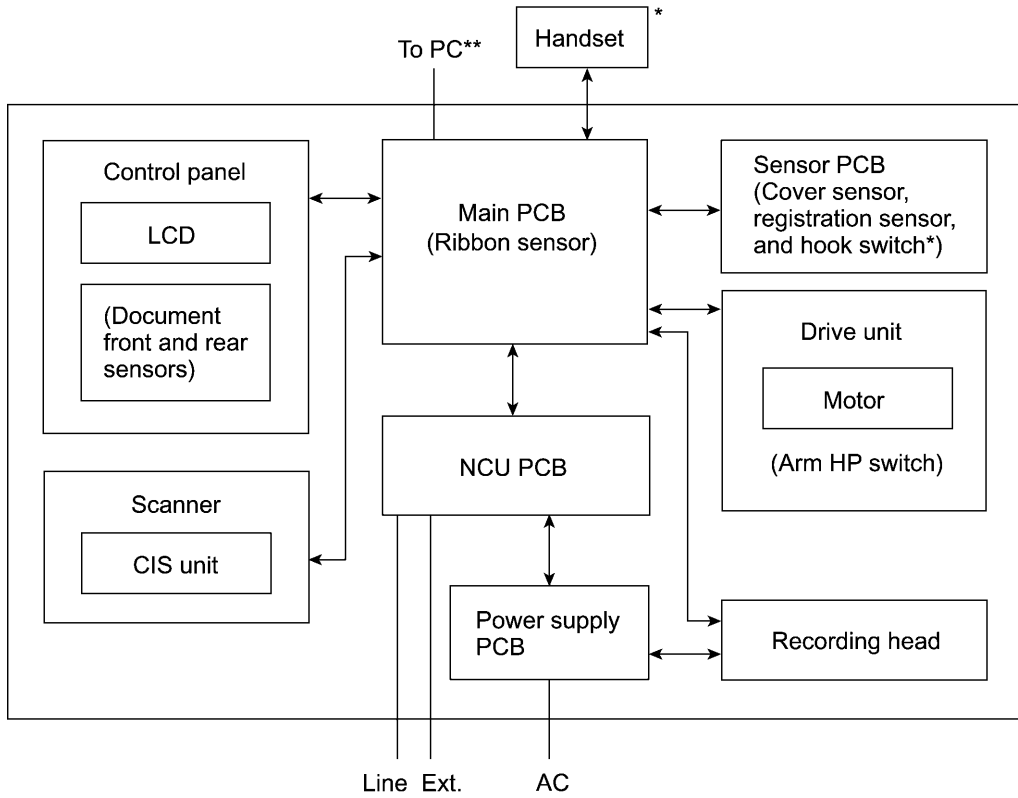
CHAPTER III.
THEORY OF OPERATION

CHAPTER III. THEORY OF OPERATION

CONTENTS

1. OVERVIEW.....	III-1
2. MECHANISMS.....	III-2
2.1 Scanning Mechanism.....	III-3
Automatic document feeder (ADF).....	III-3
Scanner	III-3
2.2 Printing Mechanism	III-3
Automatic cut sheet feeder (ACF) and registration mechanism	III-3
Printing and paper ejecting mechanism.....	III-3
2.3 Power Transmission Switching Mechanism.....	III-3
2.4 Sensors and Actuators.....	III-4
3. CONTROL ELECTRONICS.....	III-6
3.1 Configuration	III-6

1. OVERVIEW

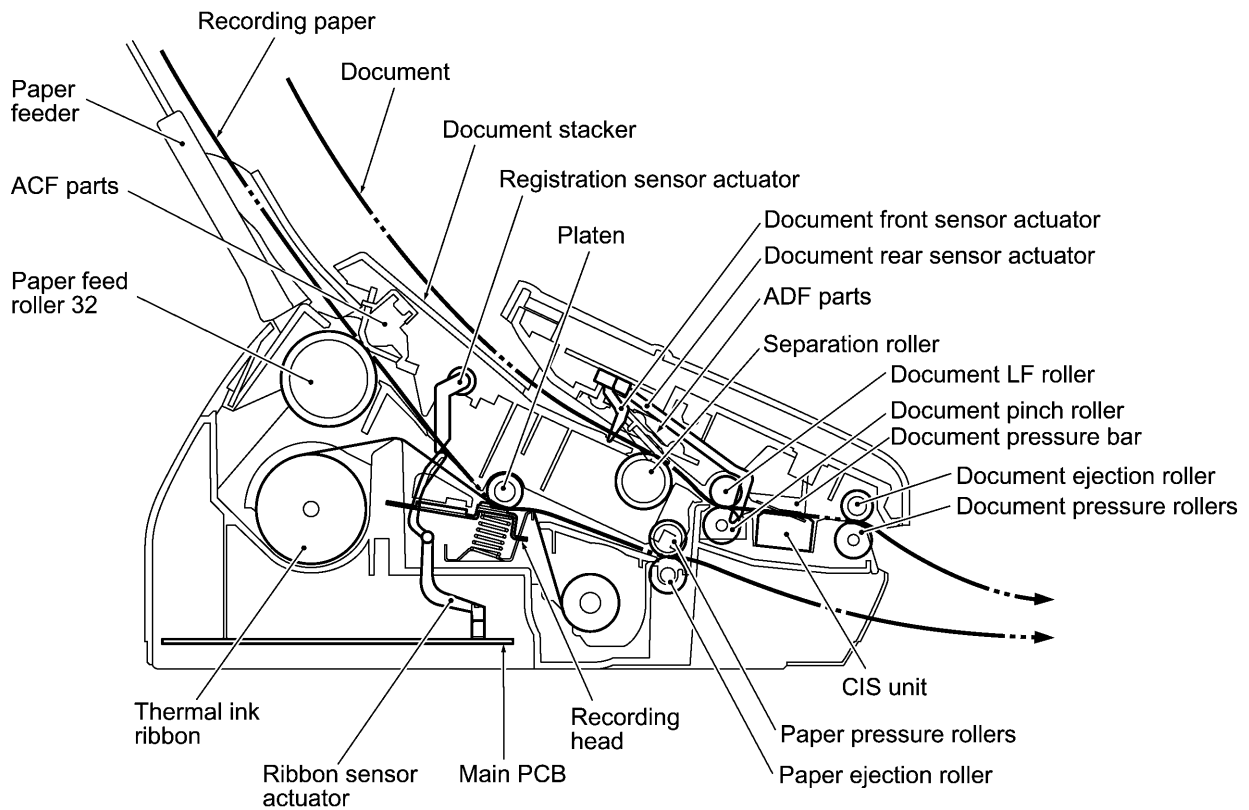


*Not provided on models w/o handset.
**Provided on MC models.

2. MECHANISMS

The facsimile equipment is classified into the following mechanisms:

- n Scanning Mechanism
 - ADF mechanism
 - Document scanning & feeding mechanism
- n Printing Mechanism
 - ACF and registration mechanism
 - Printing and paper ejecting mechanism
- n Power Transmission Switching Mechanism
- n Sensors and Actuators



2.1 Scanning Mechanism

The scanning mechanism consists of the document stacker, automatic document feeder (ADF), separation roller, document LF roller, scanner, document ejection roller, and document sensors. (For details about the sensors, refer to Section 2.4.)

Automatic document feeder (ADF)

If the operator sets documents on the stacker and starts the transmitting operation, the ADF (consisting of the separation roller and ADF parts) feeds those documents into the equipment, starting from the bottom sheet to the top, page by page. Each document advances to the scanner with the document LF roller, and then it is fed with the document ejection roller.

Scanner

The scanner uses a contact image sensor (CIS) unit which consists of an LED array illuminating documents, a self-focus lens array collecting the reflected light, a CIS PCB carrying out photoelectric conversion to output picture element data, and a cover glass on which a document advances. When the document passes between the document pressure bar and the cover glass, it is scanned.

2.2 Printing Mechanism

The printing mechanism consists of the paper feeder, automatic cut sheet feeder (ACF), paper feed roller 32, platen, thermal recording head, paper ejection roller, and sensors. (For details about the sensors, refer to Section 2.4.)

Automatic cut sheet feeder (ACF) and registration mechanism

If the operator sets cut sheets into the paper feeder and receiving operation starts, the ACF (paper feed roller 32 and ACF parts) feeds paper into the equipment, a sheet at a time. After the leading edge of paper passes through the registration sensor actuator, the paper is further fed for the specified time length. Accordingly, the leading edge will reach the platen where the paper skew will be eliminated.

Printing and paper ejecting mechanism

The platen feeds the paper up to the printing position where the thermal recording head prints while the thermal ink ribbon advances. Then the paper is fed out of the equipment with the paper ejection roller.

2.3 Power Transmission Switching Mechanism

The facsimile equipment has a single drive motor whose power transmission route can be switched by the planetary gear system and by changing the motor rotation direction. This switching allows the equipment to function in five operation modes—scanning, paper feeding, recording, paper ejecting, and copying modes.

To switch to a particular mode, the motor rotates in the reverse direction. If the switching arm of the planet gear ASSY turns on the arm HP switch, the motor further rotates by the specified number of pulses to locate the planet gear ASSY in the particular mode position. Then the motor rotates in the forward direction to enter the particular mode.

2.4 Sensors and Actuators

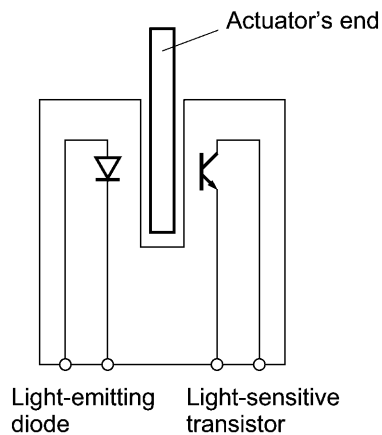
This equipment has two photosensors and five mechanical switches as described below.

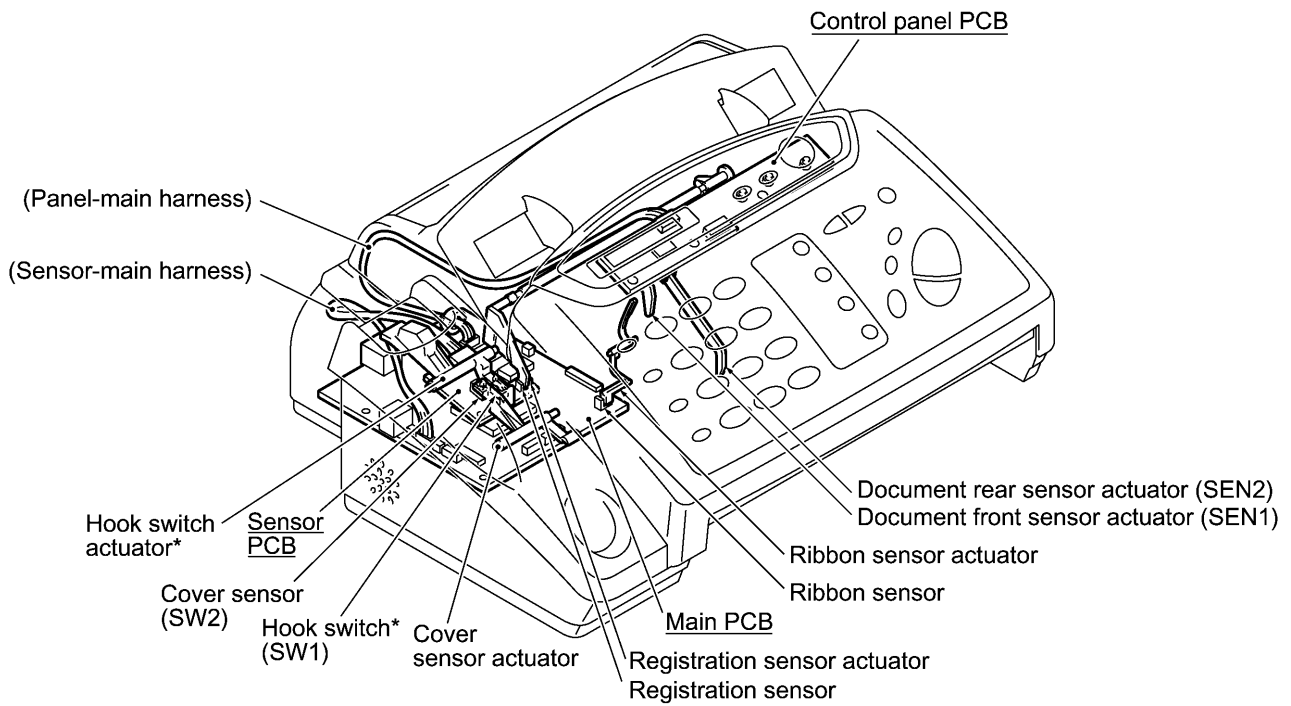
Sensor name	Type	Located on
Document front sensor	Microswitch (SEN1)	Control panel PCB
Document rear sensor	Microswitch (SEN2)	Control panel PCB
Cover sensor	Microswitch (SW2)	Sensor PCB
Hook switch*	Microswitch (SW1)	Sensor PCB
Registration sensor	Photosensor	Sensor PCB
Ribbon sensor	Photosensor	Main PCB
Arm HP switch	Leaf switch	Drive unit

*Not provided on models w/o handset.

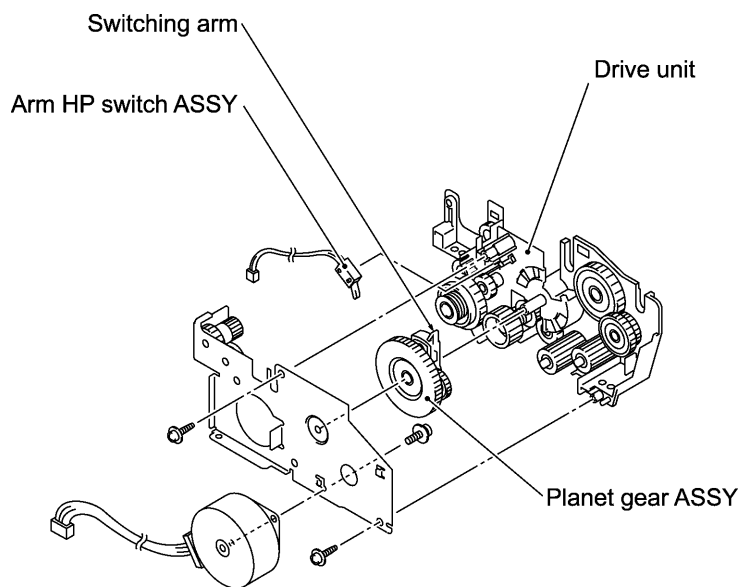
- Document front sensor which detects the presence of documents.
- Document rear sensor which detects the leading and trailing edges of pages to tell the control circuitry when the leading edge of a new page has reached the starting position and when the scan for that page is over.
- Cover sensor which detects whether the control panel ASSY is closed.
- Hook switch sensor* which detects whether the handset is placed on the handset mount.
- Registration sensor which detects the leading and trailing edges of recording paper, which allows the controller to determine the registration timing and check paper jam.
- Ribbon sensor which detects whether the ink ribbon is loaded.
- Arm HP switch which detects whether the switching arm of the drive unit is placed in the home position.

The registration sensor and ribbon sensor is a photointerrupter consisting of a light-emitting diode and a light-sensitive transistor. Each of them has an actuator separately arranged (see the next page). When an actuator is not activated, its black end lies in the path of light issued from the light-emitting diode and interrupts its light so that the emitted light does not enter the light-sensitive transistor. If paper or ribbon comes in so as to activate the actuator, the actuator's black end goes out of the light path and the emitted light enters the light-sensitive transistor. This way, the sensor detects the presence of paper or ink ribbon.





*Not provided on models w/o handset.

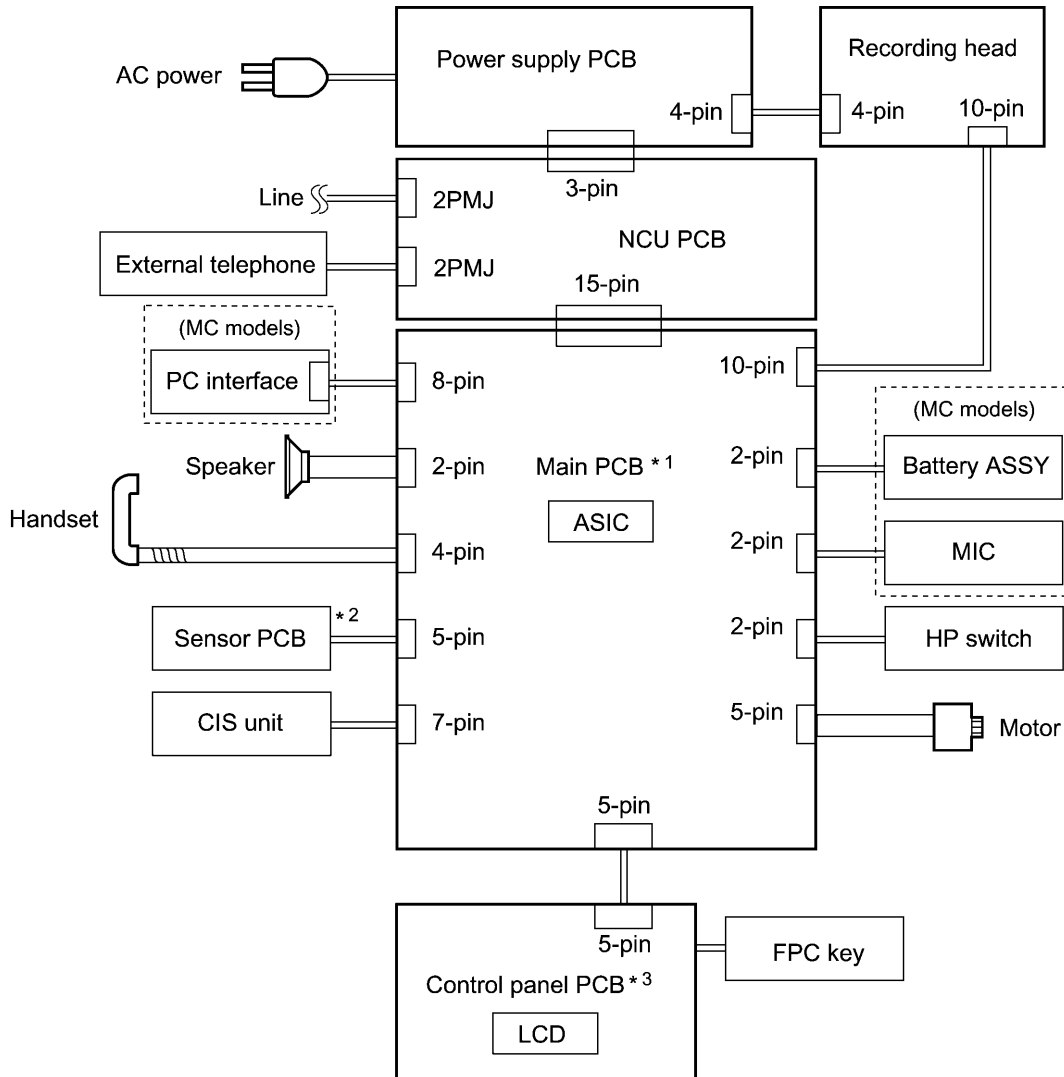


Location of Sensors and Actuators

3. CONTROL ELECTRONICS

3.1 Configuration

The hardware configuration of the facsimile equipment is shown below.



*1 On the main PCB is the ribbon sensor.

*2 On the sensor PCB are these sensors:
 | Cover sensor (SW2)
 | Hook switch* (SW1)
 | Registration sensor

*3 On the control panel PCB are these sensors:
 | Document front sensor (SEN1)
 | Document rear sensor (SEN2)

Configuration of Facsimile Equipment

CHAPTER IV.
DISASSEMBLY/REASSEMBLY AND
LUBRICATION

CHAPTER IV. DISASSEMBLY/REASSEMBLY AND LUBRICATION

CONTENTS

1. DISASSEMBLY/REASSEMBLY	IV-1
n Safety Precautions.....	IV-1
<u>Tightening Torque List</u>	IV-2
n Preparation.....	IV-3
n How to Access the Object Component	IV-3
n Disassembly Order Flow	IV-4
1.1 Cover Stopper Link, Ribbon Shaft Stopper, ROM Cover, and Control Panel ASSY	IV-5
1.2 Disassembly of the Control Panel ASSY (Document pressure bar and chute cover ASSY)	IV-7
1.3 Disassembly of the Chute Cover ASSY (Paper pressure rollers, separation roller, paper feed roller 32, platen, registration sensor actuator, and lock bar & lock levers)	IV-10
1.4 Disassembly of the Control Cover Sub ASSY (ACF parts, ADF parts, panel rear cover, control panel PCB, FPC key, LCD, and keys)	IV-17
1.5 Handset Mount* ¹ , Dummy Mount* ² , Battery ASSY* ³ , Sensor PCB, Cover Sensor Actuator, and Hook Switch Actuator* ¹	IV-21
1.6 Paper Ejection Roller, Document LF Roller, and Document Ejection Roller	IV-24
1.7 Head Protector, Recording Head ASSY, and Recorder Frame.....	IV-25
1.8 Drive Unit, Motor, and Arm HP Switch ASSY	IV-28
1.9 Speaker.....	IV-32
1.10 Lower Cover, Support Plate, and CIS Spring	IV-33
1.11 CIS Film and CIS Unit	IV-34
1.12 Document Pressure Rollers and Document Pinch Roller.....	IV-36
1.13 Bottom Plate, Main PCB, NCU PCB, Power Supply PCB, and Ribbon Sensor Actuator.....	IV-38
2. LUBRICATION.....	IV-43
[1] Separation roller and its gear and paper feed roller 32 and its gear.....	IV-43
[2] Platen gear (Gear 24) and joint between gears 32 and chute cover ASSY.....	IV-44
[3] Paper ejection roller, document LF roller, and document ejection roller ..	IV-45

1. DISASSEMBLY/REASSEMBLY

n Safety Precautions

To prevent the creation of secondary problems by mishandling, observe the following precautions during maintenance work.

- (1) Unplug the power cord from the power outlet before replacing parts or units. When having access to the power supply, be sure to unplug the power cord from the power outlet.
- (2) Be careful not to lose screws, washers, or other parts removed for parts replacement.
- (3) When using soldering irons and other heat-generating tools, take care not to damage the resin parts such as wires, PCBs, and covers.
- (4) Before handling the PCBs, touch a metal portion of the equipment to discharge static electricity; otherwise, the electronic parts may be damaged due to the electricity charged in your body.
- (5) When transporting PCBs, be sure to wrap them in conductive sheets such as aluminum foil.
- (6) Be sure to reinsert self-tapping screws correctly, if removed.
- (7) Tighten screws to the torque values listed on the next page.
- (8) When connecting or disconnecting cable connectors, hold the connector bodies not the cables. If the connector has a lock, always slide the connector lock to unlock it.
- (9) Before reassembly, apply the specified lubricant to the specified points. (Refer to Section 2 in this chapter.)
- (10) After repairs, check not only the repaired portion but also that the connectors and other related portions function properly before operation checks.

Tightening Torque List

Location	Screw type	Q'ty	Tightening torque N•m (kgf•cm)	Loosening torque N•m (kgf•cm)
Cover stopper link	Taptite, pan B M4x6D10	1	0.69 ±0.20 (7 ±2)	Min. 0.40 (4.0)
ROM cover	Taptite, cup B M3x8	1	0.39 ±0.20 (4 ±2)	Min. 0.20 (2.0)
Chute cover ASSY	Taptite, cup B M3x8	4	0.39 ±0.20 (4 ±2)	Min. 0.20 (2.0)
ACF parts	Taptite, bind B M3x8	4	0.39 ±0.20 (4 ±2)	Min. 0.15 (1.5)
ADF parts	Taptite, pan B M3x6	1	0.39 ±0.20 (4 ±2)	Min. 0.10 (1.0)
Panel rear cover	Taptite, cup B M3x8	4	0.39 ±0.20 (4 ±2)	Min. 0.15 (1.5)
Control panel PCB	Taptite, cup B M3x8	2 (1)*	0.39 ±0.20 (4 ±2)	Min. 0.20 (2.0)
Handset mount	Taptite, cup B M3x8	1	0.49 ±0.20 (5 ±2)	Min. 0.15 (1.5)
Sensor PCB	Taptite, cup B M3x8	1	0.39 ±0.20 (4 ±2)	Min. 0.20 (2.0)
Recorder frame	Taptite, cup B M3x8	2	0.49 ±0.20 (5 ±2)	Min. 0.20 (2.0)
Drive unit	Taptite, cup B M3x8	2	0.49 ±0.20 (5 ±2)	Min. 0.20 (2.0)
Sub frame ASSY	Taptite, cup B M3x8	2	0.49 ±0.20 (5 ±2)	Min. 0.20 (2.0)
Motor	Screw, pan (spring washer) M3x6	1	0.69 ±0.20 (7 ±2)	Min. 0.34 (3.5)
Lower cover	Taptite, cup B M3x8	2	0.49 ±0.20 (5 ±2)	Min. 0.15 (1.5)
CIS spring	Taptite, cup B M3x8	1	0.39 ±0.20 (4 ±2)	Min. 0.20 (2.0)
CIS holder	Taptite, cup B M3x8	1	0.39 ±0.20 (4 ±2)	Min. 0.20 (2.0)
	Taptite, bind B M3x8	1	0.39 ±0.10 (4 ±1)	Min. 0.20 (2.0)
Bottom plate	Taptite, cup B M3x8	5	0.49 ±0.20 (5 ±2)	Min. 0.15 (1.5)
(Drive unit)	Taptite, cup S M3x6	1	0.69 ±0.20 (7 ±2)	Min. 0.40 (4.0)
Grounding wire	Screw, pan (plain washer) M4x6DB	1	0.69 ±0.20 (7 ±2)	Min. 0.40 (4.0)
Main PCB	Taptite, cup B M3x8	1	0.49 ±0.20 (5 ±2)	Min. 0.15 (1.5)

* The control panel PCB of base models is secured with a single screw.

n Preparation

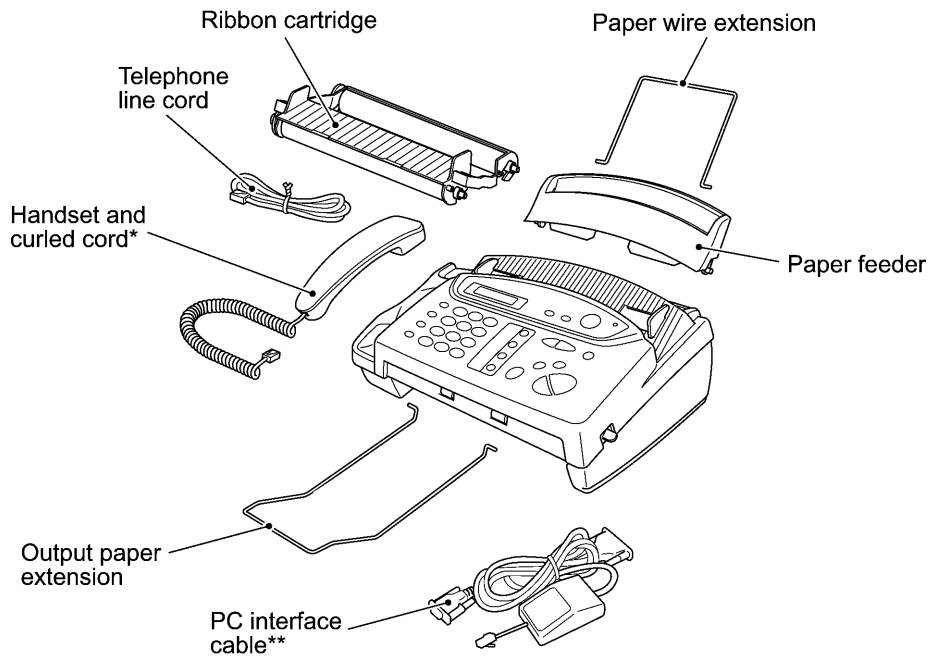
Prior to proceeding to the disassembly procedure,

(1) Unplug

- the modular jack of the telephone line,
- the modular jack of the curled cord* (and remove the handset*),
- the PC interface cable** and
- the modular jack of an external telephone set if connected. (Not shown below.)

(2) Remove

- the paper wire extension and paper feeder
- the output paper extension, and
- the ribbon cartridge.



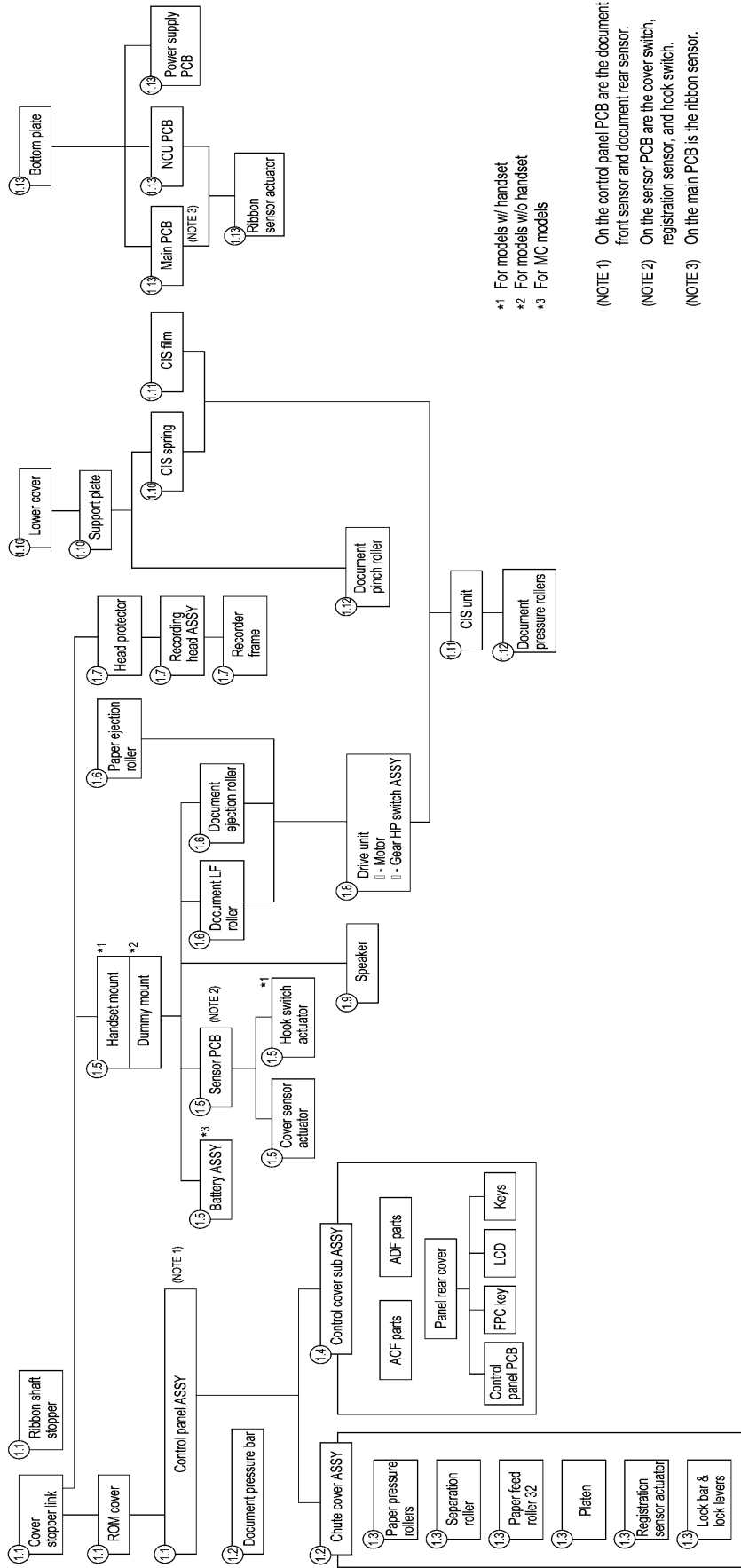
*Not provided on the FAX-T72.

**Provided on the MFC660MC.

n How to Access the Object Component

- On the next page is a disassembly order flow which helps you access the object components. To remove the motor, for example, first find it on the flow and learn its number (1.8 in this case). You need to remove parts numbered 1.1, 1.5, and 1.6 so as to access the motor.
- Unless otherwise specified, the disassembled parts or components should be reassembled in the reverse order of removal.

Disassembly Order Flow

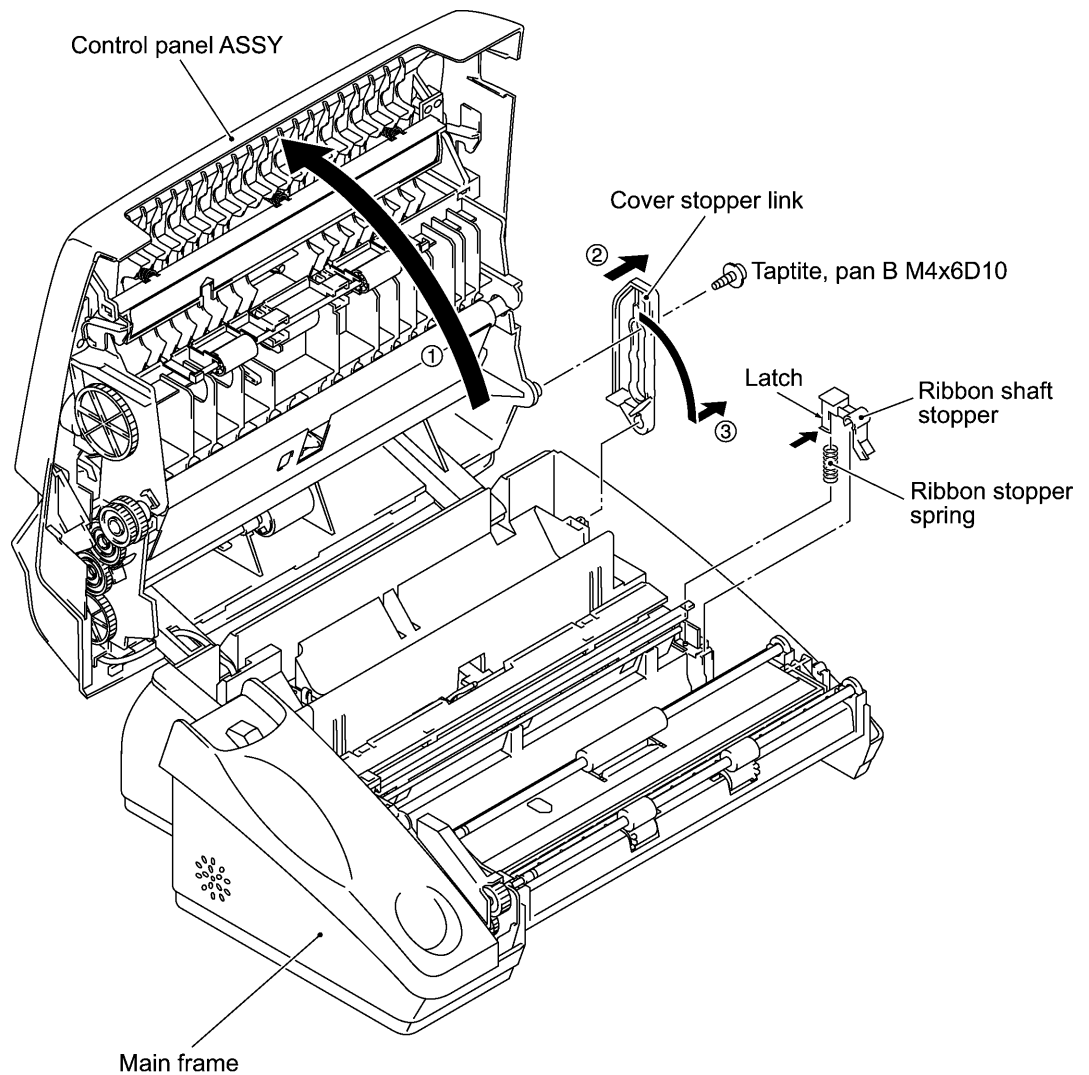


*1 For models w/ handset
 *2 For models w/o handset
 *3 For MC models

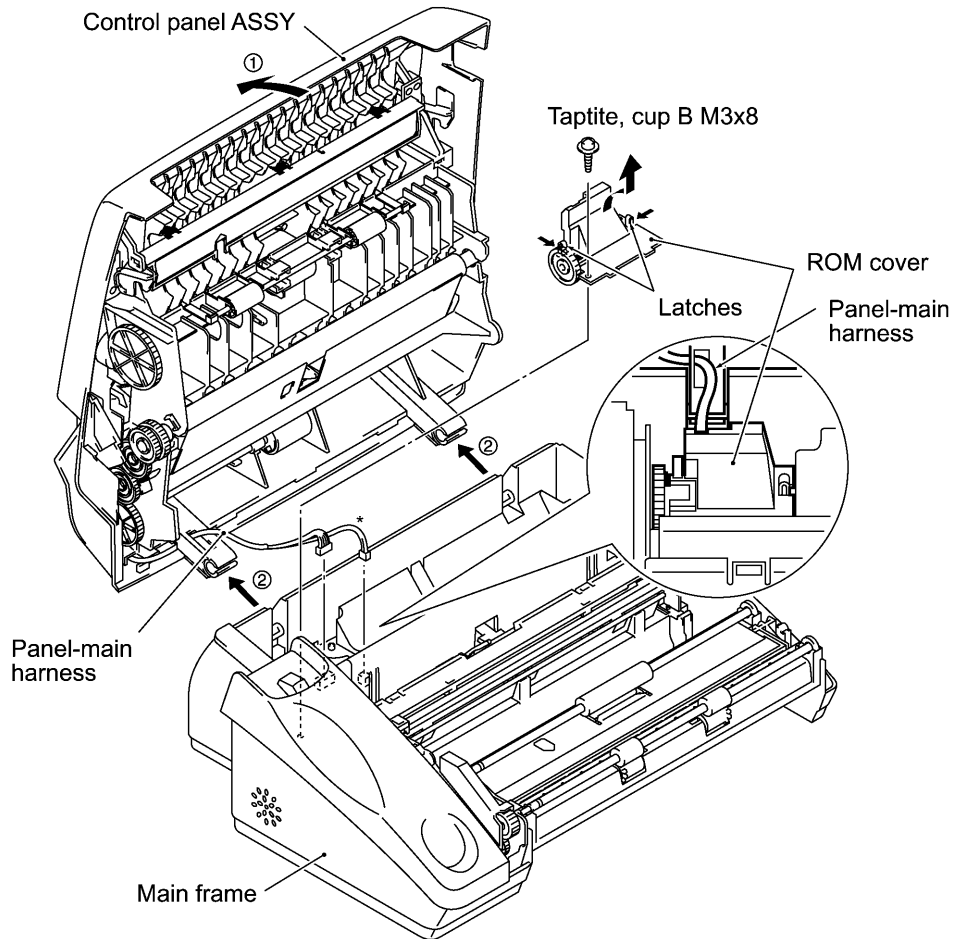
(NOTE 1) On the control panel PCB are the document front sensor and document rear sensor.
 (NOTE 2) On the sensor PCB are the cover switch, registration sensor, and hook switch.
 (NOTE 3) On the main PCB is the ribbon sensor.

1.1 Cover Stopper Link, Ribbon Shaft Stopper, ROM Cover, and Control Panel ASSY

- (1) Open the control pane ASSY (in the direction of arrow •).
- (2) Remove the screw from the cover stopper link. Pull the link outwards (arrow ,) to release it from the control panel ASSY and then turn it to the front (arrow *f*) to remove.
- (3) Press the latch of the ribbon shaft stopper with a screwdriver to release it from the main frame. The spring also comes off.



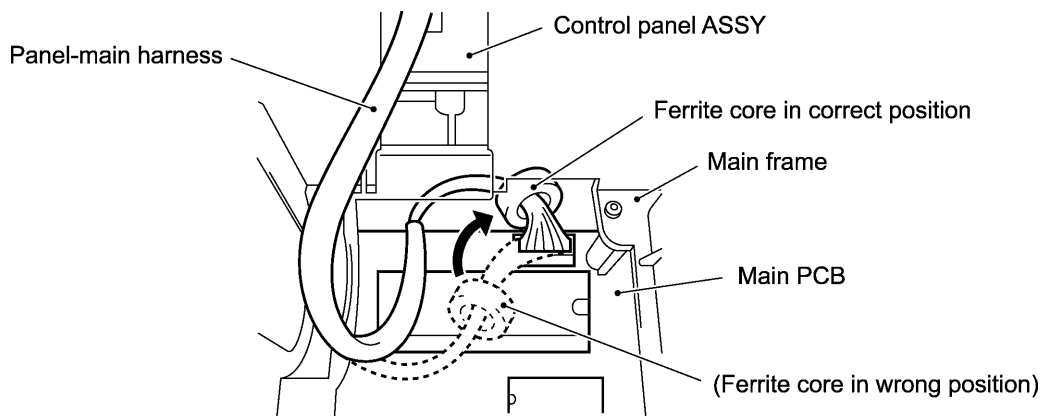
- (4) Remove the screw from the ROM cover. Unlatch the ROM cover and take it up.
- (5) Disconnect the panel-main harness from the main PCB.



*MIC harness not provided on base models.

n Reassembling Notes

- When connecting the panel-main harness to the main PCB, place the ferrite core as illustrated below.

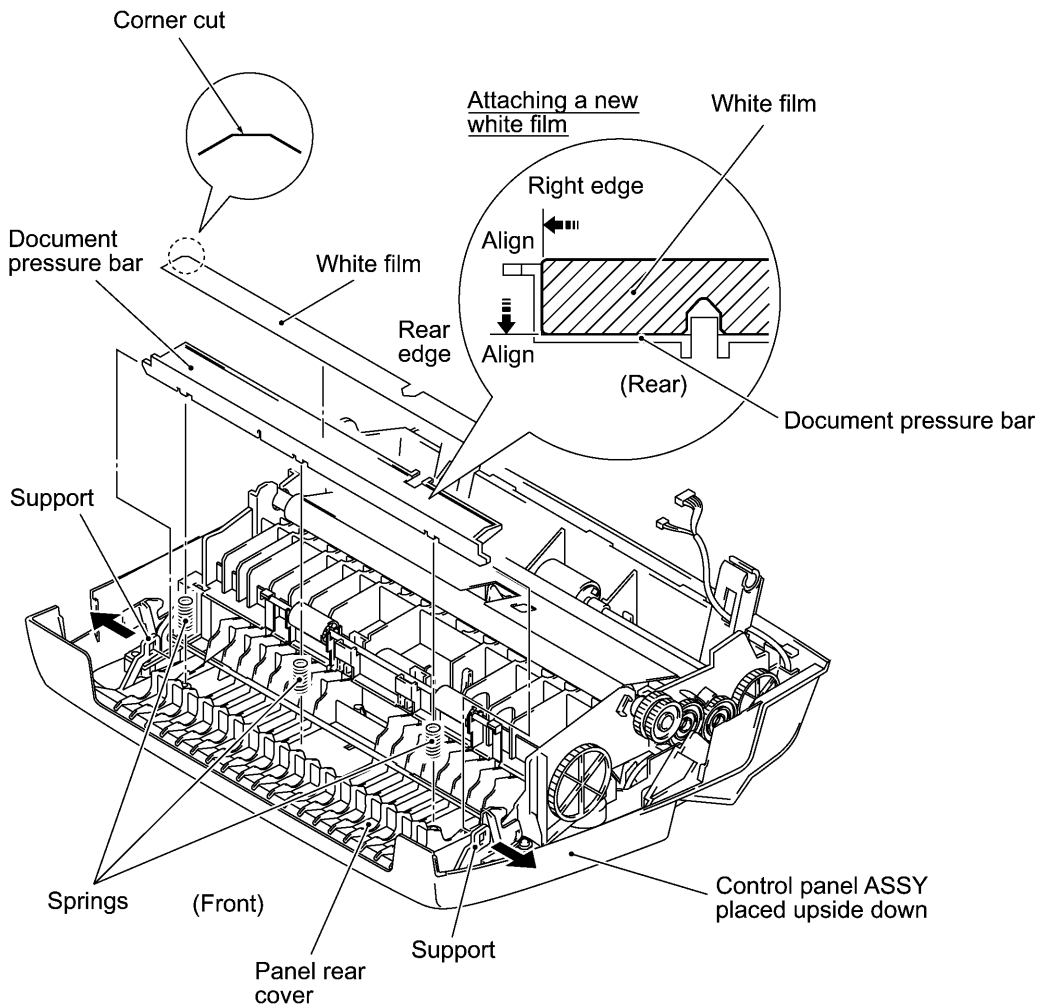


1.2 Disassembly of the Control Panel ASSY (Document pressure bar and chute cover ASSY)

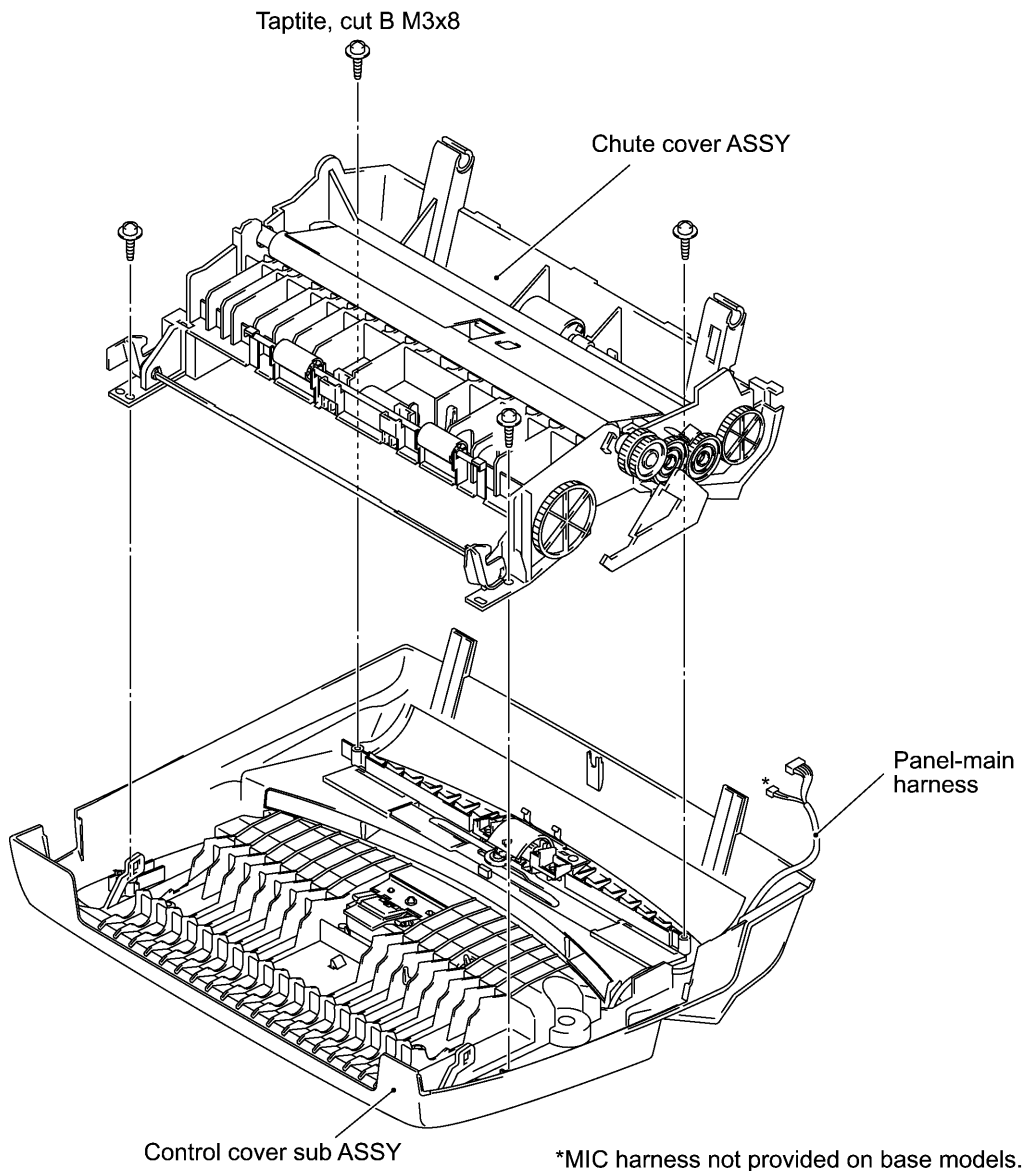
- (1) Place the control panel ASSY upside down.
- (2) Pull either of the supports provided on the panel rear cover outwards and lift up the document pressure bar. The three springs also come off.
- (3) To replace the white film of the document pressure bar, remove it.

NOTE: Once removed, the white film will become unusable and a new one will have to be put back in.

NOTE: When attaching a new white film to the document pressure bar, align the right and rear edges as shown below.

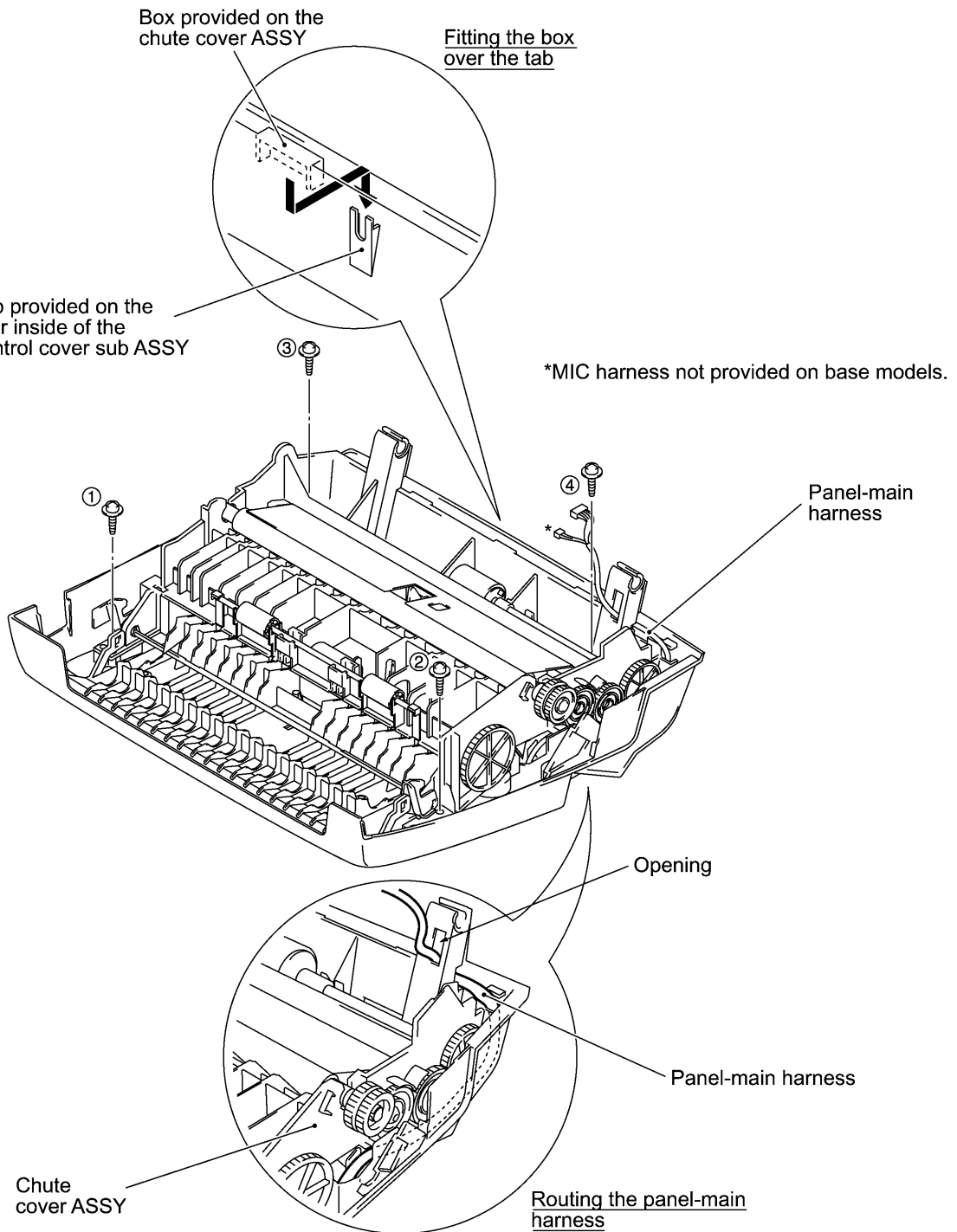


- (4) Remove four screws from the chute cover ASSY.
- (5) Slightly lift up the chute cover ASSY and remove the panel-main harness from the chute cover ASSY.



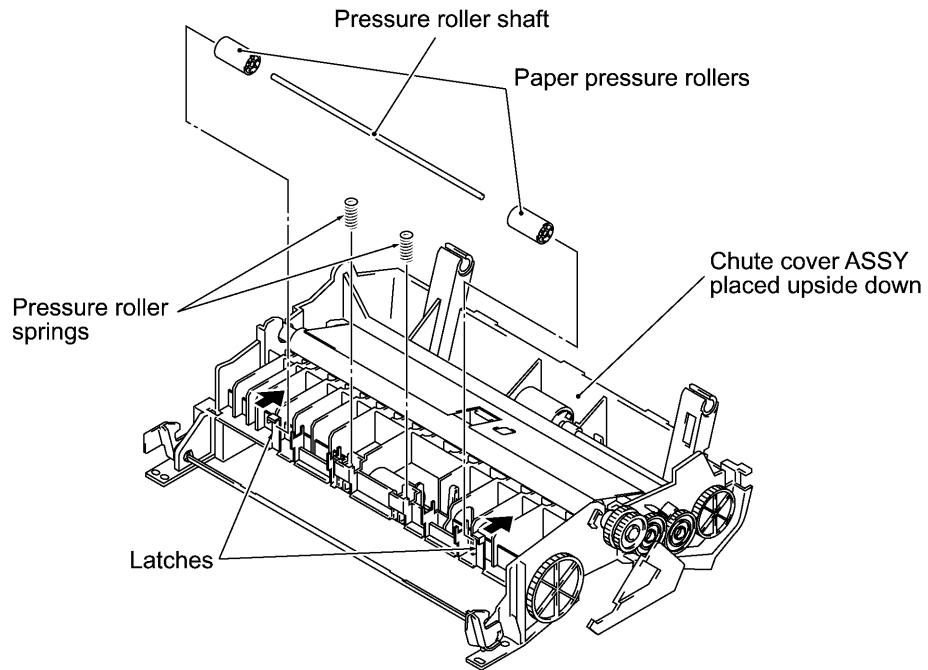
n Reassembling Notes

- When reinstalling the chute cover ASSY, first pass the panel-main harness through the opening provided in the chute cover ASSY and route it as shown below. Then place the chute cover ASSY onto the control sub ASSY so that the box on the chute cover ASSY becomes fitted over the tab on the control cover sub ASSY. Tighten four screws in the order shown below.

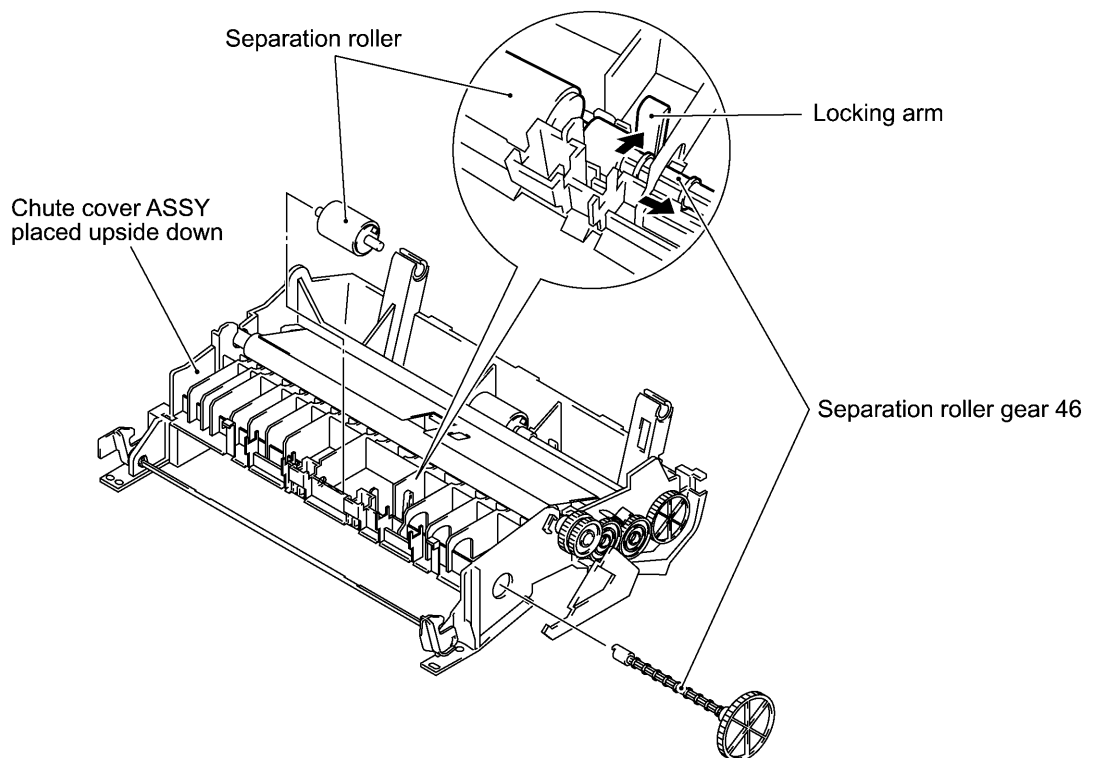


**1.3 Disassembly of the Chute Cover ASSY
(Paper pressure rollers, separation roller, paper feed roller 32, platen, registration sensor actuator, and lock bar & lock levers)**

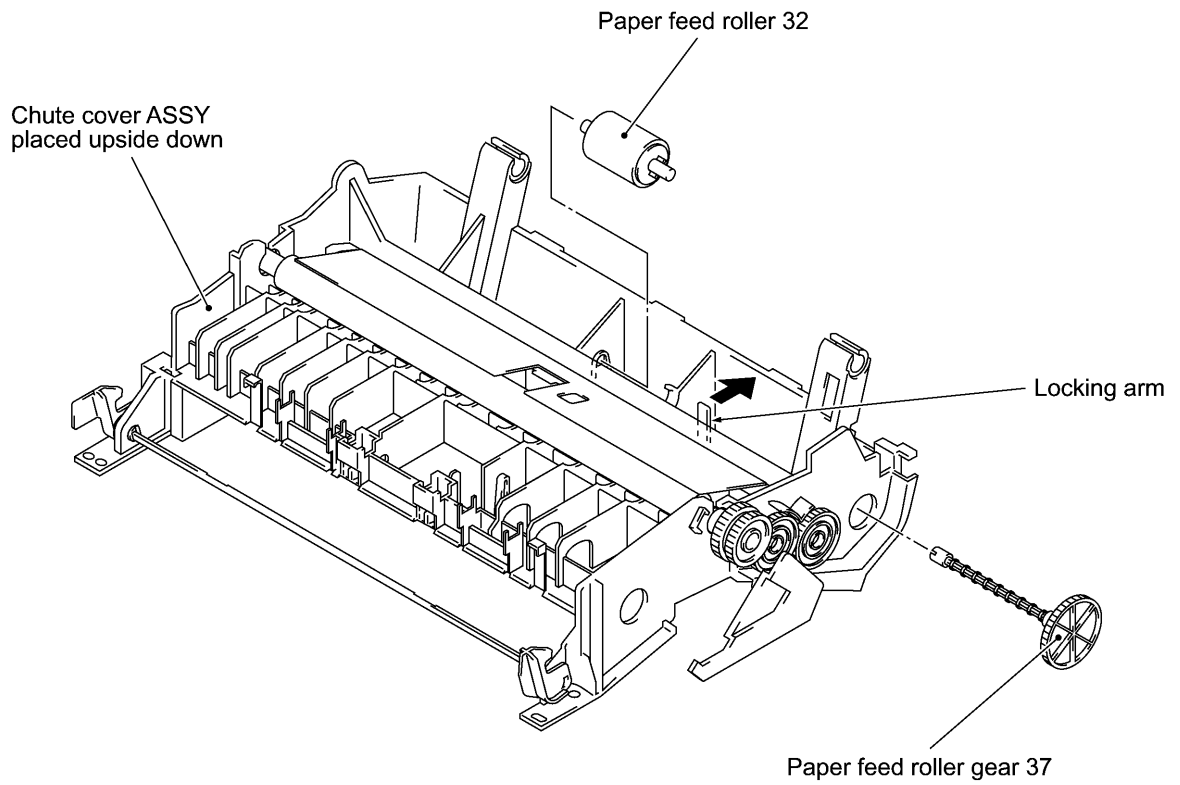
- (1) Press the latches to release the pressure roller shaft and take out the paper pressure rollers and their shaft. The springs also come off.



- (2) Press the locking arm and pull out the separation roller gear 46. Take out the separation roller.

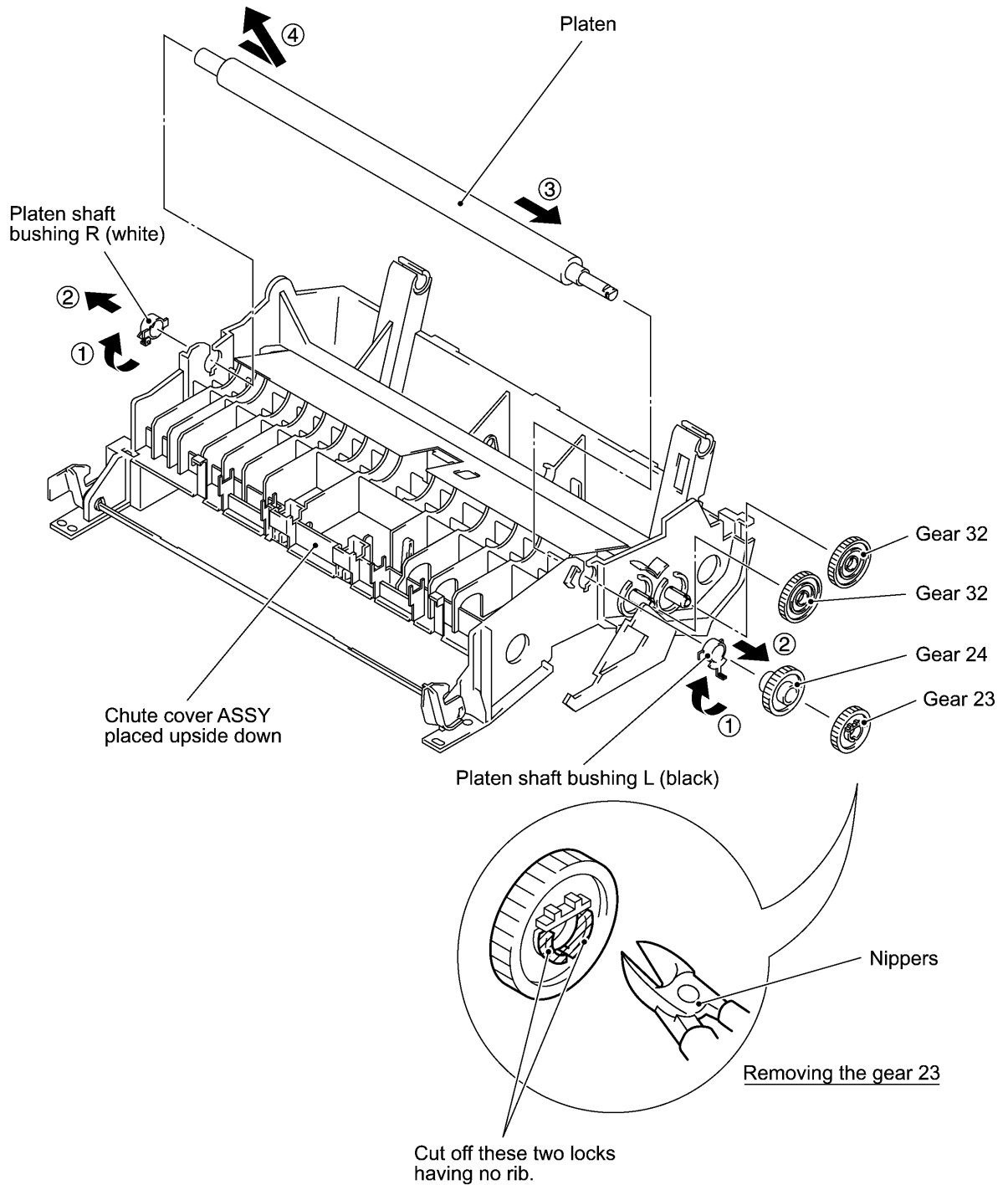


- (3) Press the locking arm and pull out the paper feed roller gear 37. Take out the paper feed roller 32.



(4) To replace the platen, remove gear 23 by cutting off the two locks (having no rib) out of three with nippers. Then remove gear 24, platen shaft bushings, and platen in the direction of the arrows shown below.

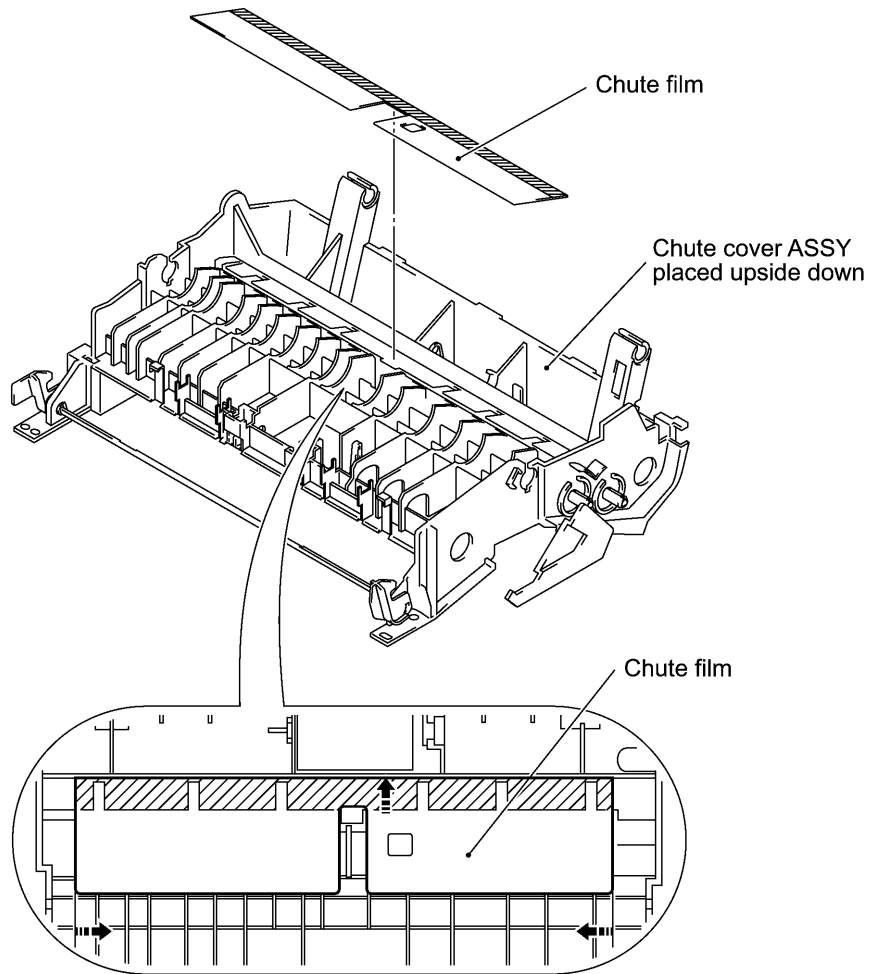
NOTE: Do not remove the platen except when the platen is defective and requires replacement. When placing an order for a platen, also order gear 23.



(5) Remove the chute film.

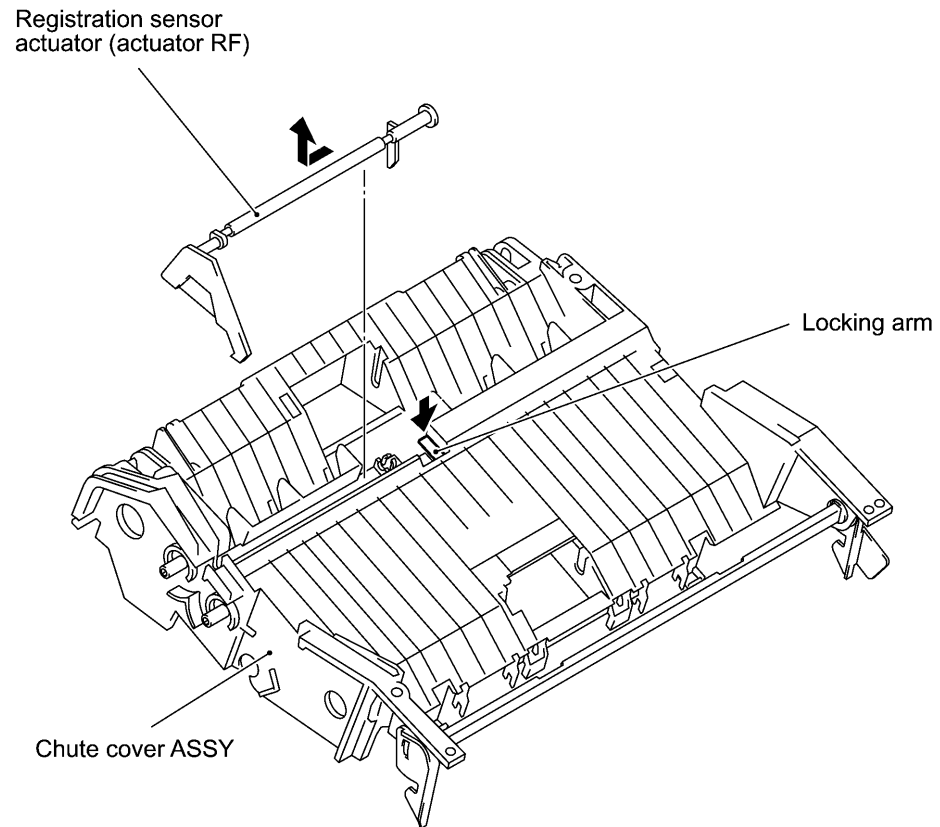
NOTE: Once removed, the chute film will become unusable and a new one will have to be put back in.

NOTE: When attaching a new chute film to the chute cover ASSY, fit the rear edge as shown below.

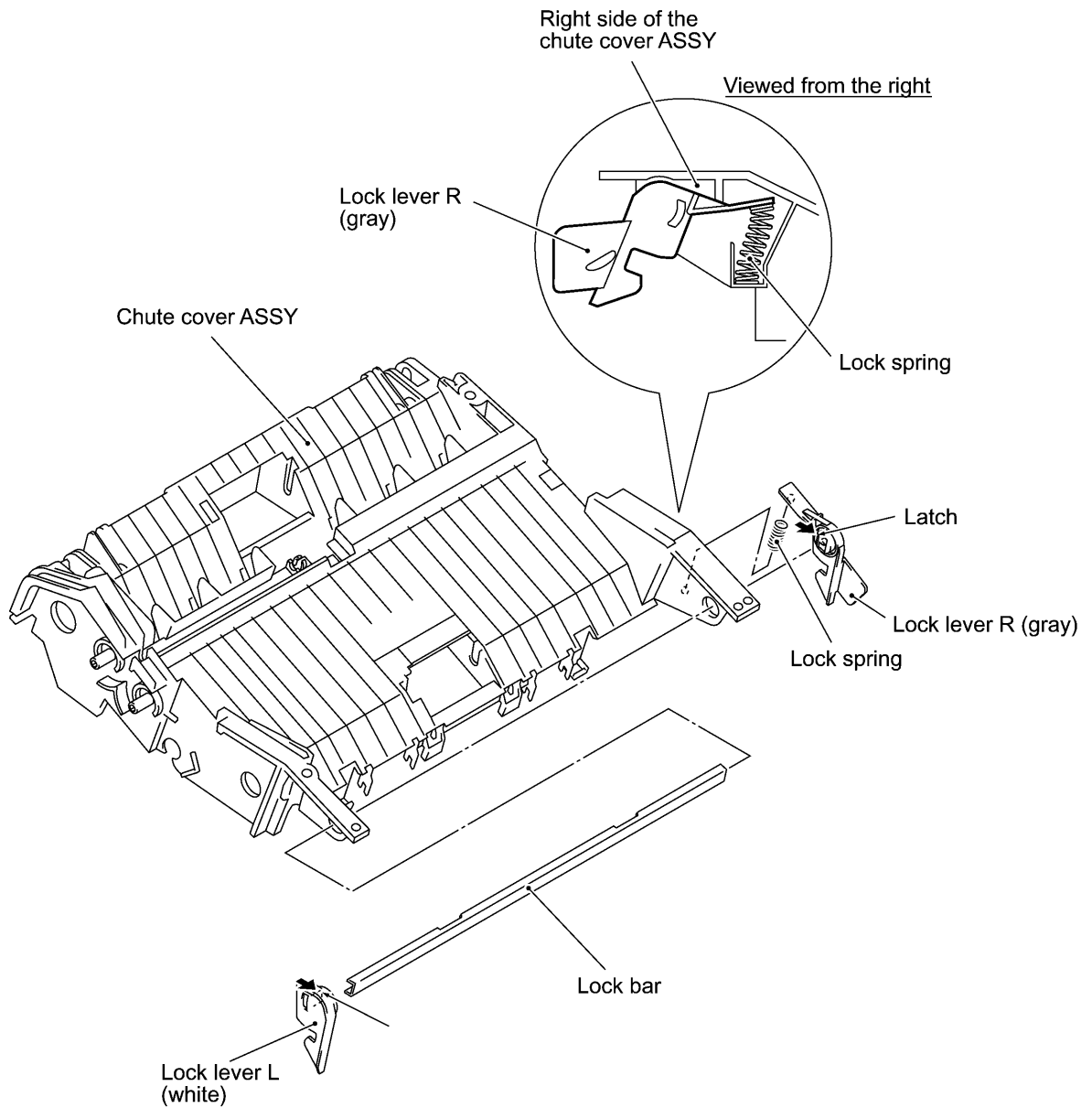


Attaching a new chute film

- (6) Lightly press the locking arm and remove the registration sensor actuator (actuator RF) in the direction of the arrow.



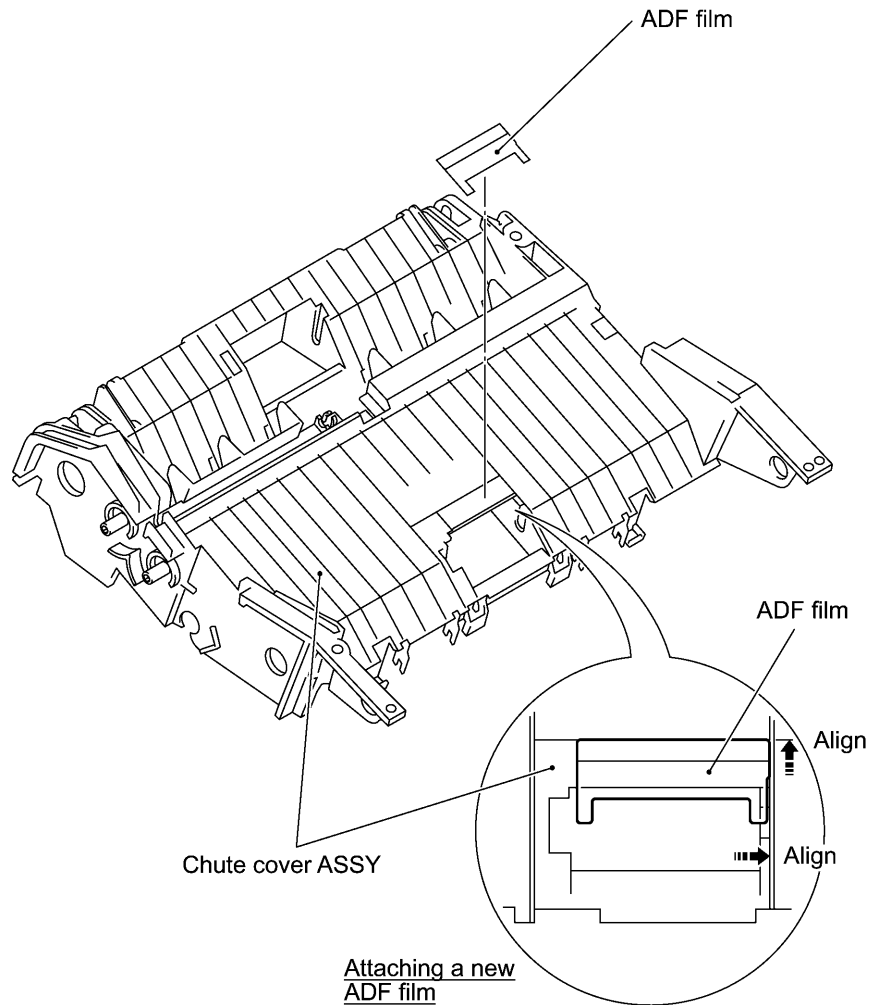
- (7) At the right end of the lock bar, release the latch of the lock lever R (gray) and pull it out to the right. The lock spring also comes off. At the left side, release the latch of the lock lever L (white) and pull it out to the left.



(8) Remove the ADF film.

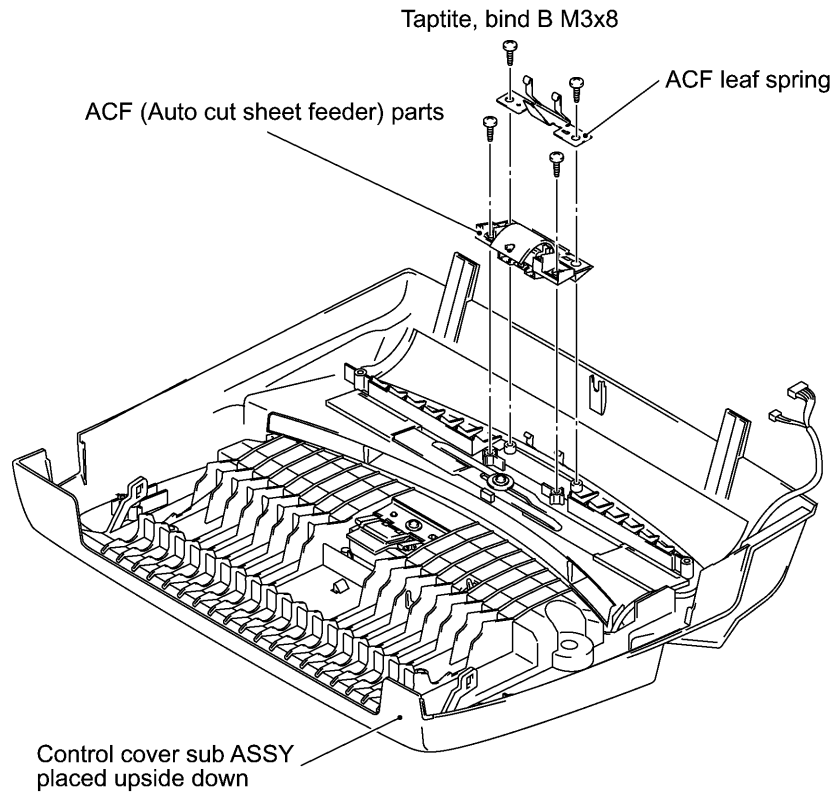
NOTE: Once removed, the ADF film will become unusable and a new one will have to be put back in.

NOTE: When attaching a new ADF film, align the right and rear edges as shown below.

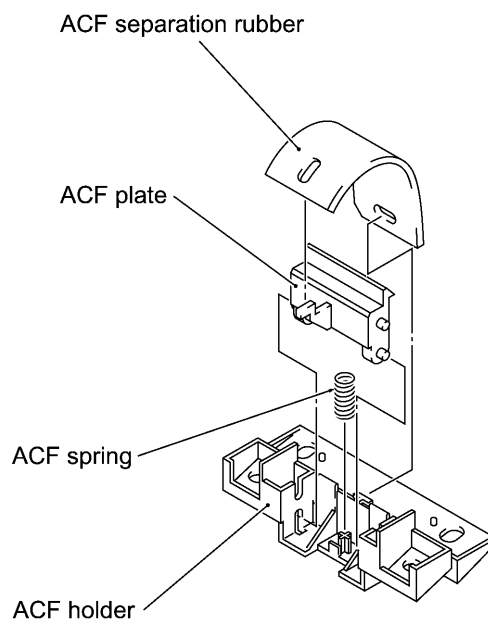


**1.4 Disassembly of the Control Cover Sub ASSY
(ACF parts, ADF parts, panel rear cover, control panel PCB, FPC key, LCD, and keys)**

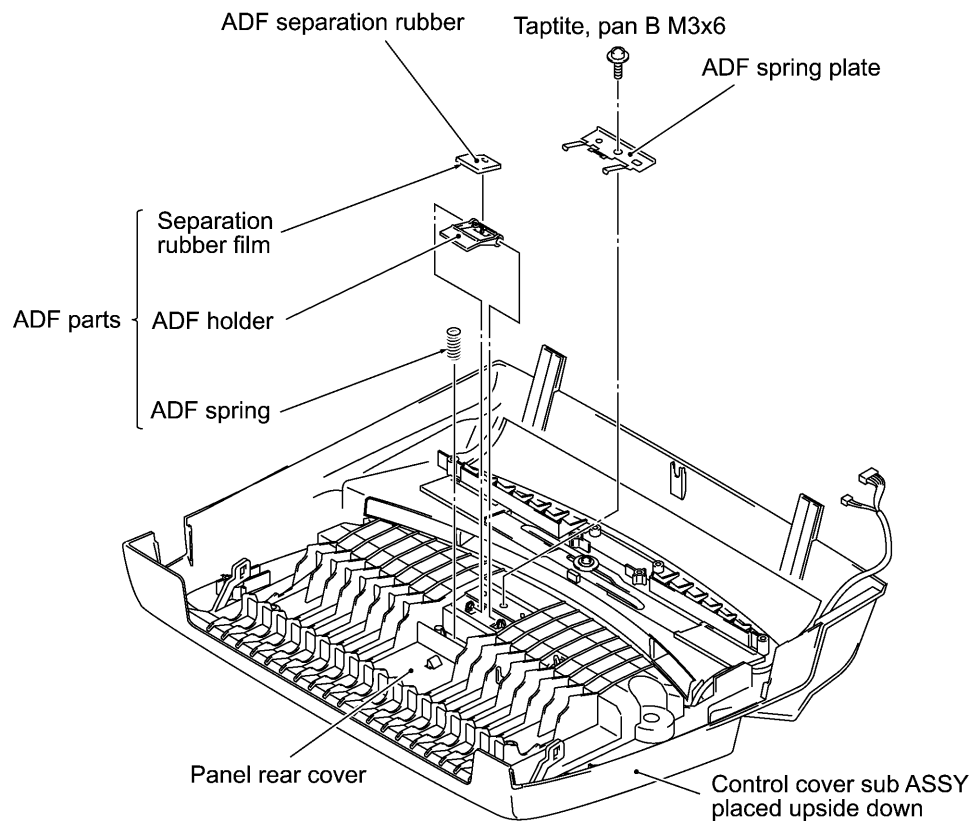
- (1) Remove the two screws to release the ACF (auto cut sheet feeder) leaf spring.
- (2) Remove two screws to release the ACF parts.



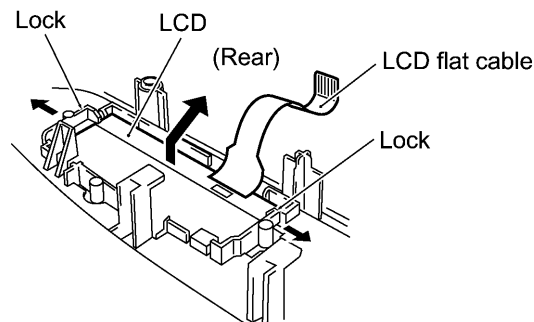
- (3) Disassemble the ACF parts as illustrated below.

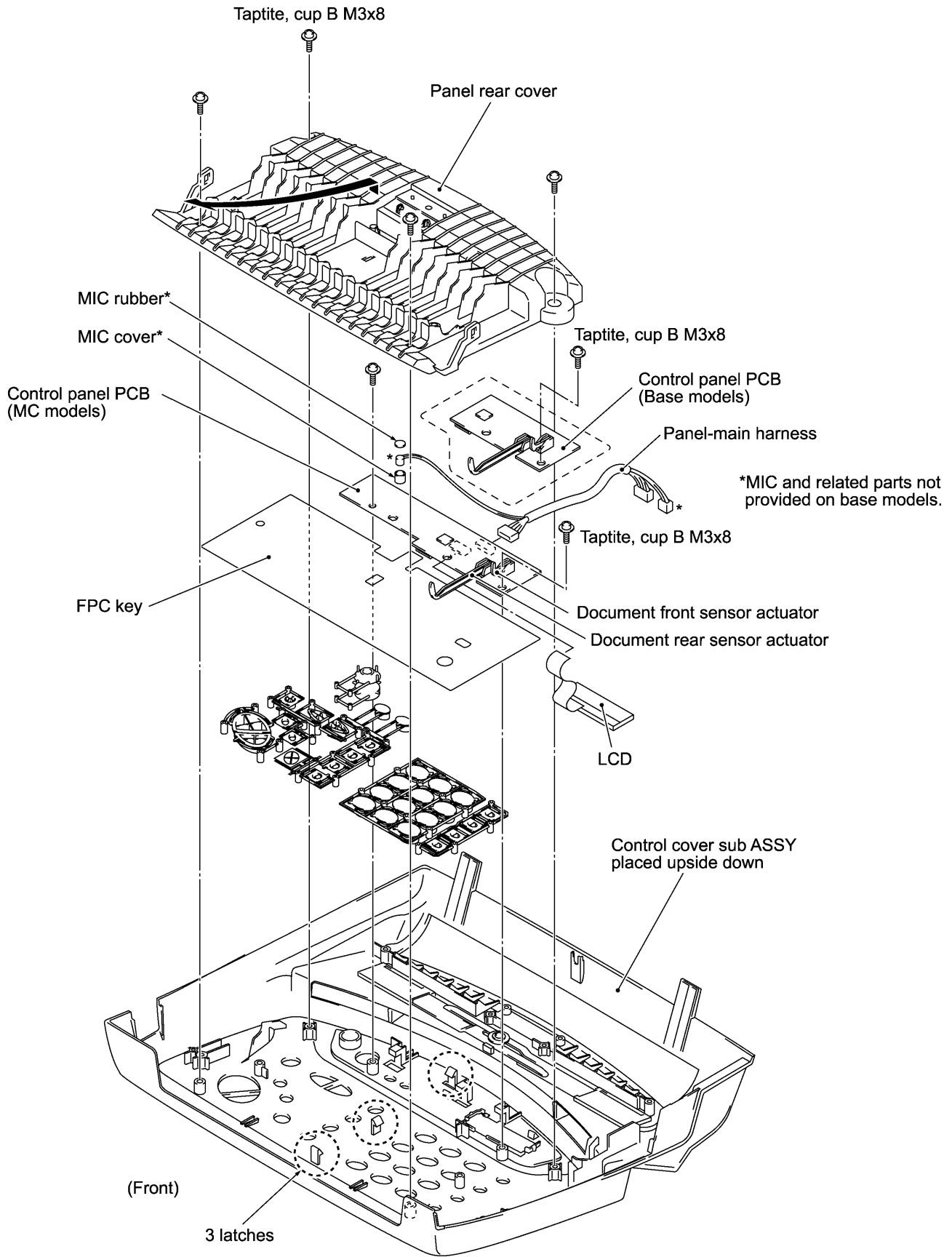


- (4) Remove the screw and disassemble the ADF parts as illustrated below.



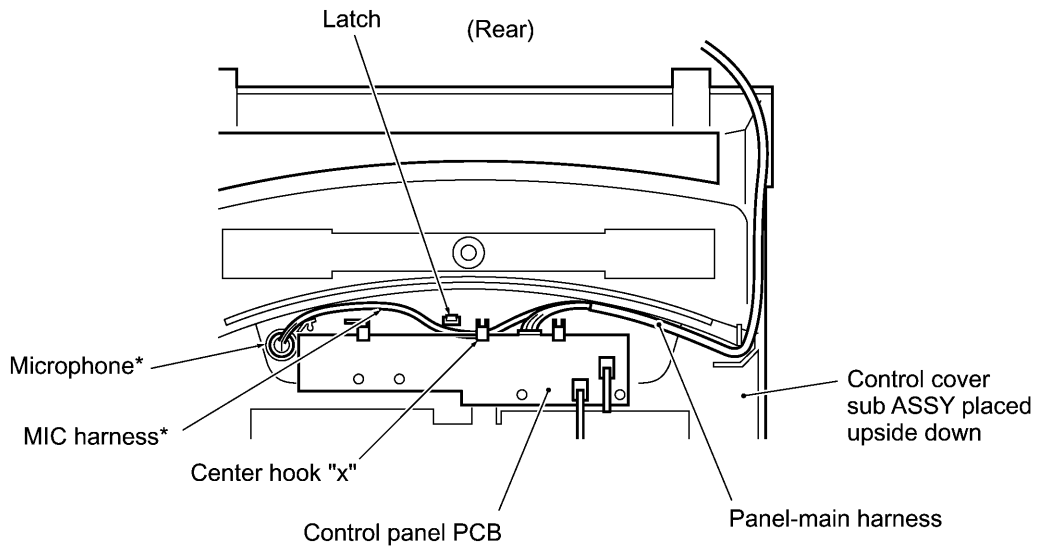
- (5) Remove the four screws from the panel rear cover. (See the illustration given on the next page.)
- (6) Unhook the panel rear cover from the three latches provided on the control cover sub ASSY, then slide the panel rear cover to the front to prevent it from catching the document front and rear sensor actuators.
- (7) Remove the two screws (one screw on base models) from the control panel PCB and slide the control panel PCB to the front. Slightly lift up the PCB, unlock the LCD flat cable connector, and disconnect the flat cable.
- (8) Pull out the microphone (not provided on base models).
- (9) Disconnect the panel-main harness from the control panel PCB.
- (10) Disconnect the FPC key from the control panel PCB.
- (11) As shown below, pull the locks outwards and gently pull out the LCD flat cable to take out the LCD.





n Reassembling Notes

- Route the panel-main harness as illustrated below.
When setting the control panel PCB back into place, route the MIC harness (not provided on base models) beneath the PCB at center hook "x."



*Not provided on base models.

- When setting the panel rear cover back into place, pull the panel-main harness and take care not to pinch the harness between the panel rear cover and the control cover sub ASSY.

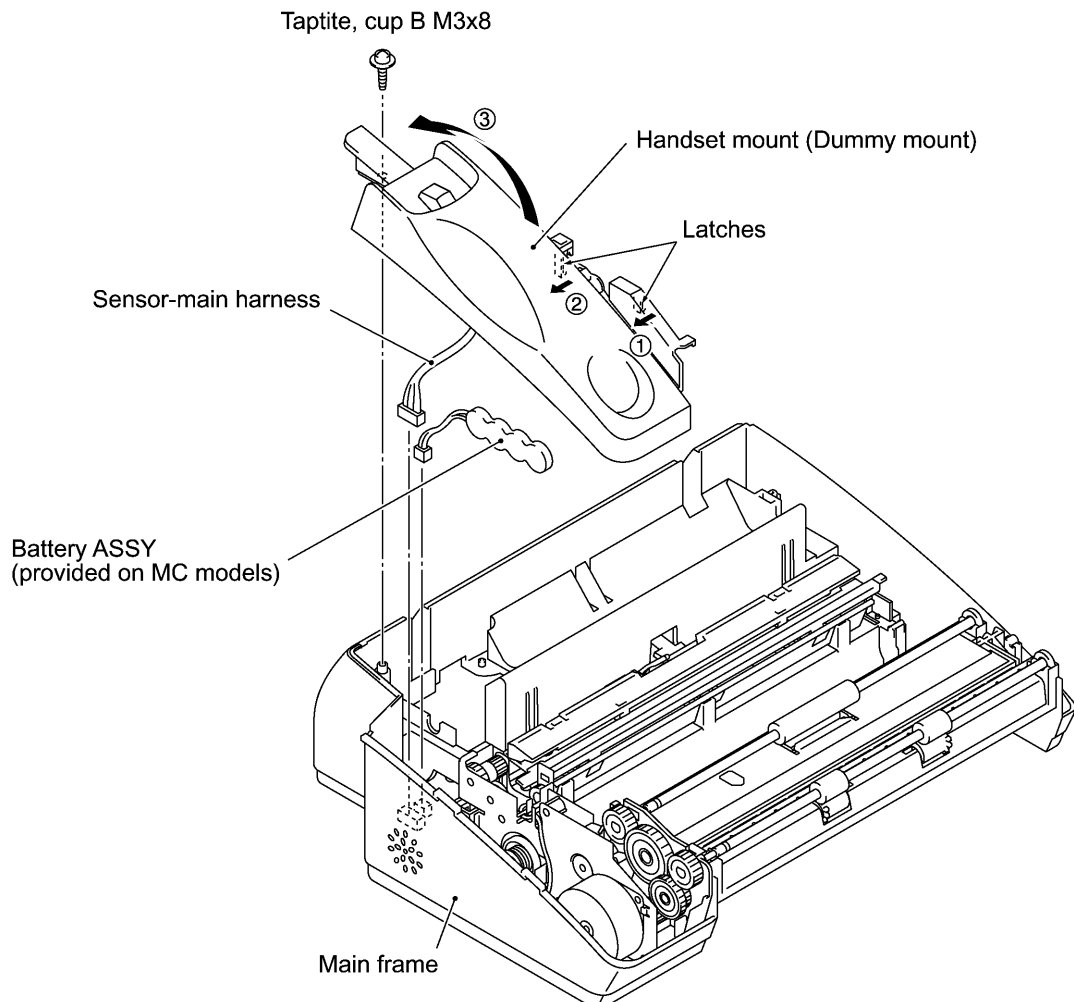
1.5 Handset Mount*¹, Dummy Mount*², Battery ASSY*³, Sensor PCB, Cover Sensor Actuator, and Hook Switch Actuator*¹

(*¹For models w/ handset, *²For models w/o handset, *³For MC models)

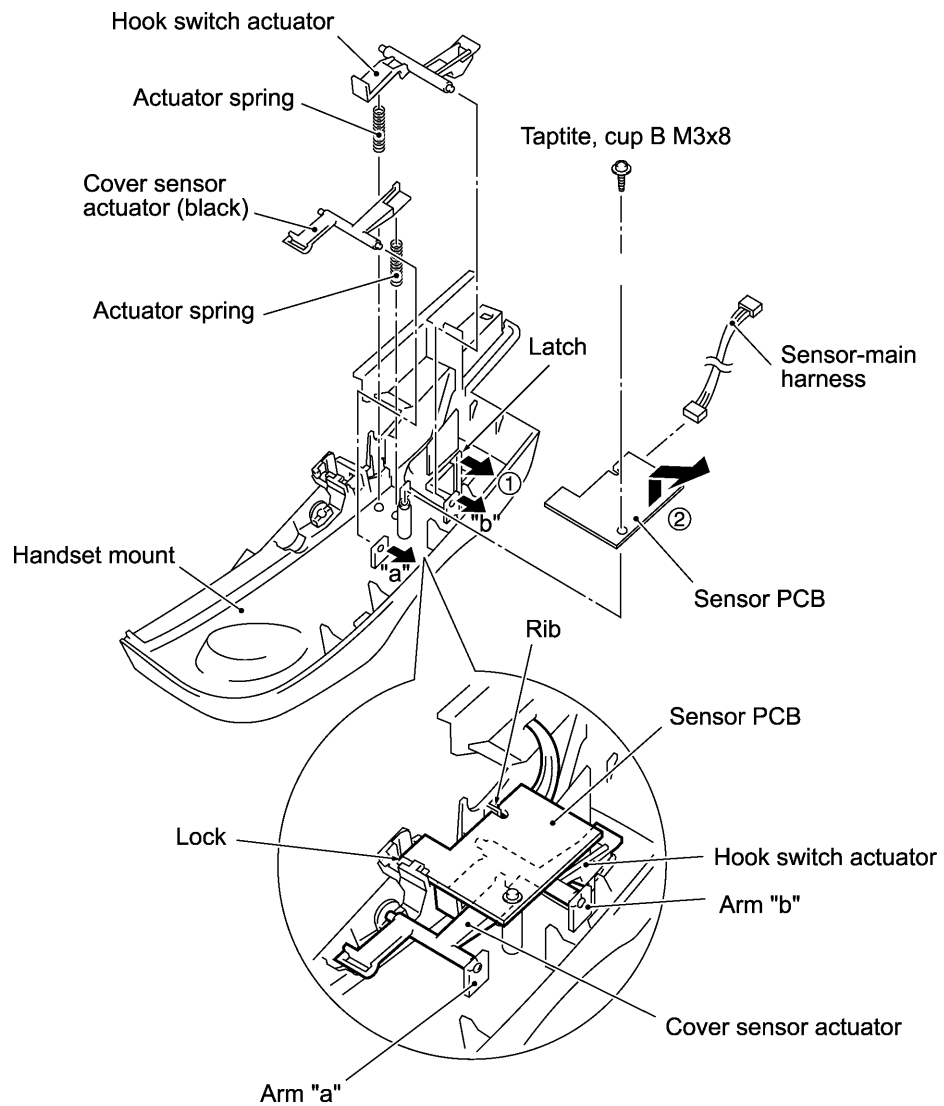
- (1) Release the latches with a flat screwdriver in the order of ① and ②, while twisting the handset mount*¹ or dummy mount*² so that it tilts over to the left.
- (2) MC models: To replace the battery ASSY (Ni-MH battery), plug the power cord of the facsimile equipment into a power outlet, disconnect the battery harness from the main PCB, and take out the battery ASSY from the main frame. Set a new battery ASSY and unplug the power cord.

Disconnecting the battery harness with the power cord unplugged will lose the settings (e.g., calendar clock, voice messages, and received FAX data) stored in the RAM.

If you do not need to replace the battery ASSY, take out the battery ASSY from the main frame and put it on the main PCB with the battery harness being connected.

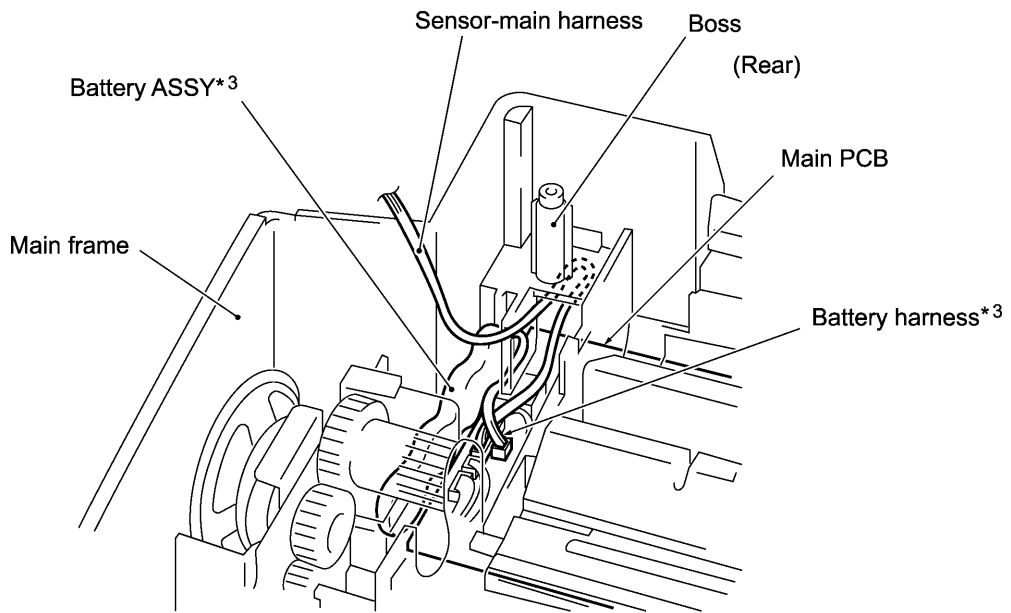


- (3) Disconnect the sensor-main harness from the sensor PCB.
- (4) Remove the screw, release the latch, and take out the sensor PCB in the direction of arrows • and , .
- (5) Pull arm "a" to release the cover sensor actuator (black). The spring also comes off.
- (6) Pull arm "b" to release the hook switch actuator*¹. The spring also comes off.



n Reassembling Notes

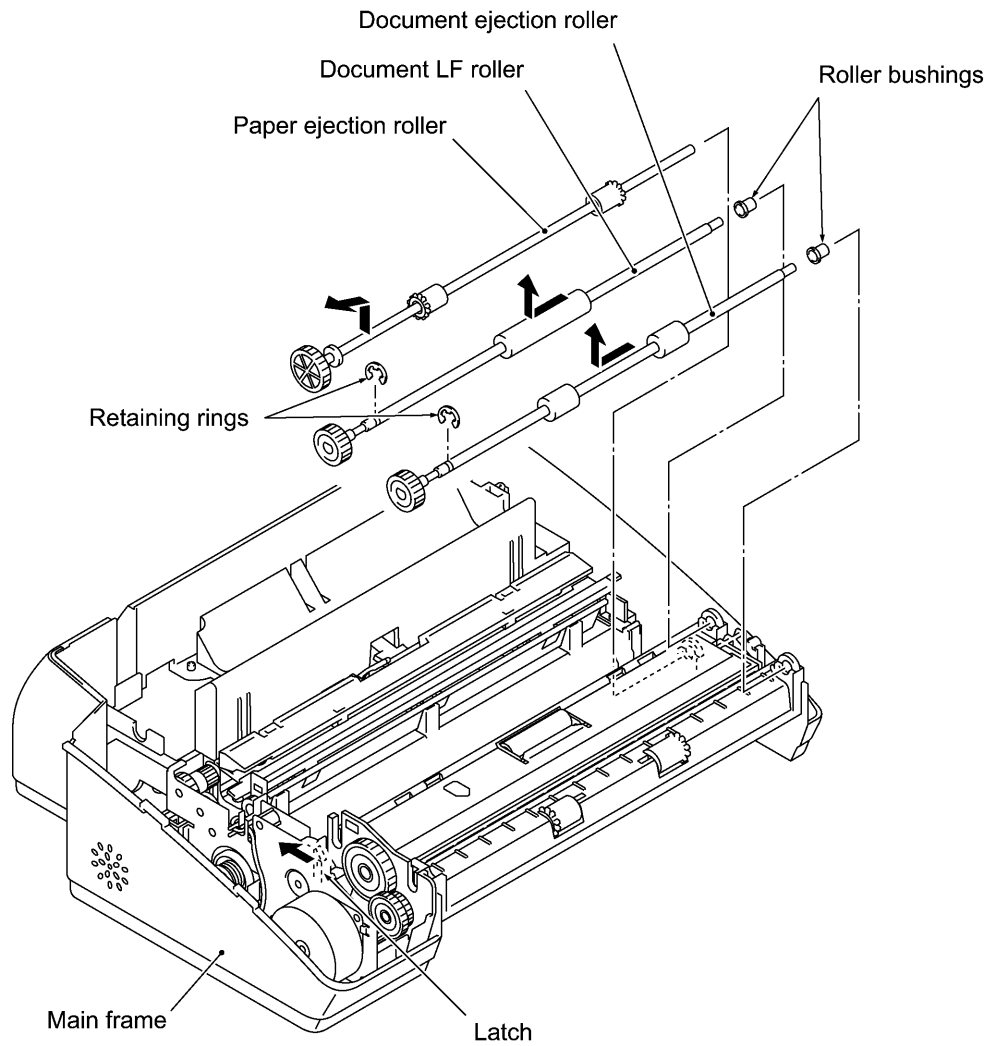
- When setting the battery ASSY*³ back into place, route the battery harness as illustrated below.
- When setting the handset mount back into place, route the sensor-main harness around the boss as illustrated below.



*³ Provided on MC models.

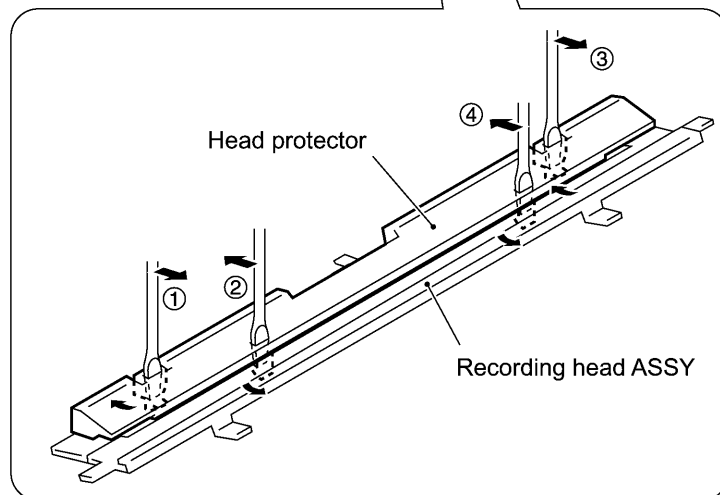
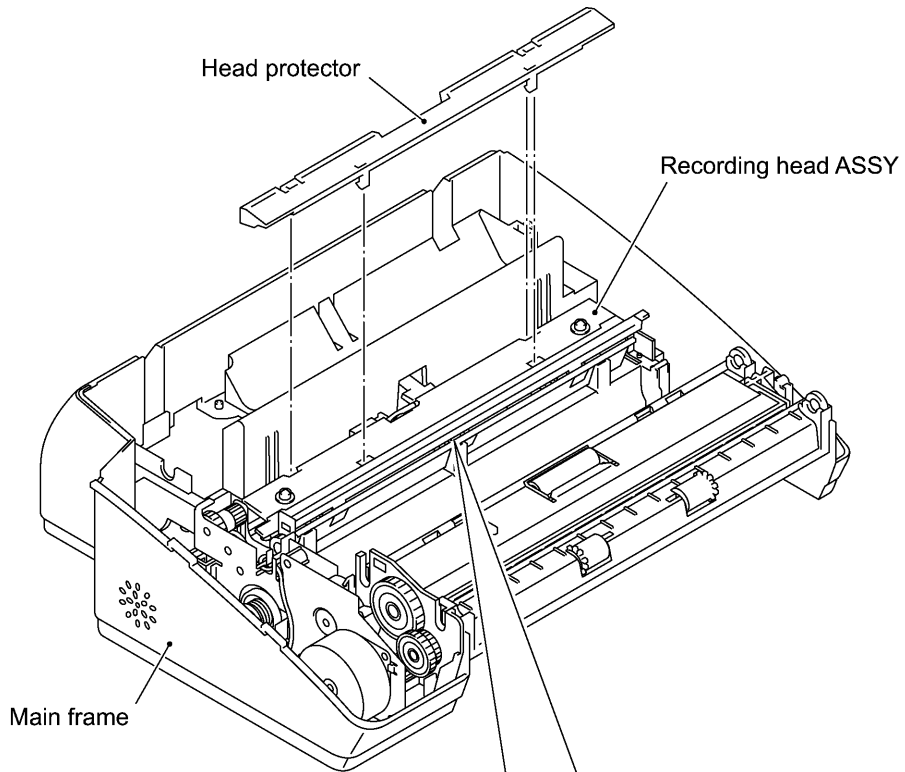
1.6 Paper Ejection Roller, Document LF Roller, and Document Ejection Roller

- (1) Unlatch the paper ejection roller and take it out.
- (2) Remove the retaining ring and take the document LF roller out of the main frame.
- (3) Remove the retaining ring and take the document ejection roller out of the main frame.



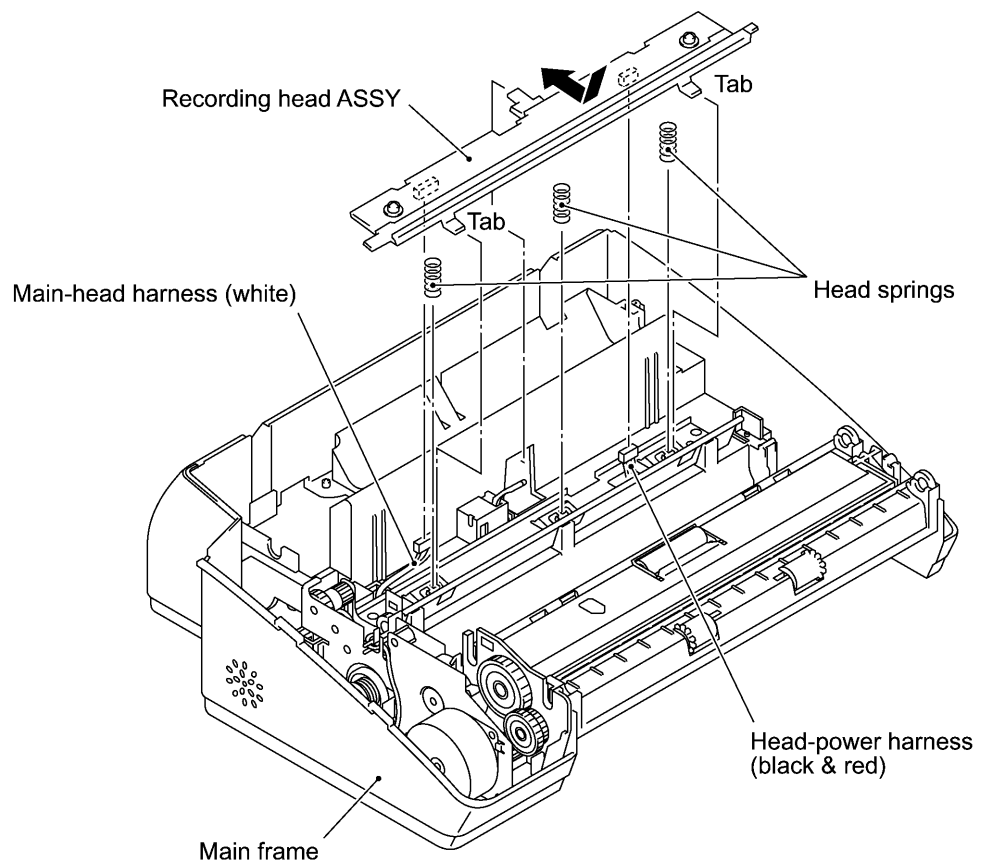
1.7 Head Protector, Recording Head ASSY, and Recorder Frame

- (1) While pulling up the left end of the head protector, unhook latches ① through ④, in this order with a small flat screwdriver as illustrated below.

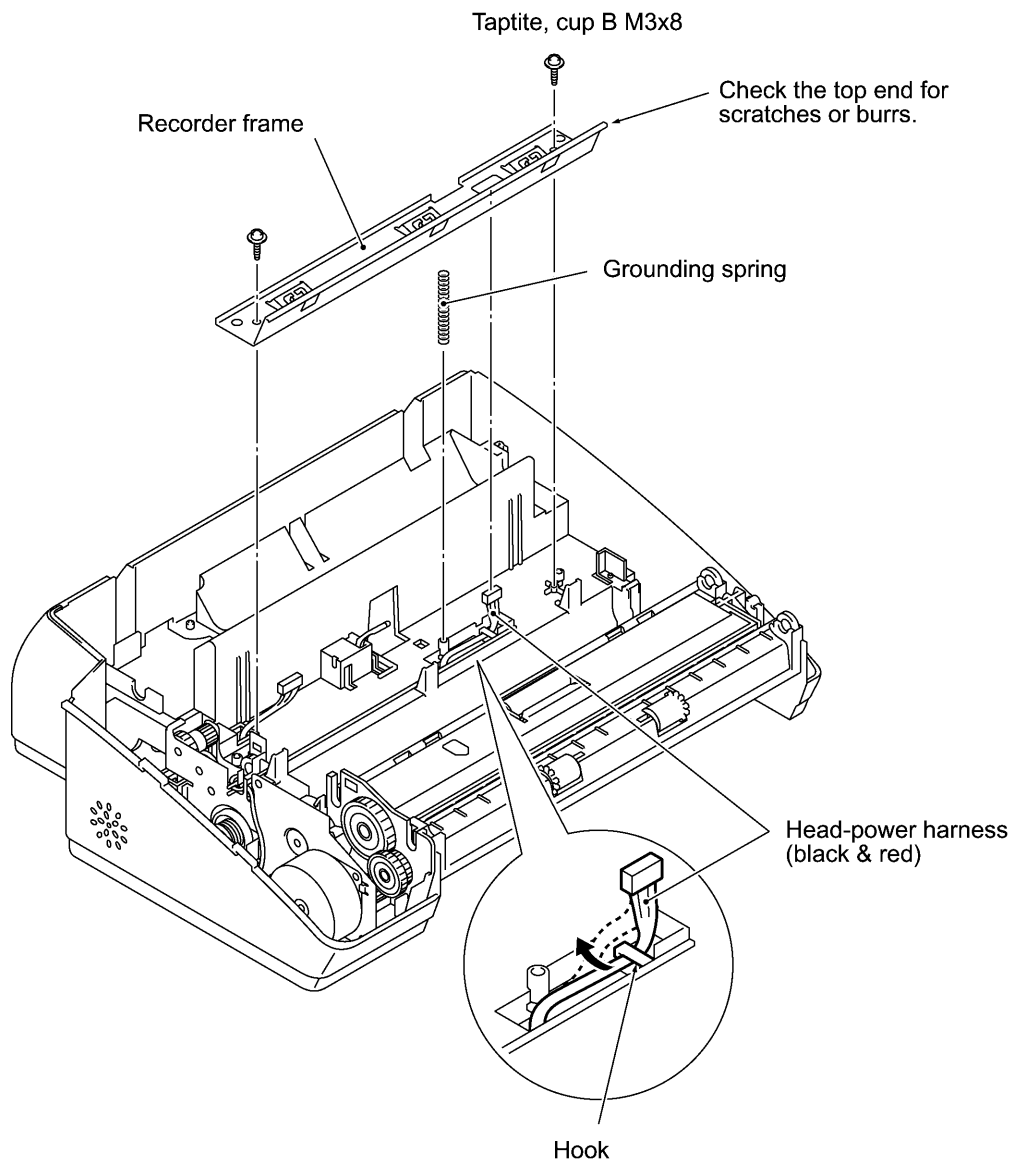


Unhooking the latches of the head protector

- (2) Push down both ends of the recording head ASSY and move it to the rear to release the tabs from the cutouts provided in the recorder frame.
- (3) Disconnect the two harnesses (main-head harness and head-power harness) from the recording head ASSY and then lift up the ASSY.
- (4) Remove the three head springs.



- (5) Remove two screws to release the recorder frame.
- (6) Remove the grounding spring.
- (7) Unhook the head-power harness from the main frame.

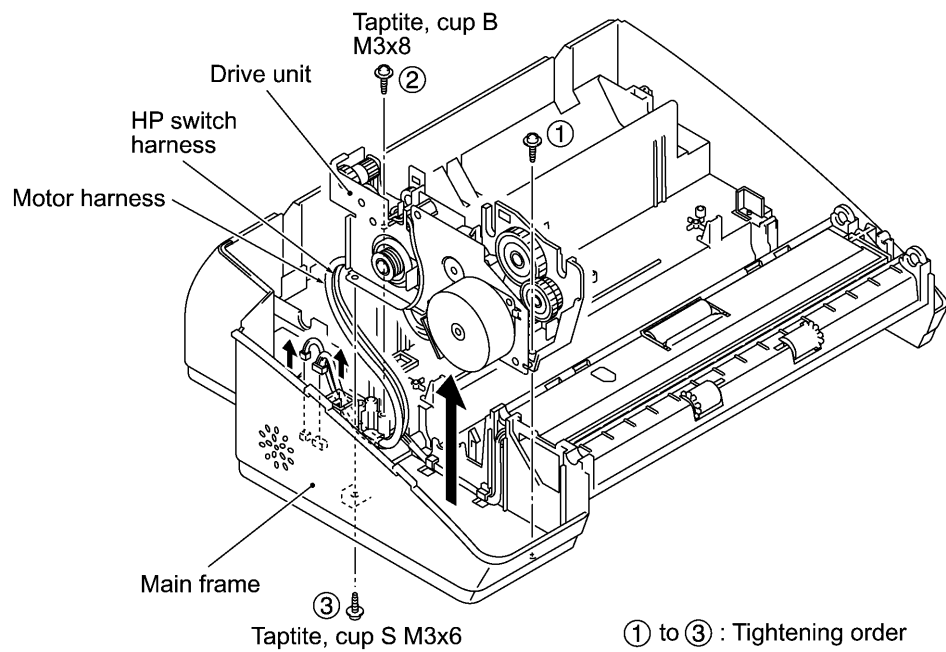


n Reassembling Notes

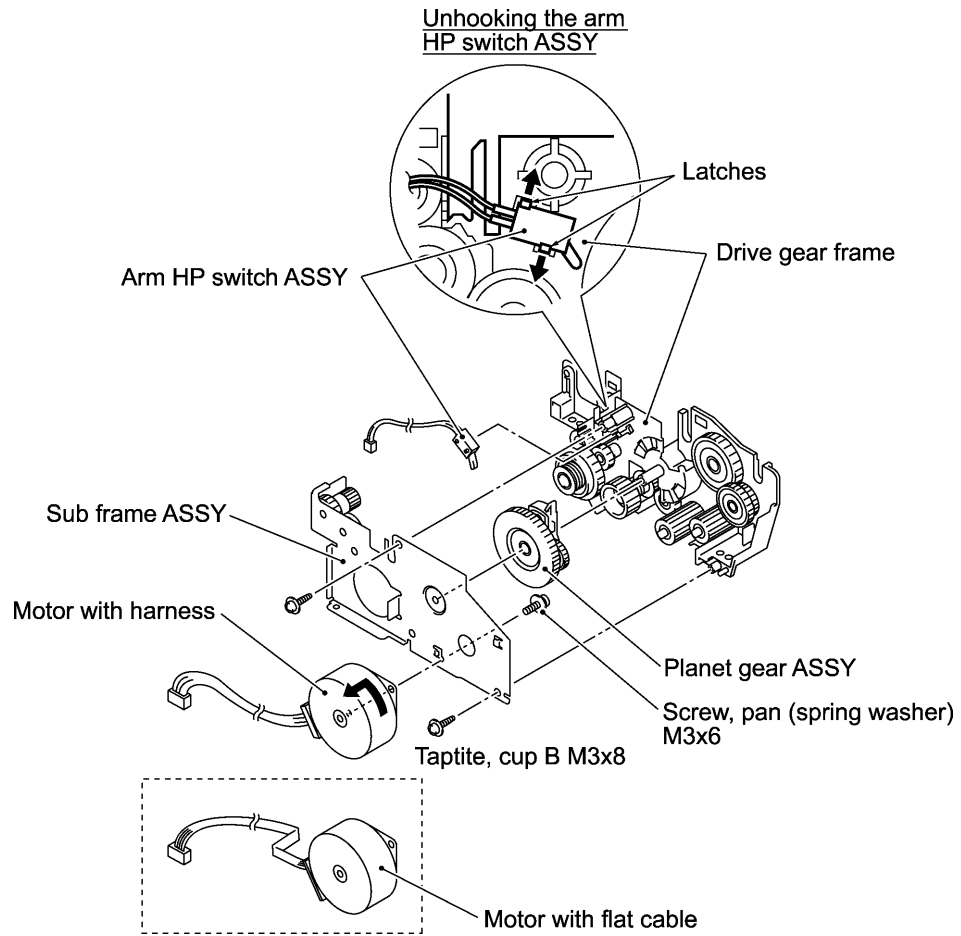
- Before reinstalling the recorder frame, check its top end (on which paper and ribbon pass) for scratches or burrs. Those on the top end will affect the printed image.
- When reinstalling the recording head ASSY, make sure that the three head springs are set into place.

1.8 Drive Unit, Motor, and Arm HP Switch ASSY

- (1) Remove the screw from the bottom plate.
- (2) Remove the two screws from the drive unit.
- (3) Slightly lift up the drive unit and disconnect the two harnesses (HP switch harness and motor harness) from the main PCB.

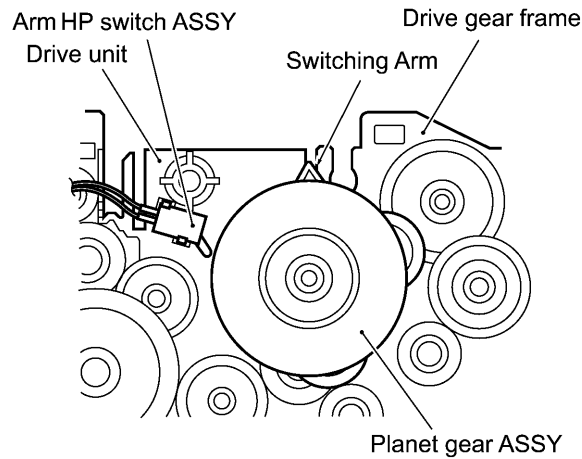


- (4) Remove the two screws to release the sub frame ASSY.
- (5) Remove the screw from the sub frame ASSY to release the motor.
- (6) Remove the planet gear ASSY from the drive unit.
- (7) Unhook the arm HP switch ASSY.

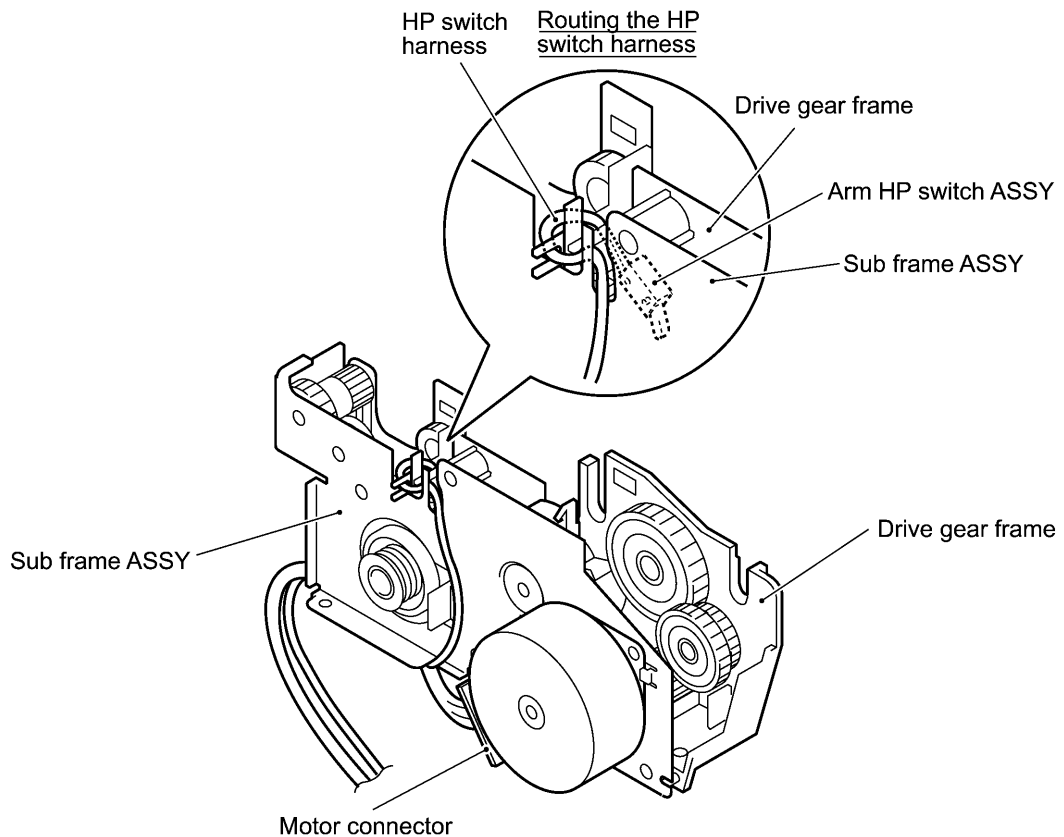


n Reassembling Notes

- As shown below, set the arm HP switch ASSY back into place.
- Set the planet gear ASSY with its planet gears facing towards the drive gear frame, taking care not to let the switching arm interfere with the actuator of the arm HP switch ASSY.

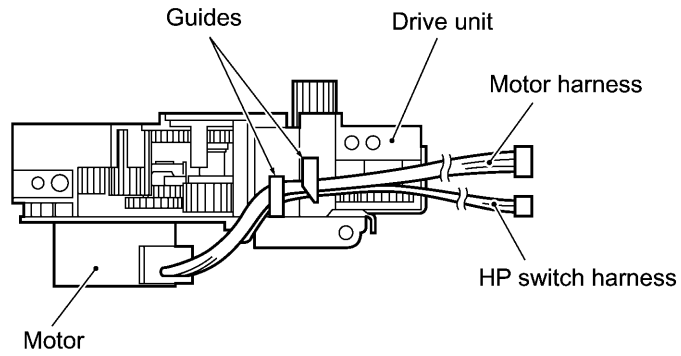


- Reinstall the motor with its connector facing downwards as shown below.
- When fitting the sub frame ASSY to the drive gear frame, route the HP switch harness as illustrated below.

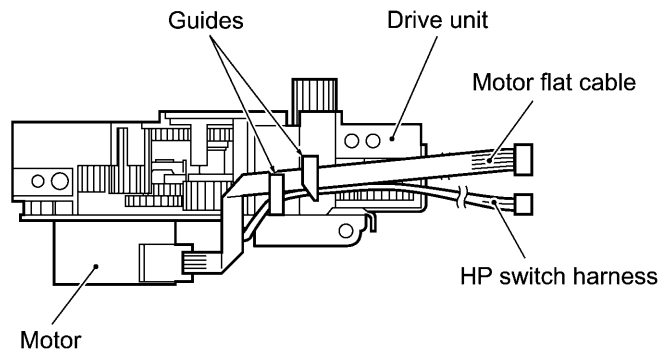


- Route the motor harness (or motor flat cable) and HP switch harness along the guides on the bottom of the drive unit.

For motor with harness



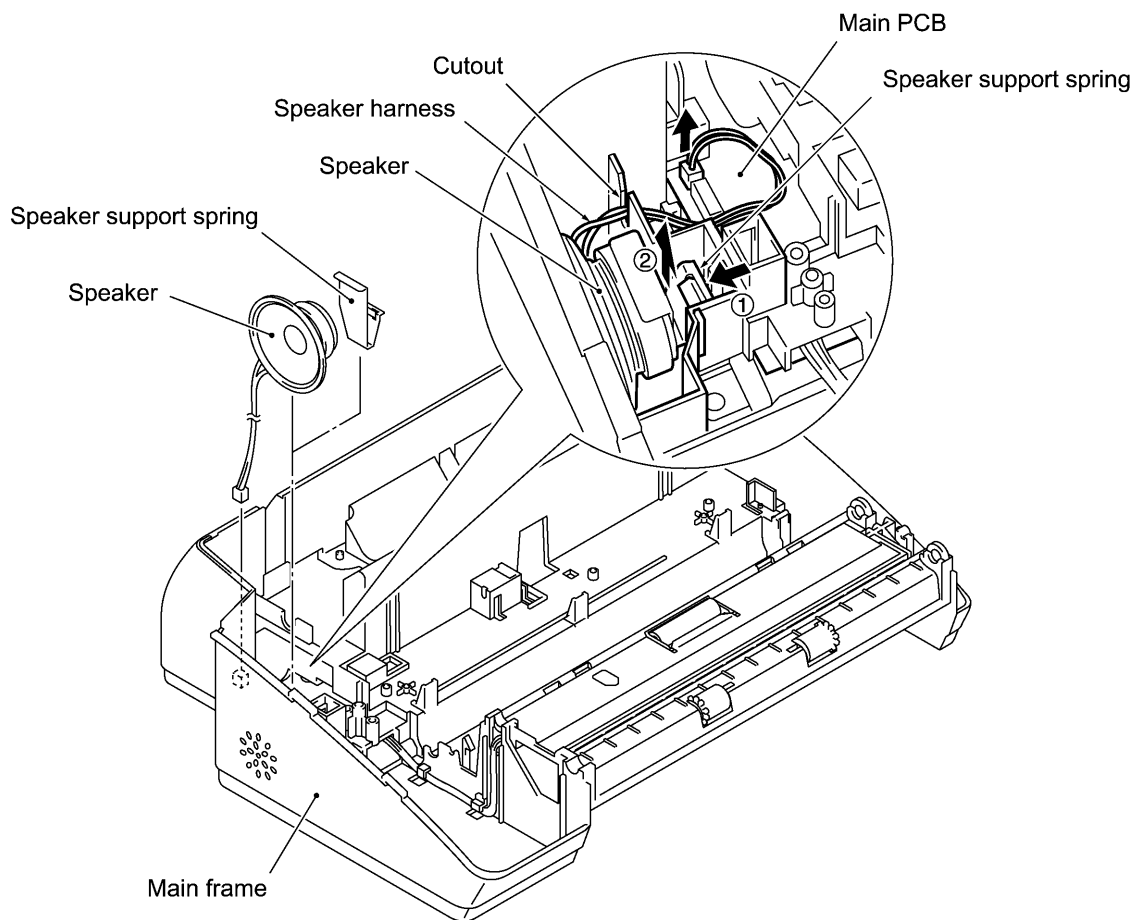
For motor with flat cable



- When securing the drive unit to the main frame, tighten the three screws in the order of **a** to **f** shown on page IV-28.

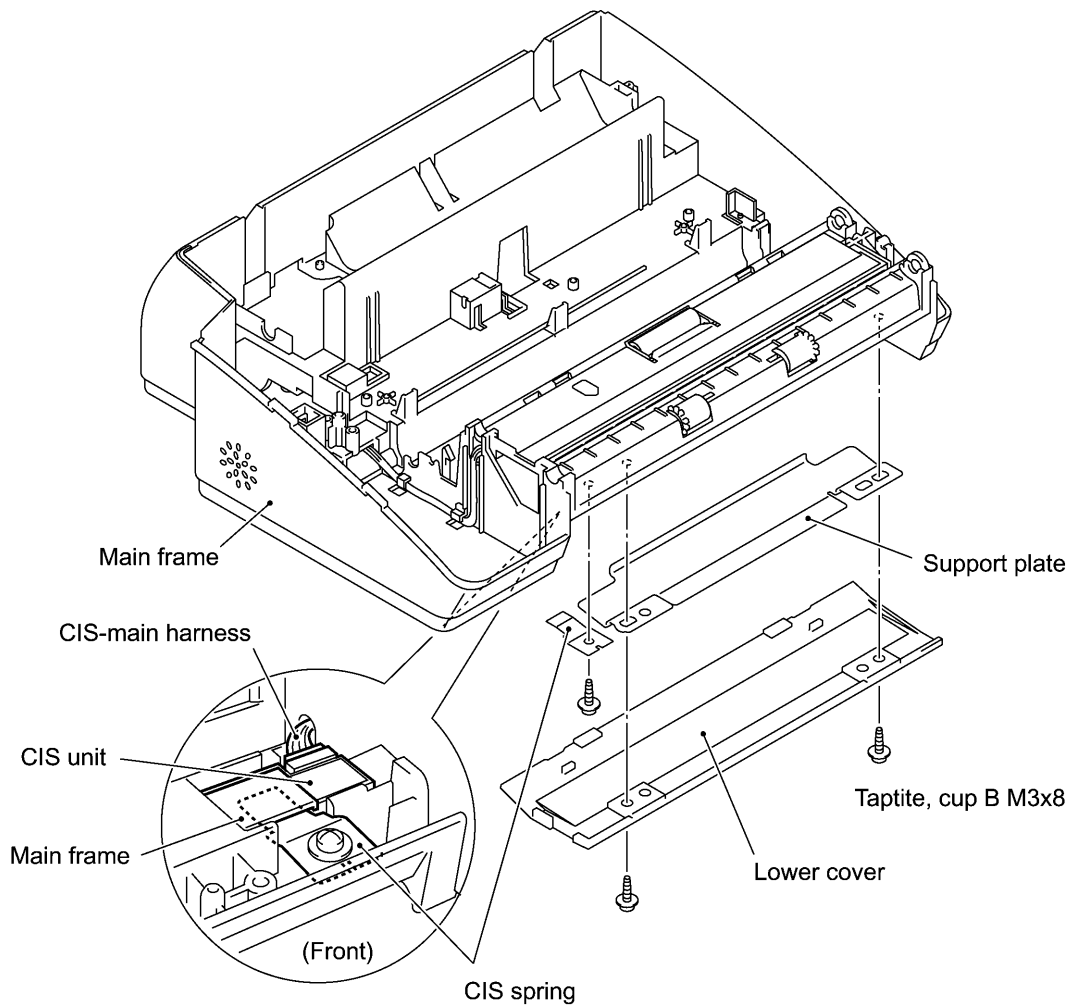
1.9 Speaker

- (1) Disconnect the speaker harness from the main PCB.
- (2) With a flat screwdriver, unhook the speaker support spring and pull it up.
- (3) Remove the speaker.



1.10 Lower Cover, Support Plate, and CIS Spring

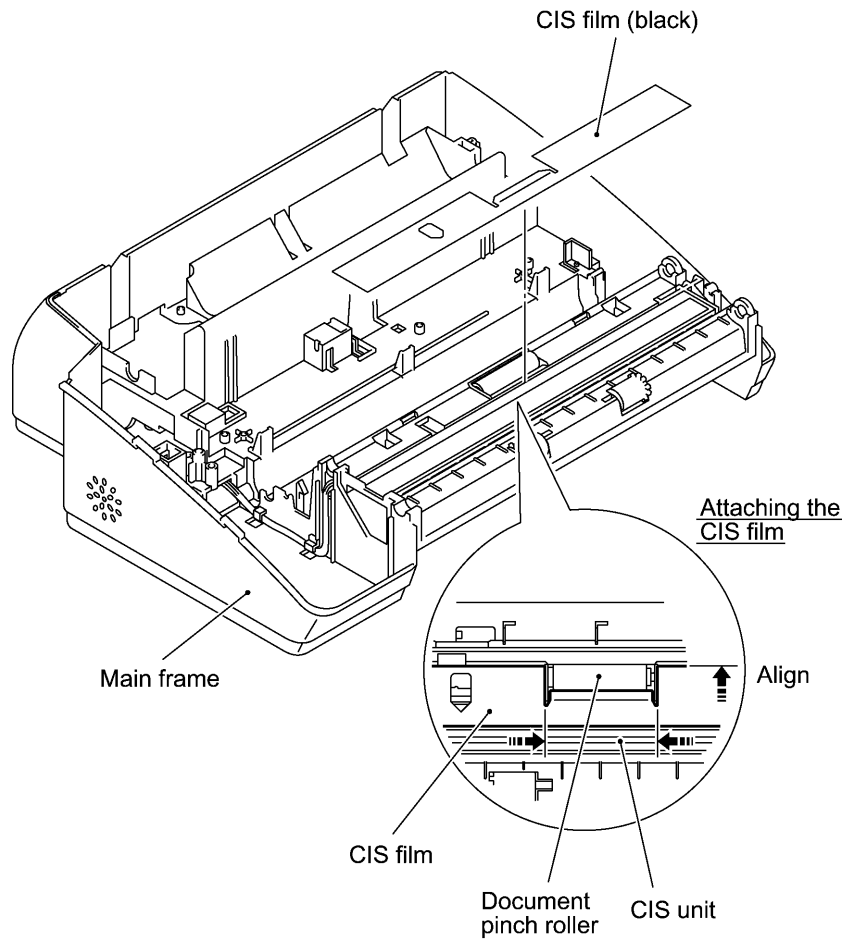
- (1) Remove the two screws to release the lower cover. The support plate also comes off.
- (2) Remove the screw to release the CIS spring.



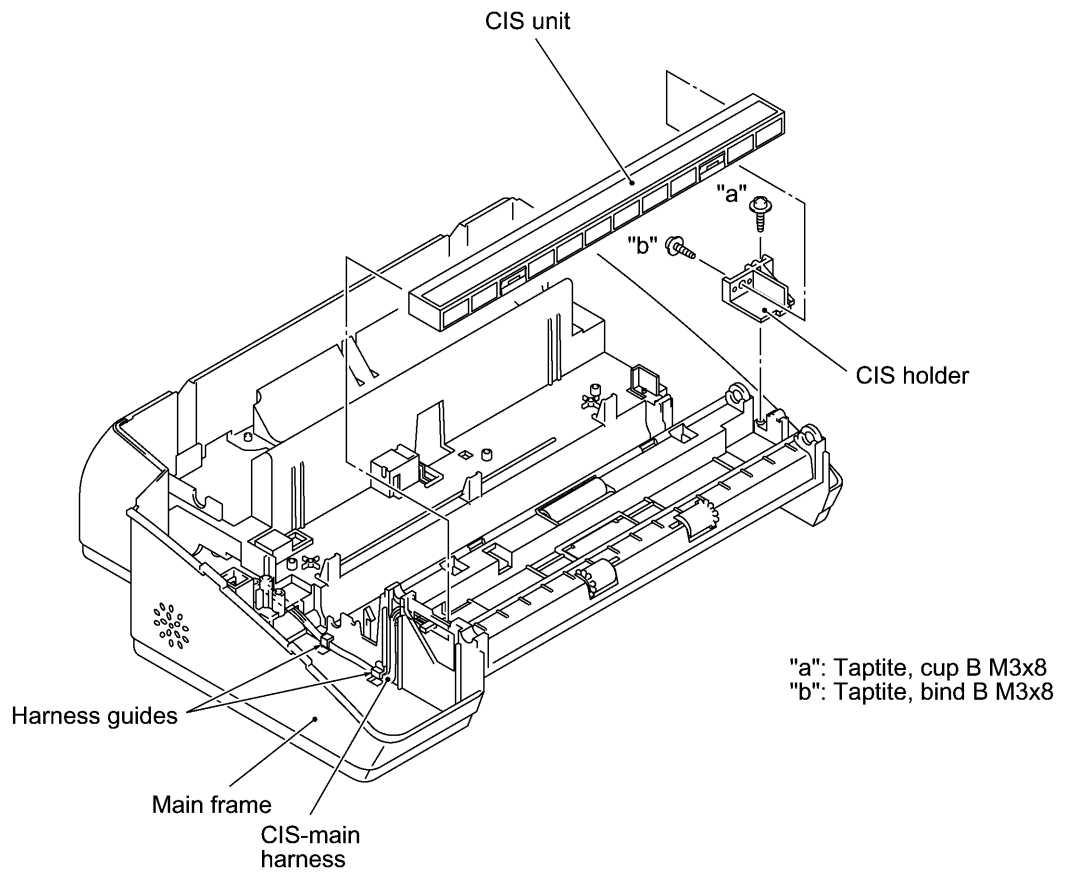
1.11 CIS Film and CIS Unit

- (1) Peel off the black CIS film.

NOTE: Once removed, the CIS film will become unusable and a new one will have to be put back in.

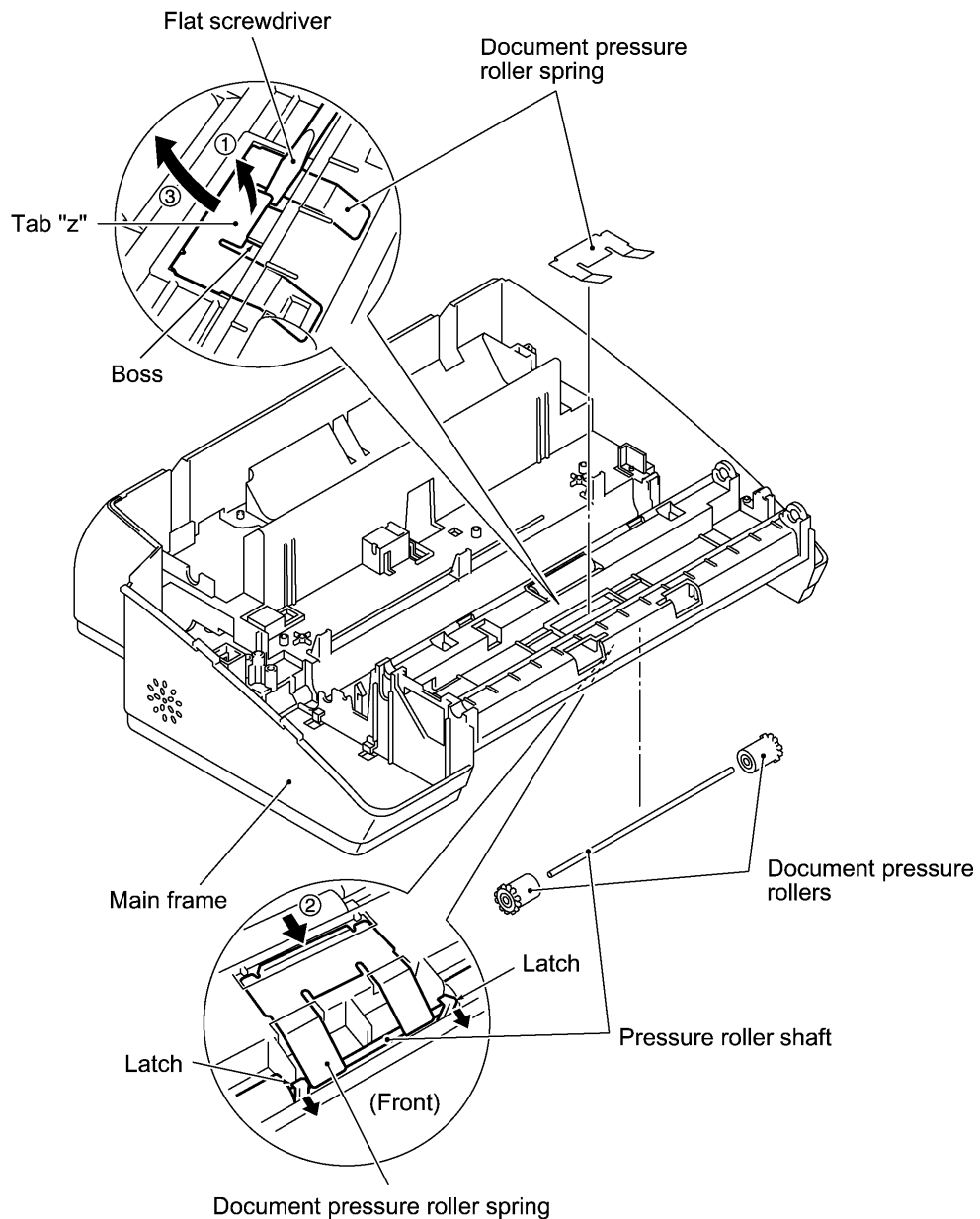


- (2) Remove screw "a" from the CIS holder.
- (3) Push up the rear end of the CIS holder, slightly lift up the CIS unit, and disconnect the CIS-main harness from the CIS unit.
- (4) Remove screw "b" to release the CIS holder.

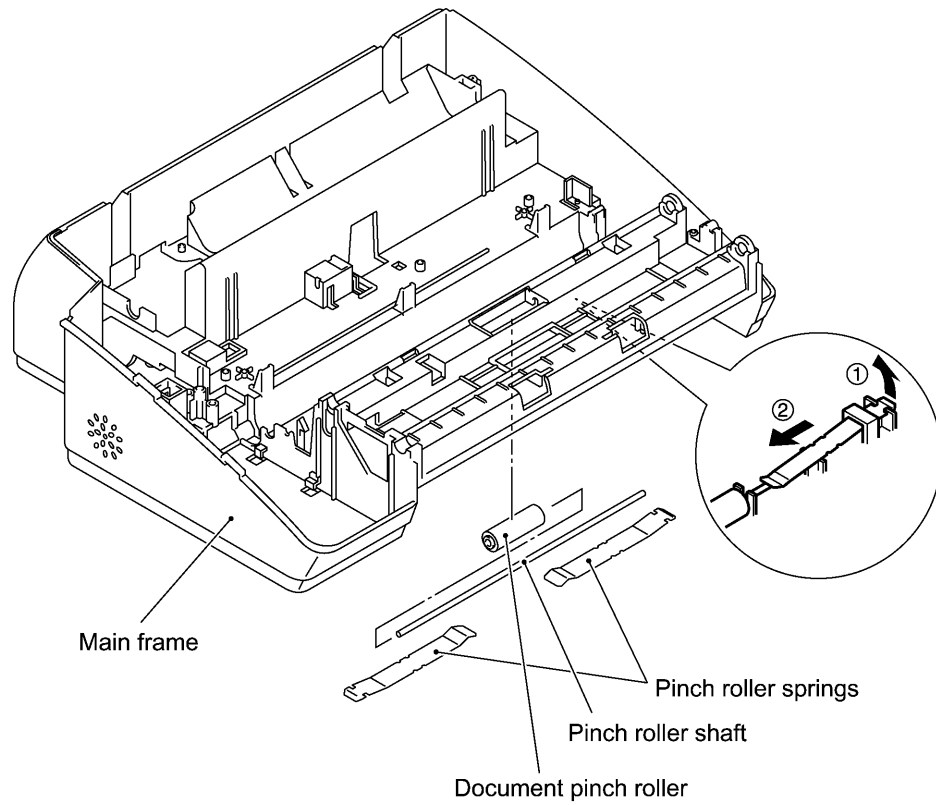


1.12 Document Pressure Rollers and Document Pinch Roller

- (1) Insert the tip of a flat screwdriver under tab "z" of the document pressure roller spring to release it from the boss (in the direction of arrow **a**), push the underside of the spring with your fingers (arrow **b**), and take it out (arrow **c**).
- (2) Unlatch the pressure roller shaft and remove the document pressure rollers.

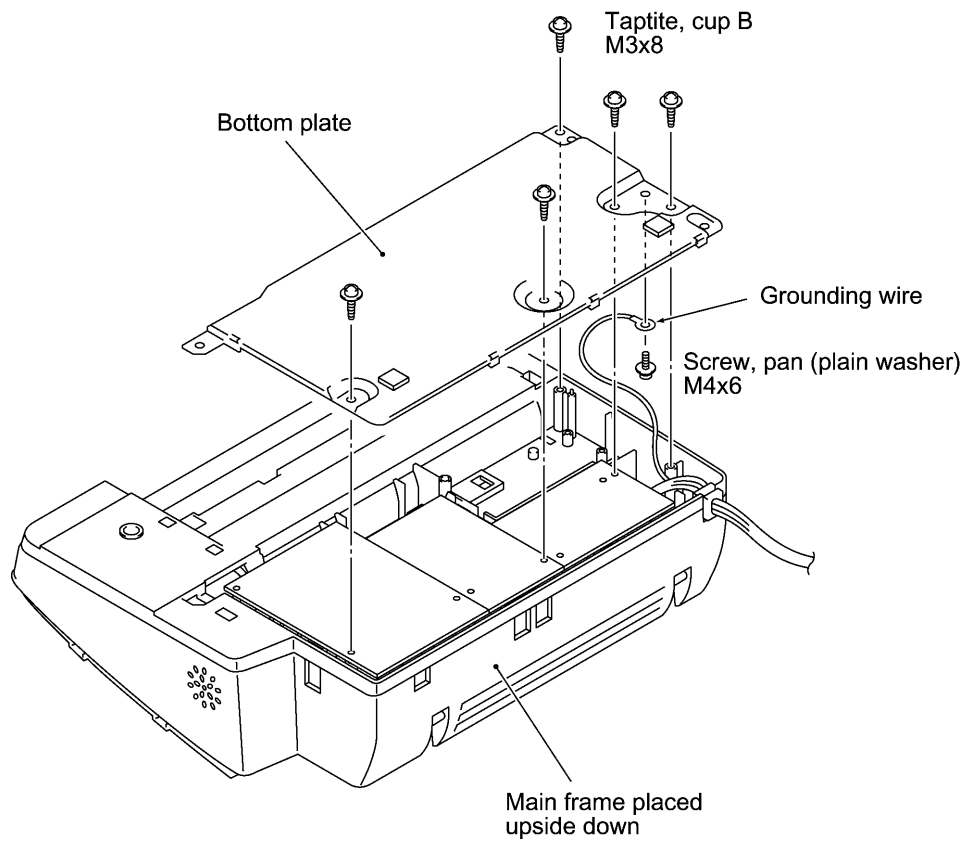


- (3) Pull up the outer end of each pinch roller spring (in the direction of arrow •) and press it inwards (arrow ,).
- (4) Remove the document pinch roller and its shaft.

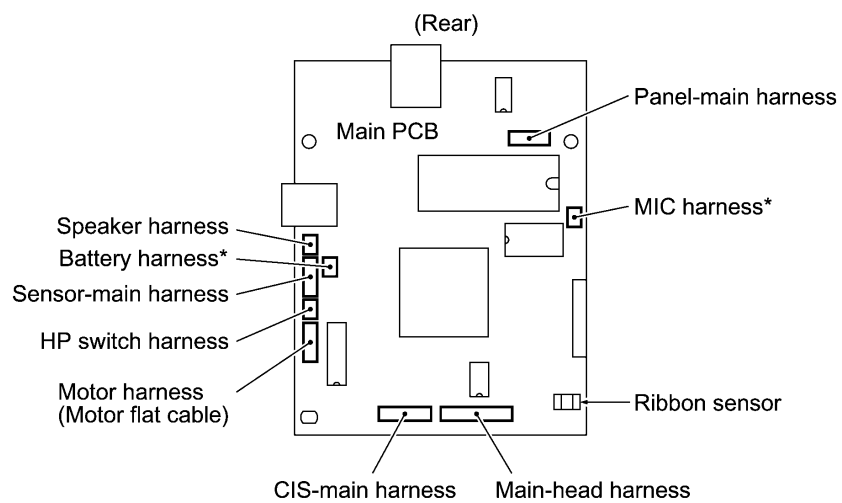
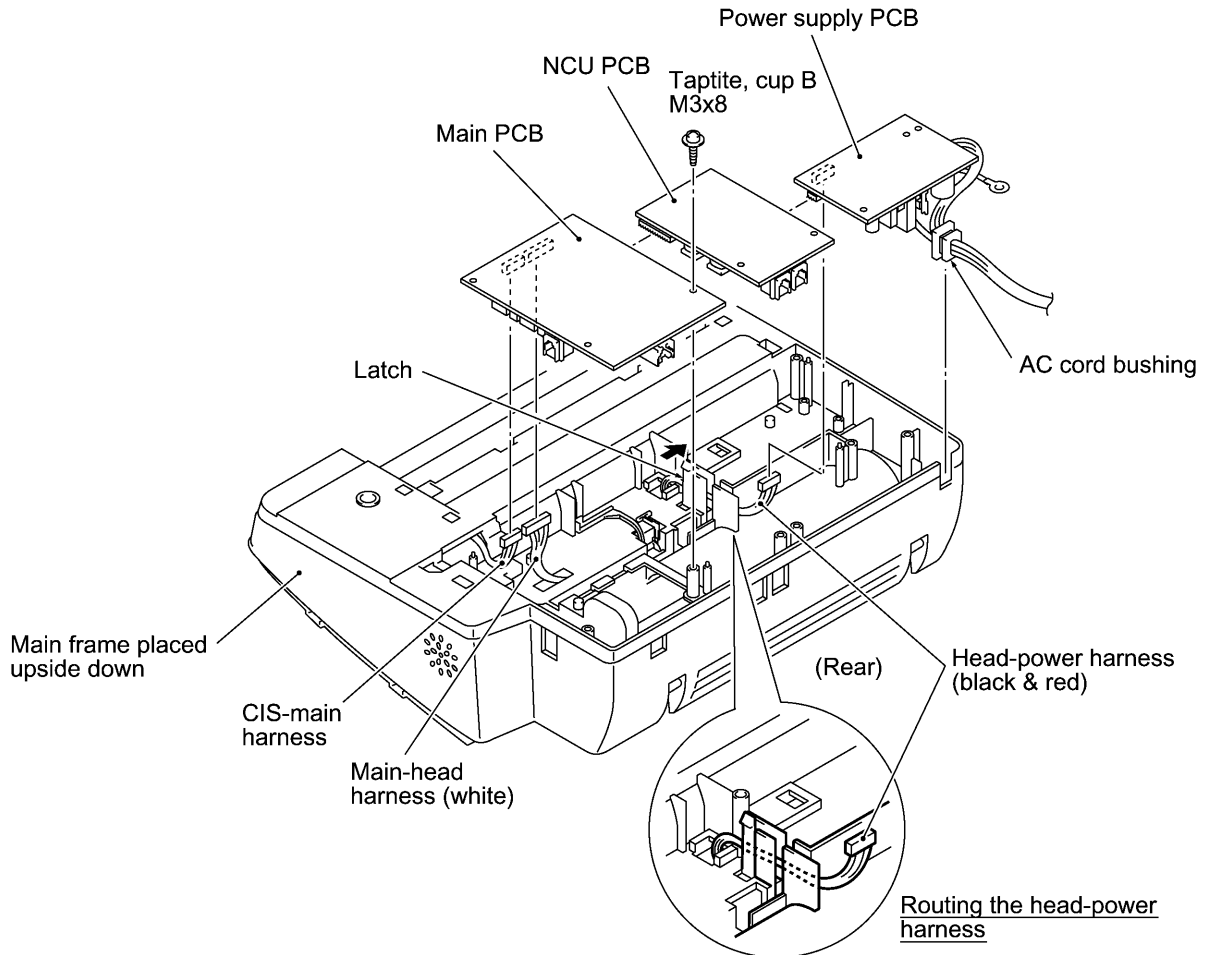


1.13 Bottom Plate, Main PCB, NCU PCB, Power Supply PCB, and Ribbon Sensor Actuator

- (1) Place the main frame upside down.
- (2) Remove the five screws from the bottom plate.
- (3) Slightly lift up the bottom plate and release the grounding wire.

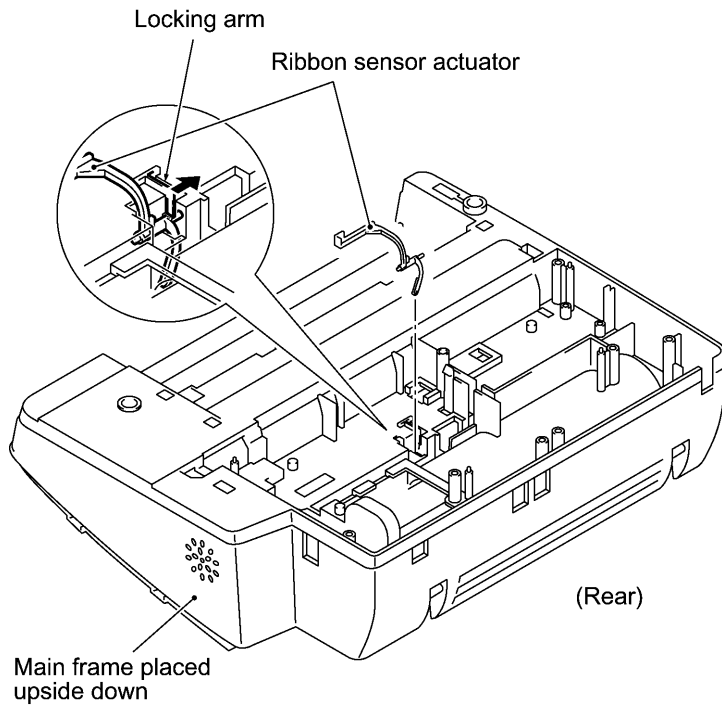


- (4) Remove the screw from the main PCB.
- (5) Unhook the NCU PCB.
- (6) Slightly lift up the main PCB, disconnect it from the NCU PCB, and disconnect the harnesses from the main PCB.
- (7) Slightly lift up the NCU PCB and disconnect it from the power supply PCB.
- (8) Slightly lift up the power supply PCB and disconnect the head-power harness.



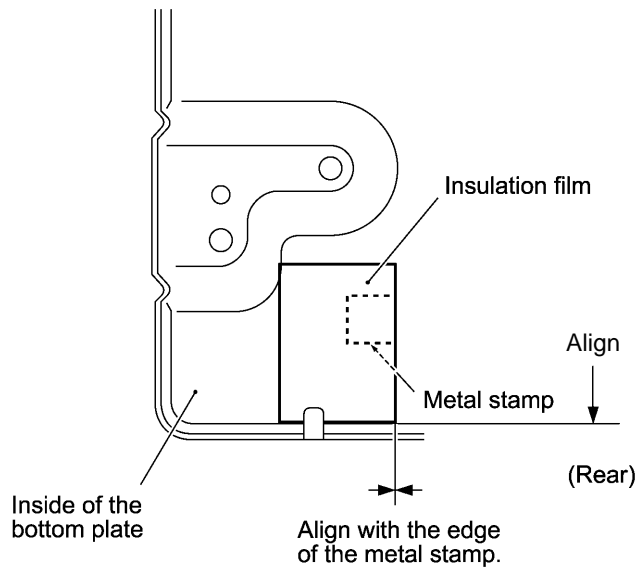
*Provided on MC models.

(9) As shown below, push the locking arm and take out the ribbon sensor actuator.

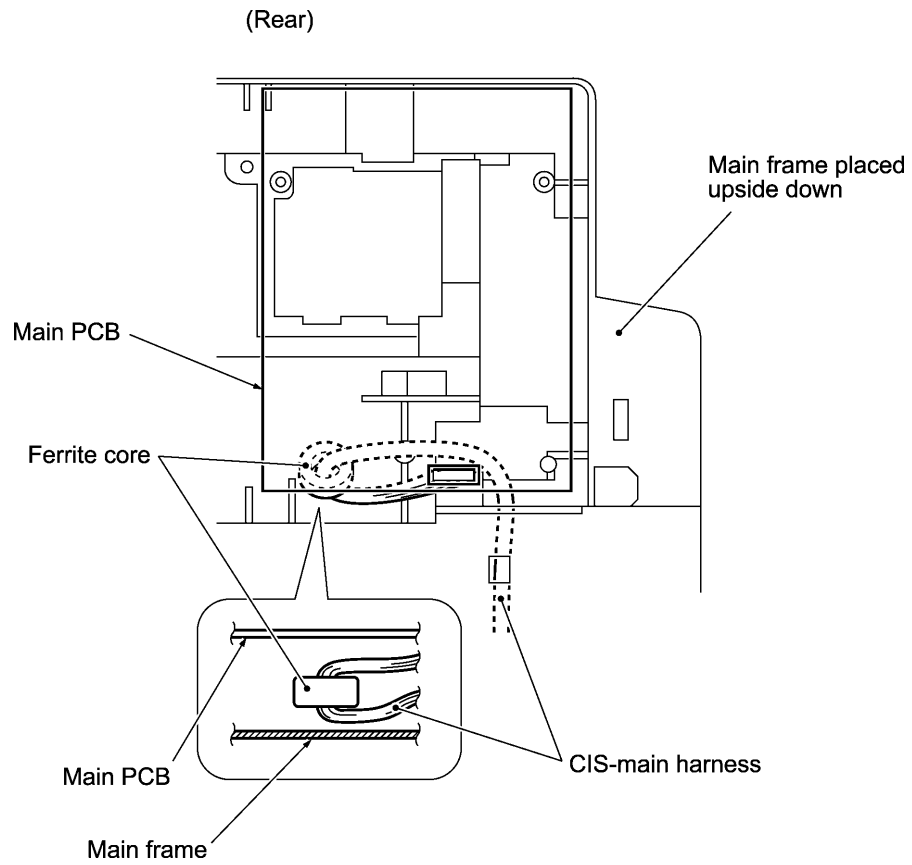


n Reassembling Notes

- When setting the power supply PCB back into place, route the head-power harness as illustrated on the previous page.
- If you replace the bottom plate with a new one, attach an insulation film to the new bottom plate as illustrated below.

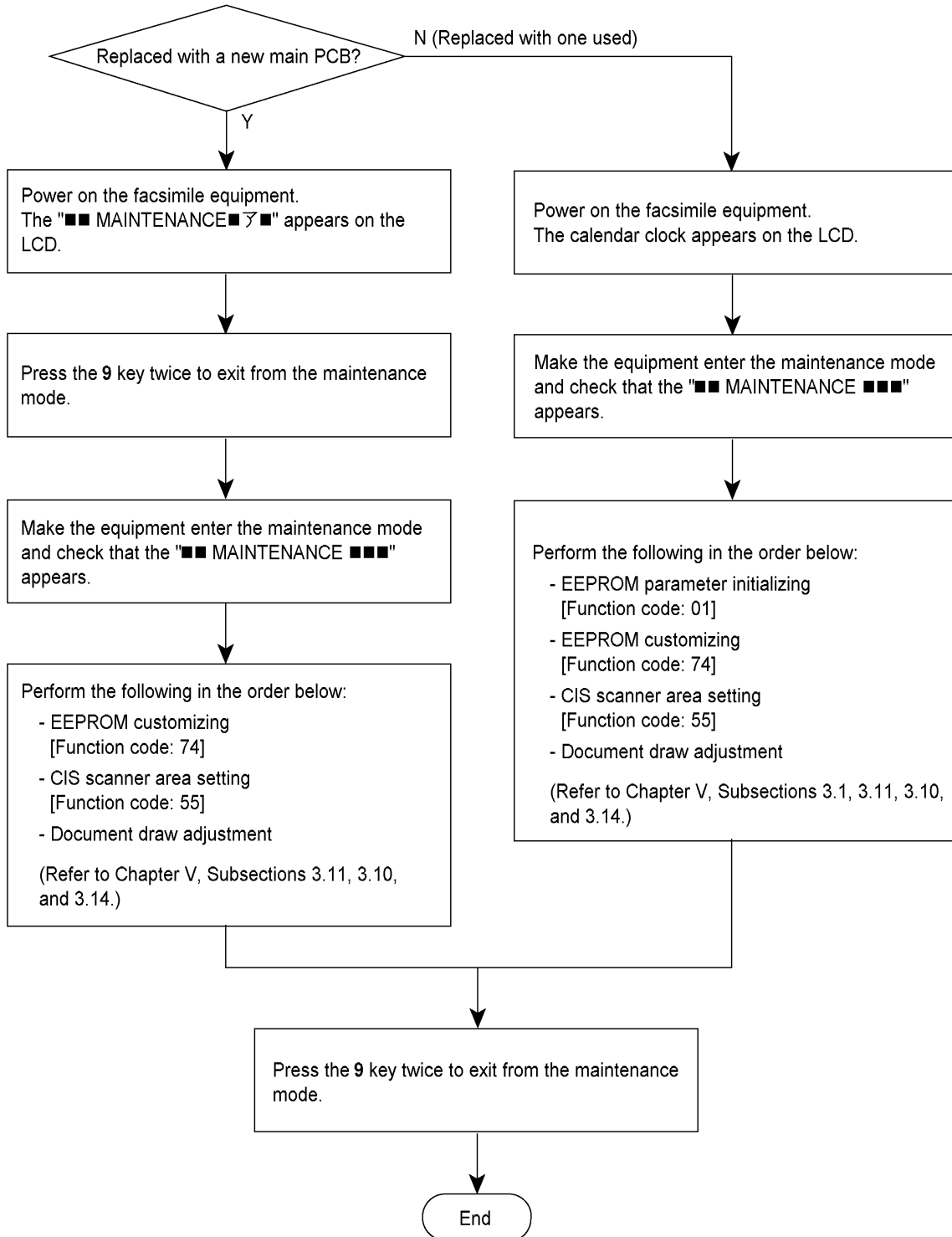


- When setting the main PCB back into place, route the CIS-main harness to place the ferrite core as illustrated below. Make sure that the ferrite core lies horizontally.



- After you replace the main PCB, be sure to follow the flowchart given on the next page.

Setting up the main PCB after replacement



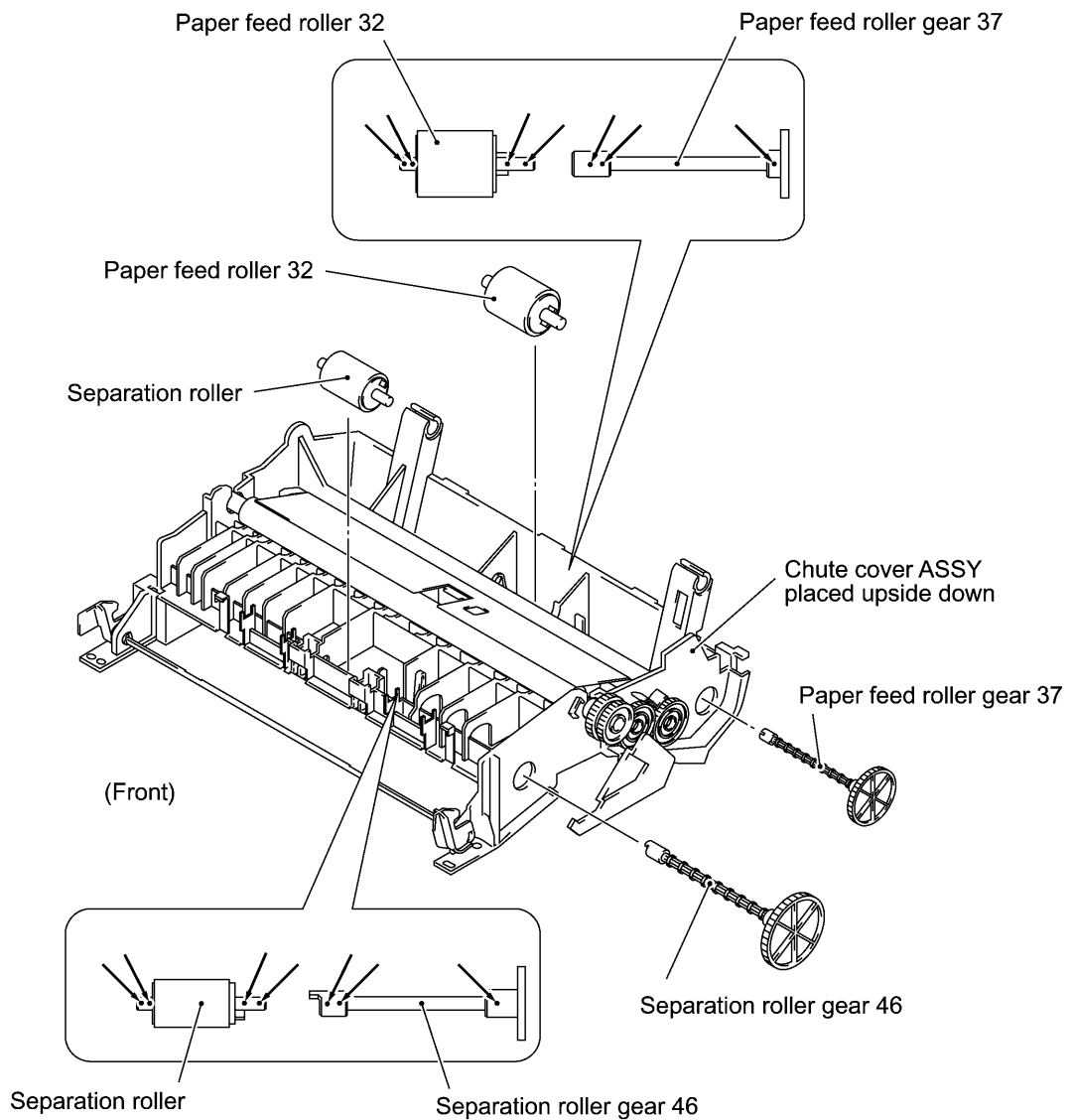
2. LUBRICATION

Apply the specified lubricants to the lubrication points as shown below.

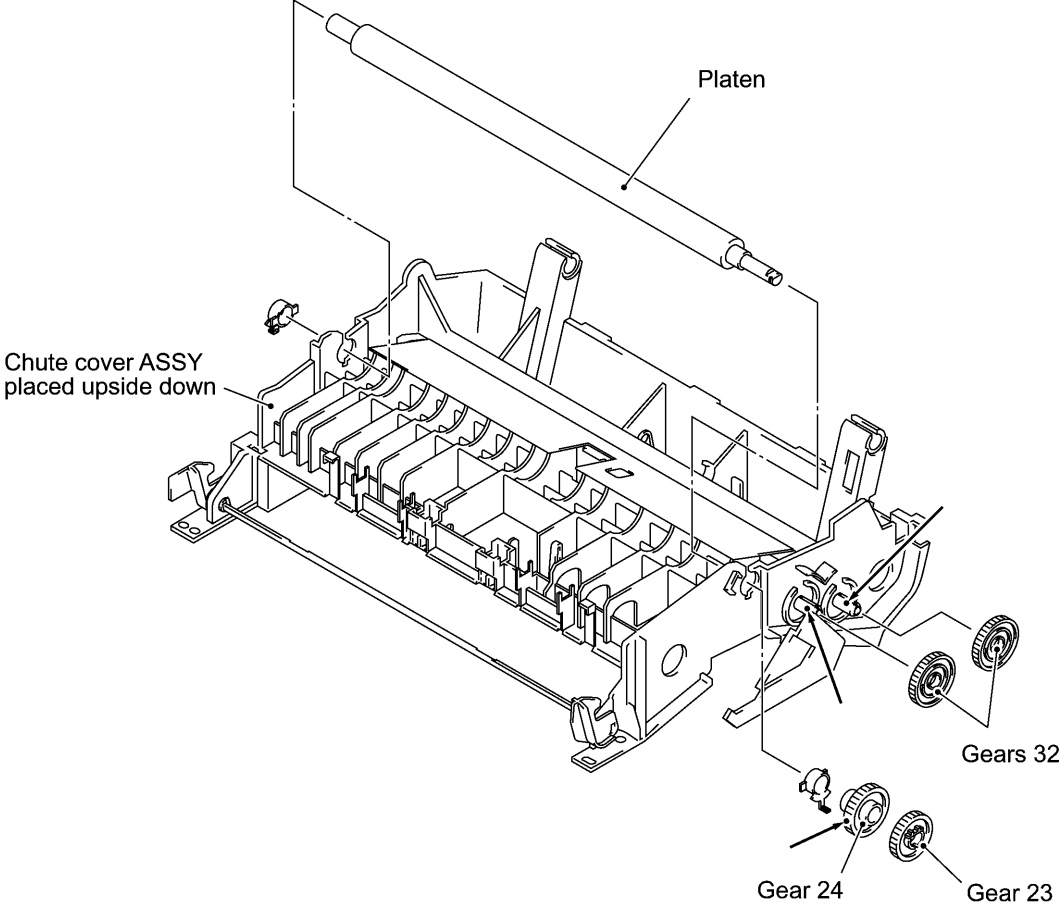
Lubricant type (Manufacturer): Molykote EM-30L (Dow Corning) or
Floil BG-11 (Kanto-Kasei Ltd.)

Apply a rice-sized pinch of grease (6 mm^3) to the specified points.

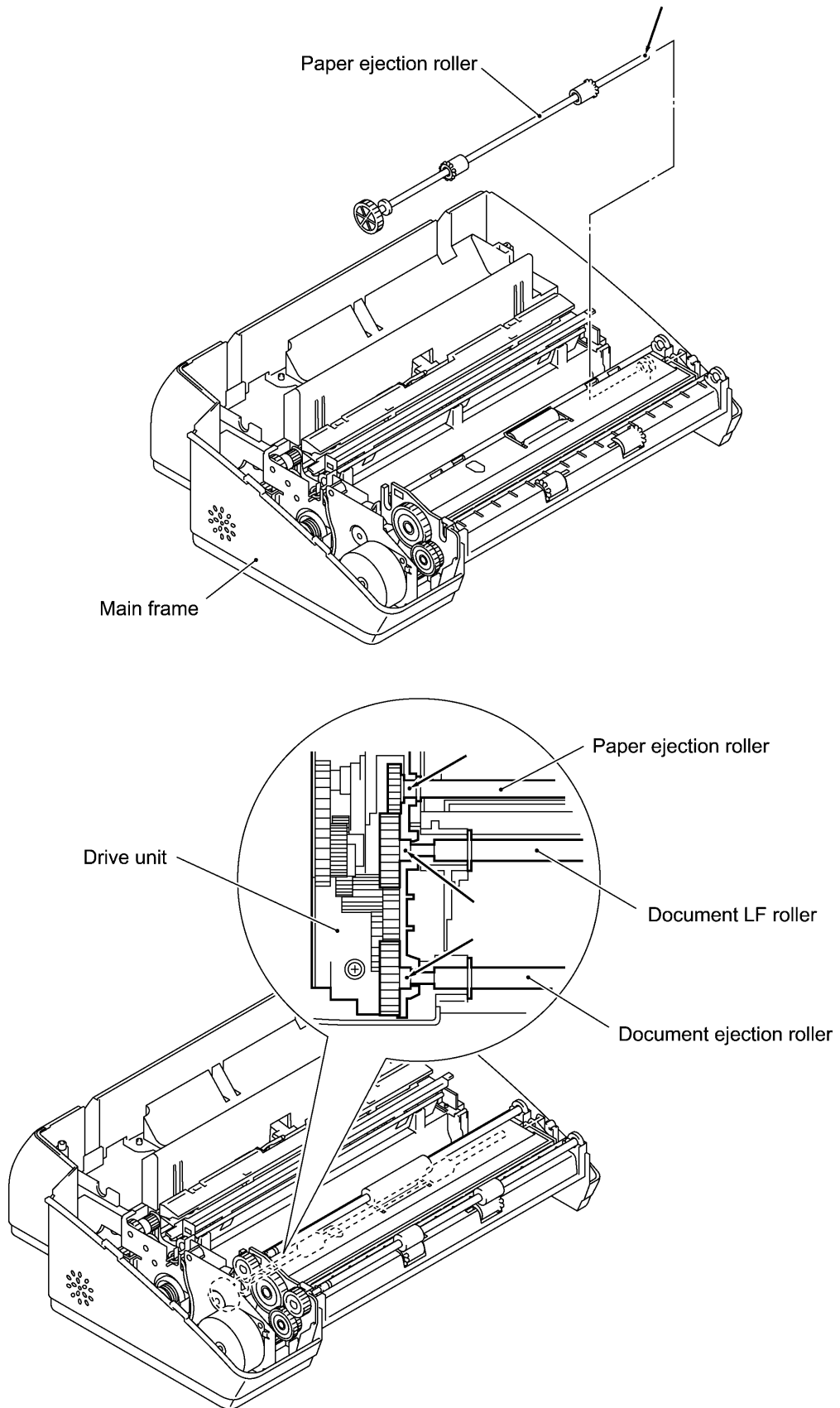
[1] Separation roller and its gear and paper feed roller 32 and its gear



[2] Platen gear (Gear 24) and joint between gears 32 and chute cover ASSY



[3] Paper ejection roller, document LF roller, and document ejection roller



CHAPTER V.

MAINTENANCE MODE

CHAPTER V. MAINTENANCE MODE

CONTENTS

1.	ENTRY INTO THE MAINTENANCE MODE.....	V-1
2.	LIST OF MAINTENANCE-MODE FUNCTIONS.....	V-2
3.	DETAILED DESCRIPTION OF MAINTENANCE-MODE FUNCTIONS	V-4
3.1	EEPROM Parameter Initialization.....	V-4
3.2	Printout of Scanning Compensation Data	V-5
3.3	ADF Performance Test.....	V-7
3.4	Test Pattern 1.....	V-8
3.5	Firmware Switch Setting and Printout.....	V-9
3.6	Operational Check of LCD.....	V-51
3.7	Operational Check of Control Panel PCB	V-51
3.8	Sensor Operational Check.....	V-53
3.9	Fine Adjustment of Scanning Start/End Position.....	V-54
3.10	CIS Scanner Area Setting.....	V-55
3.11	EEPROM Customizing	V-55
3.12	Equipment Error Code Indication.....	V-56
3.13	Output of Transmission Log to the Telephone Line	V-56
3.14	Document Draw Adjustment	V-57

1. ENTRY INTO THE MAINTENANCE MODE

American models (FAX560/FAX580MC/MFC660MC):

To make the facsimile equipment enter the maintenance mode, press the **Function**, *****, **2**, **8**, **6**, and **4** keys in this order.

|← Within 2 seconds →|

European models (FAX-T72/FAX-T74/FAX-T76):

To make the facsimile equipment enter the maintenance mode, press the **Menu**, *****, **2**, **8**, **6**, and **4** keys in this order.

|← Within 2 seconds →|

The equipment beeps for approx. one second and displays " ■■ MAINTENANCE ■■■ " on the LCD, indicating that it is placed in the initial stage of the maintenance mode, a mode in which the equipment is ready to accept entry from the keys.

To select one of the maintenance-mode functions listed in Section 2, enter the corresponding 2-digit function code with the numerical keys on the control panel. (The details of each maintenance-mode function are described in Section 3.)

- NOTES:**
- Pressing the **9** key twice in the initial stage of the maintenance mode makes the equipment exit from the maintenance mode, restoring it to the standby state.
 - Pressing the **Stop** button after entering only one digit restores the equipment to the initial stage of the maintenance mode.
 - If an invalid function code is entered, the equipment resumes the initial stage of the maintenance mode.

2. LIST OF MAINTENANCE-MODE FUNCTIONS

Maintenance-mode Functions

Function Code	Function	Reference Subsection (Page)
01	EEPROM Parameter Initialization	3.1 (V-4)
02	_____	_____
03	_____	_____
04	_____	_____
05	Printout of Scanning Compensation Data	3.2 (V-5)
06	_____	_____
07	_____	_____
08	ADF* Performance Test	3.3 (V-7)
09	Test Pattern 1	3.4 (V-8)
10	Firmware Switch Setting	3.5 (V-9)
11	Printout of Firmware Switch Data	3.5 (V-50)
12	Operational Check of LCD	3.6 (V-51)
13	Operational Check of Control Panel PCB (Check of Keys and Buttons)	3.7 (V-51)
32	Sensor Operational Check	3.8 (V-53)
54	Fine Adjustment of Scanning Start/End Position	3.9 (V-54)
55	CIS Scanner Area Setting	3.10 (V-55)
74	EEPROM Customizing	3.11 (V-55)
82	Equipment Error Code Indication	3.12 (V-56)
87	Output of Transmission Log to the Telephone Line	3.13 (V-56)
91	EEPROM Parameter Initialization (except the telephone number storage area)	3.1 (V-4)
99	Exit from the Maintenance Mode	---- (V-1)
-----	Document Draw Adjustment	3.14 (V-57)

* ADF: Automatic document feeder

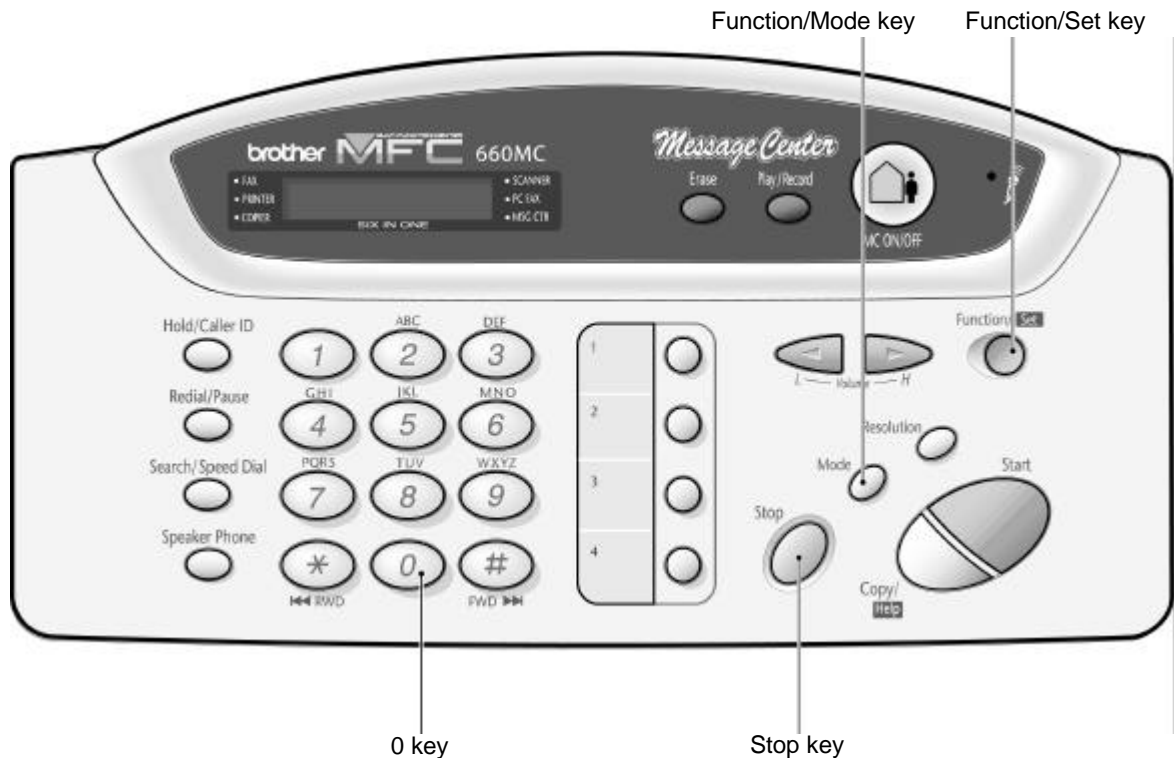
----- **IMPORTANT** -----

Basically, the maintenance-mode functions listed on the previous page should be accessed by service personnel only. However, you may allow end users to access some of these under the guidance of service personnel (e.g., by telephone).

The user-accessible functions (codes 10, 11, 12, 82, 87 and 91) are shaded in the table given on the previous page. Function code 10 accesses the firmware switches WSW01 to WSW37, each of which has eight selectors. You should not allow end users to access all of those selectors, but you may allow them to access user-accessible selectors which are shaded in the firmware switch tables in Subsection 3.5.

The service personnel should instruct end users to follow the procedure given below.

- (1) American models: Press the **Function** and **Mode** keys in this order.
European models: Press the **Menu** and **Mode** keys in this order.
The LCD clears the current display.
NOTE: The **Mode** key is disabled during standby for redialing or timer.
- (2) Press the **0** key.
- (3) Enter the desired function code (10, 11, 12, 82, 87, or 91) with the numerical keys.
For function code 10, access the desired firmware switch according to the operating procedure described in Subsection 3.5.
- (4) To make the equipment return to the standby state, press the **Stop** key.



3. DETAILED DESCRIPTION OF MAINTENANCE-MODE FUNCTIONS

3.1 EEPROM Parameter Initialization

n Function

The equipment initializes the parameters, user switches, and firmware switches registered in the EEPROM, to the initial values. Entering the function code 01 initializes all of the EEPROM areas, but entering 91 does not initialize some areas, as listed below.

Function code	01	91
Data item		
Maintenance-mode functions User switches Firmware switches Remote activation code Activity report Distinctive ringing patterns registered	All of these will be initialized	These will be initialized
Station ID data Outside line number Cover page custom comments Remote access code FAX forwarding/paging Personal mailbox password Telephone function registration One-touch dialing Speed dialing Group dialing		These will <u>not</u> be initialized
EEPROM customizing code (4-digit)	This will <u>not</u> be initialized. (Note that the first digit of the 4-digit code will be initialized to "0." If the code is 9001, for example, it will be initialized to 0001.)	

NOTE: If you replace the main PCB with one used for other facsimile equipment, carry out this procedure and then customize the EEPROM (maintenance-mode function code 74 in Section 3.11).

n Operating Procedure

- (1) Press the **0** and **1** keys (or the **9** and **1** keys according to your need) in this order in the initial stage of the maintenance mode.
The "PARAMETER INIT" will appear on the LCD.
- (2) Upon completion of parameter initialization, the equipment returns to the initial stage of the maintenance mode.

3.2 Printout of Scanning Compensation Data

n Function

The equipment prints out the white and black level data for scanning compensation.

n Operating Procedure

Do not start this function merely after powering on the equipment but start it after carrying out a sequence of scanning operation. Unless the equipment has carried out any scanning operation, this function cannot print out correct scanning compensation data. This is because at the start of scanning operation, the equipment initializes white and black level data and takes in the scanning compensation reference data.

- (1) Press the **0** and **5** keys in this order in the initial stage of the maintenance mode.
The "WHITE LEVEL 1" will appear on the LCD.
- (2) The equipment prints out the scanning compensation data list containing the following:
 - a) White level data (208 bytes)
 - b) Black level data (1 byte)
 - c) White level data for compensation operation of background color (100 bytes)
 - d) Initial clamp PWM value (1 byte)
 - e) Clamp PWM value (1 byte)
 - f) Compensation data for background color (1 byte)
 - g) Upper and lower limit data for the compensation factor of background color (2 bytes)
 - h) Initial LED light intensity value (1 byte)
 - i) LED light intensity value (1 byte)
 - j) LED light intensity value on the white film of the document pressure bar ASSY and documents (2 bytes)
 - k) Document rear sensor adjustment value (1 byte)
- (3) Upon completion of recording of the compensation data list, the equipment returns to the initial stage of the maintenance mode.

NOTE: If any data is abnormal, its code will be printed in inline style, as shown on the next page.

- a) 5F00 : 22 24 25 24 25 25 25 27 25 29 29 29 27 29 2B 2B
5F10 : 27 29 25 25 25 2B 2D 2D 2B 29 29 29 2D 2D 2B 2B
5F20 : 29 2D 2B 2B 2B 2D 2E 2D 2B 2B 27 25 25 2B 2B 2B
5F30 : 29 29 29 29 29 27 25 24 25 2B 29 27 29 29 27 29
5F40 : 27 29 25 25 25 2B 2B 2B 2B 29 2B 29 29 2B 2B 29
5F50 : 27 2B 27 29 2B 2B 29 29 27 29 25 25 25 2B 2D 2D
5F60 : 2B 2B 2B 2B 2B 2D 2D 2B 29 2B 2D 2E 2D 2D 2B 2B
5F70 : 2B 2B 29 29 27 2E 2E 2E 2D 2D 2D 2D 2D 2D 2D 2B
5F80 : 2D 32 32 34 32 32 32 32 30 30 2E 2B 29 2E 2E 30
5F90 : 30 2E 2E 2D 2B 2B 2B 2B 2D 30 2E 2E 2E 2D 2D 30
5FA0 : 2D 2E 2D 2B 29 2D 2D 2E 2E 2D 2D 2B 27 29 2B 29
5FB0 : 2D 2E 2D 2D 2E 2D 2D 2E 2D 2D 2D 2B 27 30 30 32
5FC0 : 34 32 32 30 30 30 30 2E 2E 30 32 2E 2E 2E 2E 3F
- b) 5F00 : 00
- c) 5F00 : 09 32 35 37 37 38 32 08 07 07 0B 07 05 05 05 08
5F10 : 08 08 37 39 3A 39 3A 3B 04 07 07 0A 36 39 3B 3B
5F20 : 3B 3C 0F 08 08 07 0A 3B 3B 3B 3B 39 34 04 08 04
5F30 : 08 1A 39 3B 3C 3C 3C 1D 08 09 08 08 37 3A 3A 3F
5F40 : 3E 3E 0A 09 08 38 3F 3F 3F 3E 3E 3F 00 08 08 00
5F50 : 00 0E 3F 3F 3E 3C 33 04 04 09 08 08 08 07 07 07
5F60 : 07 08 07 08
- d) 5F00 : AF
- e) 5F00 : AF
- f) 5F00 : 79
- g) 5F00 : 3A 80
- h) 5F00 : 81
- i) 5F00 : 81
- j) 5F00 : 77 7A
- k) 5F00 : AD

Scanning Compensation Data List

3.3 ADF Performance Test

n Function

The equipment counts the documents fed by the automatic document feeder (ADF) and displays the count on the LCD for checking the ADF performance.

n Operating Procedure

- (1) Set documents (Allowable up to the ADF capacity) in the initial stage of the maintenance mode.
The "DOC. READY" will appear on the LCD.
- (2) Press the **0** and **8** keys in this order.
The equipment
 - i) copies the 1st document and displays "COPY P.01 STD" on the LCD.
 - ii) feeds in and out the 2nd through 4th documents while counting without copying them as the LCD shows the corresponding count,
 - iii) copies the 5th document and displays "COPY P.05 STD" on the LCD,
 - iv) feeds in and out the 6th through 9th documents while counting without copying them as the LCD shows the corresponding count, and
 - v) copies the 10th document and displays "COPY P.10 STD" on the LCD.
- (3) Upon completion of feeding in and out all of the documents, the final count appears on the LCD.
- (4) Press the **Stop** key to return the equipment to the initial maintenance mode.

3.4 Test Pattern 1

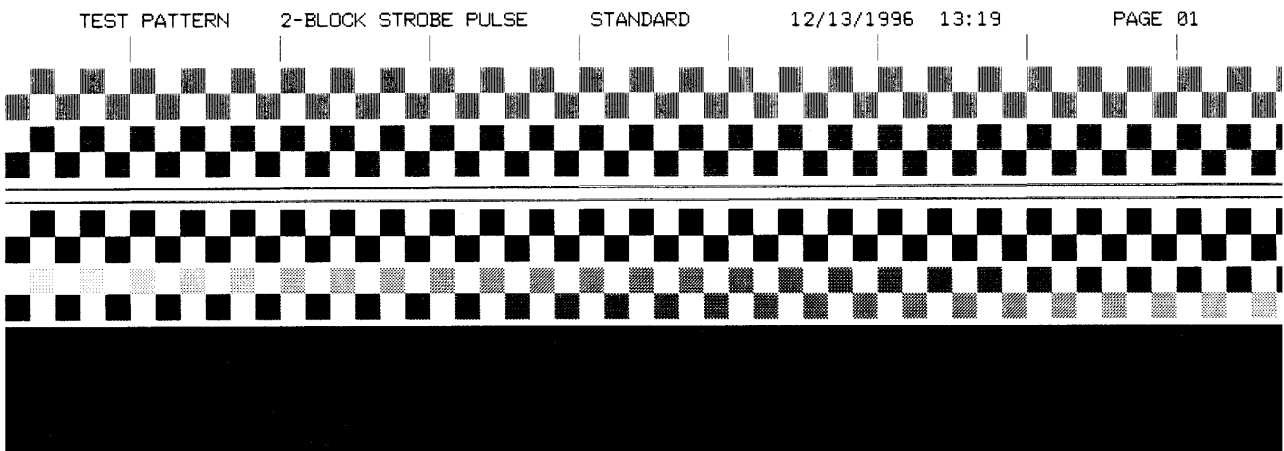
n Function

This function, much like the copying function, prints out test pattern 1 to allow the service personnel to check for record data missing or print quality.

n Operating Procedure

Press the **0** and **9** keys in this order in the initial stage of the maintenance mode.

The figure below shows test pattern 1.



Test Pattern 1

3.5 Firmware Switch Setting and Printout

[A] Firmware switch setting

n Function

The facsimile equipment incorporates the following firmware switch functions (WSW01 through WSW37) which may be activated with the procedures using the control panel keys and buttons. The firmware switches have been set at the factory in conformity to the communications standards and codes of each country. Do not disturb them unless necessary. Some firmware switches may not be applicable in some versions. The firmware switch data list indicates "Not used." for those inapplicable switches.

Firmware Switches (WSW01 through WSW37)

WSW No.	Function	Reference Page
WSW01	Dial pulse setting	V-11
WSW02	Tone signal setting	V-12
WSW03	PABX mode setting	V-13
WSW04	TRANSFER facility setting	V-15
WSW05	1st dial tone and busy tone detection	V-16
WSW06	Pause key setting and 2nd dial tone detection	V-18
WSW07	Dial tone setting 1	V-20
WSW08	Dial tone setting 2	V-21
WSW09	Protocol definition 1	V-22
WSW10	Protocol definition 2	V-23
WSW11	Busy tone setting	V-24
WSW12	Signal detection condition setting	V-25
WSW13	Modem setting	V-26
WSW14	AUTO ANS facility setting	V-27
WSW15	REDIAL facility setting	V-28
WSW16	Function setting 1	V-29
WSW17	Function setting 2	V-30
WSW18	Function setting 3	V-31
WSW19	Transmission speed setting	V-32
WSW20	Overseas communications mode setting	V-33
WSW21	TAD setting 1	V-34
WSW22	ECM and caller ID setting	V-35
WSW23	Communications setting	V-36
WSW24	TAD setting 2	V-37
WSW25	TAD setting 3	V-38
WSW26	Function setting 4	V-39
WSW27	Function setting 5	V-40
WSW28	Function setting 6	V-41
WSW29	Function setting 7	V-42
WSW30	Function setting 8	V-43
WSW31	Function setting 9	V-44
WSW32	Function setting 10	V-45
WSW33	Function setting 11	V-46
WSW34	Function setting 12	V-47
WSW35	Function setting 13	V-48
WSW36	Function setting 14	V-48
WSW37	Function setting 15	V-49

n Operating Procedure

- (1) Press the **1** and **0** keys in this order in the initial stage of the maintenance mode.
The equipment displays the "WSW00" on the LCD and becomes ready to accept a firmware switch number.
- (2) Enter the desired number from the firmware switch numbers (01 through 37).
The following appears on the LCD:

WSWXX = 0 0 0 0 0 0 0 0
 | |
 Selector No.1 Selector No.8

- (3) Use the ◀ and ▶ keys to move the cursor to the selector position to be modified.
- (4) Enter the desired number using the **0** and **1** keys.
- (5) Press the **Set** key. This operation saves the newly entered selector values onto the EEPROM and readies the equipment for accepting a firmware switch number.
- (6) Repeat steps (2) through (5) until the modification for the desired firmware switches is completed.
- (7) Press the **Set** or **Stop** key to return the equipment to the initial stage of the maintenance mode.

- NOTES:**
- To cancel this operation and return the equipment to the initial stage of the maintenance mode during the above procedure, press the **Stop** key.
 - If there is a pause of more than one minute after a single-digit number is entered for double-digit firmware switch numbers, the equipment will automatically return to the initial stage of the maintenance mode.

n Note

The user-accessible selectors of the firmware switches are shaded in the tables given on the following pages.

n Detailed Description for the Firmware Switches

WSW01 (Dial pulse setting)

Selector No.	Function	Setting and Specifications
1 2	Dial pulse generation mode	No. 1 2 0 0 : N 0 1 : N+1 1 0 : 10-N 1 1 : N
3 4	Break time length in pulse dialing	No. 3 4 0 0 : 60 ms 0 1 : 67 ms 1 0 : 40 ms (for 16 PPS) 1 1 : 64 ms (at 106-ms intervals)
5 6	Inter-digit pause	No. 5 6 0 0 : 800 ms 0 1 : 850 ms 1 0 : 950 ms 1 1 : 600 ms
7	Switching between pulse (DP) and tone (PB) dialing, by the function switch	0: Yes 1: No
8	Default dialing mode, pulse (DP) or tone (PB) dialing	0: PB 1: DP

I Selectors 1 and 2: Dial pulse generation mode

These selectors set the number of pulses to be generated in pulse dialing.

N: Dialing "N" generates "N" pulses. (Dialing "0" generates 10 pulses.)

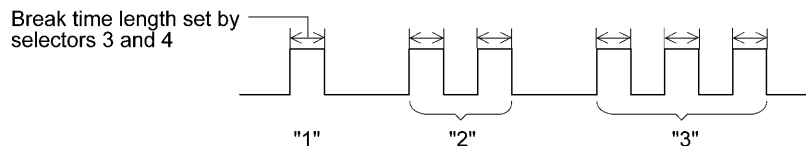
N + 1: Dialing "N" generates "N + 1" pulses.

10 - N: Dialing "N" generates "10 - N" pulses.

I Selectors 3 and 4: Break time length in pulse dialing

These selectors set the break time length in pulse dialing.

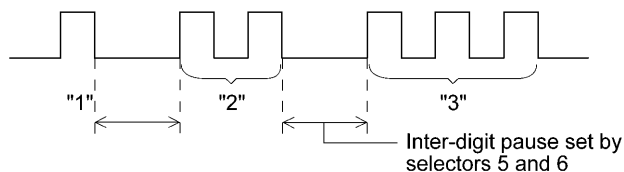
(Example: If "1," "2," and "3" are dialed when N is set by selectors 1 and 2.)



I Selectors 5 and 6: Inter-digit pause

These selectors set the inter-digit pause in pulse dialing.

(Example: If "1," "2," and "3" are dialed when N is set by selectors 1 and 2.)



I Selector 7: Switching between pulse (DP) and tone (PB) dialing, by the function switch

This selector determines whether or not the dialing mode may be switched between the pulse (DP) and tone (PB) dialing by using the function switch.

I Selector 8: Default dialing mode, pulse (DP) or tone (PB) dialing

This selector sets the default dialing mode (pulse dialing or tone dialing) which may be changed by the function switch. If the user switches it with the function switch when selector 7 is set to "0," the setting specified by this selector will also be switched automatically.

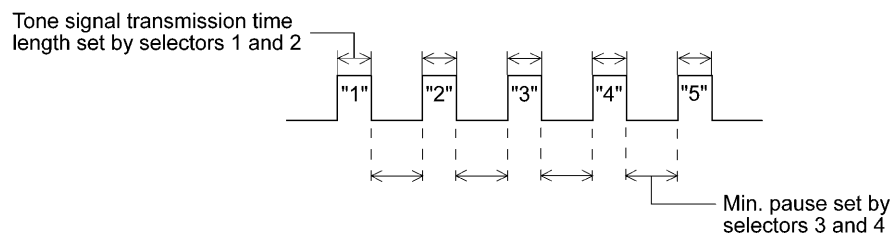
WSW02 (Tone signal setting)

Selector No.	Function	Setting and Specifications
1 2	Tone signal transmission time length	No. 1 2 0 0 : 70 ms 0 1 : 80 ms 1 0 : 90 ms 1 1 : 100 ms
3 4	Min. pause in tone dialing	No. 3 4 0 0 : 70 ms 0 1 : 80 ms 1 0 : 90 ms 1 1 : 140 ms
5 8	Attenuator for pseudo ring backtone to the line (selectable in the range of 0-15 dB)	0: 0 dB 1: 8 dB 0: 0 dB 1: 4 dB 0: 0 dB 1: 2 dB 0: 0 dB 1: 1 dB

I Selectors 1 through 4: Tone signal transmission time length and Min. pause in tone dialing

These selectors set the tone signal transmission time length and minimum pause in tone dialing.

(Example: If "1," "2," "3," "4," and "5" are dialed.)



I Selectors 5 through 8: Attenuator for pseudo ring backtone to the line

These selectors are used to adjust the sound level of beep generated as a ring backtone in the F/T mode or as a signal during remote control operation or at the start of ICM recording.

Setting two or more selectors to "1" produces addition of attenuation assigned to each selector. This setting will be limited if selector 8 of WSW23 is set to "0."

WSW03 (PABX* mode setting)

Selector No.	Function	Setting and Specifications
1	CNG detection when sharing a modular wall socket with a telephone	0: A 1: B
2 4	Min. detection time length of PABX* dial tone, required for starting dialing	No. 2 3 4 0 0 0 : 50 ms 0 0 1 : 210 ms 0 1 0 : 500 ms 0 1 1 : 800 ms 1 0 0 : 900 ms 1 0 1 : 1.5 sec. 1 1 0 : 2.0 sec. 1 1 1 : 2.5 sec.
5	CNG detection when sharing a modular wall socket with a telephone	0: A 1: B
6 7	Dial tone detection in PABX*	No. 6 7 0 0 : No detection (3.5 sec. WAIT) 0 1 : No detection (5 sec. WAIT) 1 0 : No detection (7 sec. WAIT) 1 1 : Detection (Frequency only)
8	"R" key function	0: 1st dial tone detection add 1: No 1st dial tone detection

* PABX: Private automatic branch exchange

NOTE: Selectors 2 through 4 and 6 through 8 are not applicable where no PABX is installed.

I Selectors 1 and 5: CNG detection when sharing a modular wall socket with a telephone

These selectors determine whether or not the equipment detects a CNG signal when a line is connected to a telephone sharing a modular wall socket with the equipment. Upon detection of CNG signals by the number of cycles specified by these selectors, the equipment interprets CNG as an effective signal and then starts FAX reception.

Selector		Cycle
No. 1	No. 5	
0 (A)	0 (A)	0.5 cycle
0 (A)	1 (B)	1.0 cycle
1 (B)	0 (A)	1.5 cycles
1 (B)	1 (B)	2.0 cycles

I Selectors 2 through 4: Min. detection time length of PABX dial tone, required for starting dialing

Upon detection of the PABX dial tone for the time length set by these selectors, the equipment starts dialing.

These selectors are effective only when both selectors 6 and 7 are set to "1" (Detection).

I Selectors 6 and 7: Dial tone detection in PABX

These selectors activate or deactivate the dial tone detection function which detects a dial tone when a line is connected to the PABX.

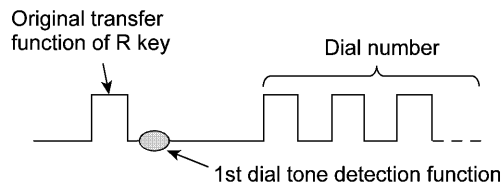
Setting both of these selectors to "1" activates the dial tone detection function so that the equipment starts dialing upon detection of a dial tone when a line is connected.

Other setting combinations deactivate the dial tone detection function so that the equipment starts dialing after the specified WAIT (3.5, 5.0, or 7.0 sec.) without detection of a dial tone when a line is connected.

I Selector 8: "R" key function

This selector determines whether or not the 1st dial tone detection function (specified by selectors 1 through 3 of WSW05) is added to the R key.

If this selector is set to "0," pressing the R key automatically activates the 1st dial tone detection function when the PABX and the automatic calling are selected by using the function switch. If you press the R key and a dial number in succession, the equipment will automatically carry out the 1st dial tone detection function following the original transfer function as shown below.



WSW04 (TRANSFER facility setting)

Selector No.	Function	Setting and Specifications
1	Earth function in transfer facility	0: Provided 1: Not provided
2 3	Dual tone detection frequency in ICM recording	No. 2 3 0 0 : 350 and 440 Hz (A) 0 1 : 440 and 480 Hz (B) 1 x : 480 and 620 Hz (C)
4	Tone detection sensitivity in ICM recording	0: OFF 1: High
5 6	Earth time length for earth function	No. 5 6 0 0 : 200 ms 0 1 : 300 ms 1 0 : 500 ms 1 1 : 700 ms
7 8	Break time length for flash function	No. 7 8 0 0 : 80 ms 0 1 : 110 ms 1 0 : 250 ms 1 1 : 500 ms

NOTE: Selectors 1 and 5 through 8 are not applicable in those countries where no transfer facility is supported.

NOTE: Selectors 2 through 4 are applicable to those models equipped with a built-in TAD.

NOTE: Selectors 2 and 3 are applicable in the U.S.A.

I Selector 1: Earth function in transfer facility

This selector determines whether or not the earth function is added to the transfer setting menu to be accessed by the function switch.

I Selectors 2 and 3: Dual tone detection frequency in ICM recording

If the equipment detects either of the frequencies set by these selectors in ICM recording, it will disconnect the line. For example, if these selectors are set to "0, 0," the equipment will disconnect the line upon detection of 350 Hz or 440 Hz.

I Selectors 4: Tone detection sensitivity in ICM recording

Setting this selector to "1" increases the tone detection sensitivity in ICM recording.

I Selectors 5 and 6: Earth time length for earth function

These selectors set the short-circuiting time length of the telephone line (La or Lb) to ground.

This setting is effective only when the earth function is selected for the R key by using the function switch.

I Selectors 7 and 8: Break time length for flash function

These selectors set the break time length.

This setting is effective only when the flash function is selected for the R key by using the function switch.

WSW05 (1st dial tone and busy tone detection)

Selector No.	Function	Setting and Specifications
1 3	1st dial tone detection	No. 1 2 3 0 0 0 : 3.5 sec. WAIT 0 0 1 : 7.0 sec. WAIT 0 1 0 : 10.5 sec. WAIT 0 1 1 : 14.0 sec. WAIT 1 0 0 : 17.5 sec. WAIT 1 0 1 : 21.0 sec. WAIT 1 1 0 : 24.5 sec. WAIT 1 1 1 : Detection (Without WAIT)
4	Max. pause time allowable for remote ID code detection	0 : 2 seconds 1: 1 second
5 6	Busy tone detection in automatic sending mode	No. 5 6 0 0 : No detection 0 1 : Detection only after dialing 1 0 : No detection 1 1 : Detection before and after dialing
7	Busy tone detection in automatic receiving mode	0: Yes 1: No
8	Not used.	

NOTE: Selectors 5 through 7 are not applicable in those countries where no busy tone detection is supported, e.g., U.S.A.

I Selectors 1 through 3: 1st dial tone detection

These selectors activate or deactivate the 1st dial tone detection function which detects the 1st dial tone issued from the PSTN when a line is connected to the PSTN.

Setting all of these selectors to "1" activates the dial tone detection function so that the equipment starts dialing upon detection of a dial tone when a line is connected. (However, in those countries which support no dial tone detection function, e.g., in the U.S.A., setting these selectors to "1" makes the equipment start dialing after a WAIT of 3.5 seconds.) For the detecting conditions of the 1st dial tone, refer to WSW07 and WSW08.

Other setting combinations deactivate the dial tone detection function so that the equipment starts dialing after the specified WAIT (3.5, 7.0, 10.5, 14.0, 17.5, 21.0, or 24.5 seconds) without detection of a dial tone when a line is connected to the PSTN.

I **Selector 4: Max. pause time allowable for remote ID code detection**

This selector sets the maximum pause time allowable for detecting the second digit of a remote ID code after detection of the first digit in remote reception.

If selector 4 is set to "0" (2 seconds), for instance, only a remote ID code whose second digit is detected within 2 seconds after detection of the first digit will become effective so as to activate the remote function.

I **Selectors 5 and 6: Busy tone detection in automatic sending mode**

These selectors determine whether or not the equipment automatically disconnects a line upon detection of a busy tone in automatic sending mode.

Setting selector 6 to "0" ignores a busy tone so that the equipment does not disconnect the line.

Setting selectors 5 and 6 to "0" and "1," respectively, makes the equipment detect a busy tone only after dialing and disconnect the line.

Setting both of selectors 5 and 6 to "1" makes the equipment detect a busy tone before and after dialing and then disconnect the line.

I **Selector 7: Busy tone detection in automatic receiving mode**

This selector determines whether or not the equipment automatically disconnects a line upon detection of a busy tone in automatic receiving mode.

WSW06 (Pause key setting and 2nd dial tone detection)

Selector No.	Function	Setting and Specifications
1 3	Pause key setting and 2nd dial tone detection	No.1 2 3 0 0 0 : No pause 0 0 1 : 3.5 sec. WAIT 0 1 0 : 7 sec. WAIT 0 1 1 : 10.5 sec. WAIT 1 0 0 : 14 sec. WAIT 1 1 0 : 2nd dial tone detection only in pulse dialing (DP) system 1 0 1 : } 2nd dial tone detection 1 1 1 : } both in DP and push-button (PB) dialing system
4 6	Detection of international tone	No.4 5 6 0 0 0 : 50 ms 0 0 1 : 210 ms 0 1 0 : 500 ms 0 1 1 : 800 ms 1 0 0 : 900 ms 1 0 1 : 1.5 sec. 1 1 0 : 2.0 sec. 1 1 1 : 2.5 sec.
7	No. of 2nd dial tone detection times	0: Once 1: Twice
8	2nd dial tone interrupt detecting time	0: 30 ms 1: 50 ms

NOTE: Selectors 4 through 8 are not applicable in those countries where no dial tone detection is supported, e.g., U.S.A.

I **Selectors 1 through 3: Pause key setting and 2nd dial tone detection**

Selectors			
1	2	3	
0	0	0	No WAIT is inserted even if the Pause key is pressed.
0	0	1	If you press the Pause key during dialing, the facsimile equipment will insert WAIT as defined in the above table. If the Pause key is pressed repeatedly, the equipment inserts the specified WAIT multiplied by the number of depressions. It applies also in hook-up dialing.
0	1	0	
0	1	1	
1	0	0	
1	0	1	When these selectors are set to "1, 0, 1": Each time you press the Pause key in dialing, the equipment will wait for the 2nd dial tone to be sent via the communications line regardless of pulse dialing or tone dialing. When these selectors are set to "1, 1, 0": If you press the Pause key in pulse dialing, the equipment will first wait for the 2nd dial tone to be sent via the communications line. After that, pressing the Pause key will cause the equipment to insert a WAIT of 3.5 seconds. In tone dialing, the equipment will insert a WAIT of 3.5 seconds. When these selectors are set to "1, 1, 1": If you press the Pause key, the equipment will first wait for the 2nd dial tone to be sent via the communications line regardless of pulse dialing or tone dialing. After that, pressing the Pause key will cause the equipment to insert a WAIT of 3.5 seconds. (In those countries where no dial tone detection function is supported, setting these selectors to "1, 1, 0," "1, 0, 1," or "1, 1, 1" inserts a WAIT of 3.5 seconds.)
1	1	0	
1	1	1	

I **Selectors 4 through 6: Detection of international tone**

Upon detection of the 2nd dial tone for the time length specified by these selectors, the equipment starts dialing.

This setting is effective only when the 2nd dial tone detection function is activated by selectors 1 through 3 (Setting 1 0 1, 1 1 0, or 1 1 1).

This function does not apply in those countries where no dial tone detection function is supported.

I **Selector 7: No. of 2nd dial tone detection times**

This selector sets the number of dial tone detection times required for starting dialing.

I **Selector 8: 2nd dial tone interrupt detecting time**

This selector sets the allowable time length of an interrupt which should not be interpreted as an interrupt in the 2nd tone dialing.

WSW07 (Dial tone setting 1)

Selector No.	Function	Setting and Specifications
1 2	Frequency band range	No. 1 2 0 0 : Narrows by 10 Hz 0 1 : Initial value 1 X : Widens by 10 Hz
3	Line current detection	0: No 1: Yes
4 6	2nd dial tone detection level (Z = 600 Ω)	No. 4 5 6 0 0 0 : -21 dBm 0 0 1 : -24 dBm 0 1 0 : -27 dBm 0 1 1 : -30 dBm 1 0 0 : -33 dBm 1 0 1 : -36 dBm 1 1 0 : -39 dBm 1 1 1 : -42 dBm
7	1st dial tone interrupt detecting time	0: 30 ms 1: 50 ms
8	PABX loop current control	0: Disabled 1: Enabled

NOTE: The WSW07 is not applicable in those countries where no dial tone or line current detection is supported, e.g., U.S.A.

NOTE: If selector 3 is set to "1", manual dialing becomes impossible in those countries where no line current detection is supported.

I Selectors 1 and 2: Frequency band range

These selectors set the frequency band for the 1st dial tone and the busy tone (before dialing) to be detected.

This setting is effective only when selectors 1 through 3 of WSW05 are set to "1,1,1."

I Selector 3: Line current detection

This selector determines whether or not the equipment should detect a line current before starting dialing.

I Selectors 4 through 6: 2nd dial tone detection level

These selectors set the detection level of the 2nd dial tone.

I Selector 7: 1st dial tone interrupt detecting time

This selector sets the allowable time length of an interrupt which should not be interpreted as an interrupt in the 1st dial tone dialing.

I Selector 8: PABX loop current control

This selector determines whether the PABX loop current control will be enabled or disabled. Setting this selector to "1" enables the loop current control that automatically switches the internal resistance inserted in series with the communications line on and off depending upon the loop current amount. Setting this selector to "0" disables the loop current control and keeps the internal resistance on.

For some PABXs that are not compatible with the facsimile equipment in voltage rating, set this selector to "0."

The setting made by this selector takes effect only when the user selects the PABX. If no PABX is selected, the PABX loop current control will be enabled independent of this setting.

WSW08 (Dial tone setting 2)

Selector No.	Function	Setting and Specifications
1 3	1st dial tone detection time length	No. 1 2 3 0 0 0 : 50 ms 0 0 1 : 210 ms 0 1 0 : 500 ms 0 1 1 : 800 ms 1 0 0 : 900 ms 1 0 1 : 1.5 sec. 1 1 0 : 2.0 sec. 1 1 1 : 2.5 sec.
4 5	Time-out length for 1st and 2nd dial tone detection	No. 4 5 0 0 : 10 sec. 0 1 : 20 sec. 1 0 : 15 sec. 1 1 : 30 sec.
6 8	Detection level of 1st dial tone and busy tone before dialing	No. 6 7 8 0 0 0 : -21 dBm 0 0 1 : -24 dBm 0 1 0 : -27 dBm 0 1 1 : -30 dBm 1 0 0 : -33 dBm 1 0 1 : -36 dBm 1 1 0 : -39 dBm 1 1 1 : -42 dBm

NOTE: The WSW08 is not applicable in those countries where no dial tone detection is supported, e.g., U.S.A.

I Selectors 1 through 3: 1st dial tone detection time length

Upon detection of the 1st dial tone for the time length set by these selectors, the equipment starts dialing.

This setting is effective only when selectors 1 through 3 of WSW05 are set to "1,1,1."

I Selectors 4 and 5: Time-out length for 1st and 2nd dial tone detection

These selectors set the time-out length for the 1st and 2nd dial tone detection so that the equipment waits dial tone input for the specified time length and disconnects itself from the line when no dial tone is inputted.

WSW09 (Protocol definition 1)

Selector No.	Function	Setting and Specifications
1	Frame length selection	0: 256 octets 1: 64 octets
2	Use of non-standard commands	0: Allowed 1: Prohibited
3 4	No. of retries	No. 3 4
		0 0 : 4 times
		0 1 : 3 times
		1 0 : 2 times
		1 1 : 1 time
5	T5 timer	0: 300 sec. 1: 60 sec.
6	T1 timer	0: 35 sec. 1: 40 sec.
7 8	Elapsed time for time-out control for no response from the called station in automatic sending mode	No. 7 8
		0 0 : 55 sec. (U.S.A./Canada versions)
		60 sec. (Other versions)
		0 1 : 140 sec.
		1 0 : 90 sec.
		1 1 : 35 sec.

NOTE: Selectors 1 through 5 are not applicable in those models which do not support ECM.

I Selector 1: Frame length selection

Usually a single frame consists of 256 octets (1 octet = 8 bits). For communications lines with higher bit error rate, however, set selector 1 to "1" so that the facsimile equipment can divide a message into 64-octet frames.

Remarks: The error correction mode (ECM) is a facsimile transmission manner in which the equipment divides a message into frames for transmission so that if any data error occurs on the transmission line, the equipment retransmits only those frames containing the error data.

I Selector 2: Use of non-standard commands

If this selector is set to "0," the equipment may use non-standard commands (the machine's native-mode commands, e.g., NSF, NSC, and NSS) for communications. If it is set to "1," the equipment will use standard commands only.

I Selectors 3 and 4: No. of retries

These selectors set the number of retries in each specified modem transmission speed.

I Selector 5: T5 timer

This selector sets the time length for the T5 timer.

I Selector 6: T1 timer

This selector sets the time length for the T1 timer.

I Selectors 7 and 8: Elapsed time for time-out control

If the equipment receives no response (no G3 command) from the called terminal in automatic sending during the time set by these selectors, it disconnects the line.

WSW10 (Protocol definition 2)

Selector No.	Function	Setting and Specifications
1	Switching of DPS, following the CML ON/OFF	0: No 1: Yes
2	Time length from transmission of the last dial digit to CML ON	0: 100 ms 1: 50 ms
3	Time length from CML ON to CNG transmission	0: 2 sec. 1: 4 sec.
4	Time length from CML ON to CED transmission (except for facsimile-to-telephone switching)	0: 0.5 sec. 1: 2 sec.
5 6	No. of training retries	No. 5 6
		0 0 : 1 time
		0 1 : 2 times
		1 0 : 3 times
		1 1 : 4 times
7 8	Not used.	

┆ **Selector 1: Switching of DPS, following the CML ON/OFF**

Setting this selector to "1" automatically switches DPS following the CML ON/OFF operation.

┆ **Selector 2: Time length from transmission of the last dial digit to CML ON**

This selector sets the time length from when the equipment transmits the last dial digit until the CML relay comes on.

┆ **Selector 3: Time length from CML ON to CNG transmission**

This selector sets the time length until the equipment transmits a CNG after it turns on the CML relay.

┆ **Selector 4: Time length from CML ON to CED transmission**

This selector sets the time length until the equipment transmits a CED after it turns on the CML relay. This setting does not apply to switching between facsimile and telephone.

┆ **Selectors 5 and 6: No. of training retries**

These selectors set the number of training retries to be repeated before automatic fallback.

WSW11 (Busy tone setting)

Selector No.	Function	Setting and Specifications
1 2	Frequency band range	No. 1 2 0 0 : Narrows by 10 Hz 0 1 : Initial value 1 x : Widens by 10 Hz
3	Not used.	
4	ON/OFF time length ranges (More than one setting allowed)	1: 400-600/400-600 ms
5		1: 175-440/175-440 ms
6		1: 100-1000/17-660 ms
7		1: 110-410/320-550 ms
8		1: 100-660/100-660 ms

NOTE: WSW11 is not applicable in those countries where no busy tone detection is supported.

NOTE: The setting of WSW11 is effective only when selectors 5 and 6 of WSW05 are set to "0, 1" or "1, 1" (Busy tone detection).

I Selectors 1 and 2: Frequency band range

These selectors set the frequency band for busy tone to be detected.

I Selectors 4 through 8: ON/OFF time length ranges

These selectors set the ON and OFF time length ranges for busy tone to be detected. If more than one selector is set to "1," the ranges become wider. For example, if selectors 4 and 5 are set to "1," the ON and OFF time length ranges are from 175 to 600 ms.

WSW12 (Signal detection condition setting)

Selector No.	Function	Setting and Specifications
1 2	Min. OFF time length of calling signal (Ci)	No. 1 2 0 0 : 1500 ms 0 1 : 500 ms 1 0 : 700 ms 1 1 : 900 ms
3 4	Max. OFF time length of calling signal (Ci)	No. 3 4 0 0 : 6 sec. 0 1 : 7 sec. 1 0 : 9 sec. 1 1 : 11 sec.
5 6	Detecting time setting	No. 5 6 0 0 : 800 ms (1000 ms*) 0 1 : 200 ms 1 0 : 250 ms 1 1 : 150 ms
7	Delay	0: Yes 1: No
8	Not used.	

* 1000 ms in Chinese versions.

I Selectors 1 through 4: Min. and max. OFF time length of calling signal (Ci)

If the equipment detects the OFF state of calling signal (Ci) for a time length which is greater than the value set by selectors 1 and 2 and less than the value set by selectors 3 and 4, it interprets the Ci signal as OFF.

I Selectors 5 and 6: Detecting time setting

These selectors set the time length required to make the equipment acknowledge itself to be called. That is, if the equipment continuously detects calling signals with the frequency set by selectors 1 through 4 of WSW14 during the time length set by these selectors 5 and 6, it acknowledges the call.

I Selector 7: Delay

Setting this selector to "0" allows the equipment to insert a 900 ms WAIT after acknowledgment of the call until the equipment turns on the CML relay to start receiving operation.

WSW13 (Modem setting)

Selector No.	Function	Setting and Specifications
1 2	Cable equalizer	No. 1 2 0 0 : 0 km 0 1 : 1.8 km 1 0 : 3.6 km 1 1 : 5.6 km
3 4	Reception level	No. 3 4 0 0 : -43 dBm 0 1 : -47 dBm 1 0 : -49 dBm 1 1 : -51 dBm
5 8	Modem attenuator	0: 0 dB 1: 8 dB 0: 0 dB 1: 4 dB 0: 0 dB 1: 2 dB 0: 0 dB 1: 1 dB

The modem should be adjusted according to the user's line conditions.

I Selectors 1 and 2: Cable equalizer

These selectors are used to improve the pass-band characteristics of analogue signals on a line. (Attenuation in the high-band frequency is greater than in the low-band frequency.)

Set these selectors according to the distance from the telephone switchboard to the facsimile equipment.

I Selectors 3 and 4: Reception level

These selectors set the optimum receive signal level.

I Selectors 5 through 8: Modem attenuator

These selectors are used to adjust the transmitting level of the modem when the reception level at the remote station is improper due to line loss. This function applies for G3 protocol signals.

Setting two or more selectors to "1" produces addition of attenuation assigned to each selector.

This setting will be limited if selector 8 of WSW23 is set to "0."

WSW14 (AUTO ANS facility setting)

Selector No.	Function	Setting and Specifications
1 2	Frequency band selection (Lower limit)	No. 1 2 0 0 : 13 Hz 0 1 : 15 Hz 1 0 : 23 Hz 1 1 : 20 Hz
3 4	Frequency band selection (Upper limit)	No. 3 4 0 0 : 30 Hz 0 1 : 55 Hz 1 X : 70 Hz
5 8	No. of rings in AUTO ANS mode	No. 5 6 7 8 0 0 0 0 : Fixed to once 0 0 0 1 : Fixed to 2 times 0 0 1 0 : Fixed to 3 times 0 0 1 1 : Fixed to 4 times 0 1 0 0 : 1 to 2 times 0 1 0 1 : 1 to 3 times 0 1 1 0 : 1 to 4 times 0 1 1 1 : 1 to 5 times 1 0 0 0 : 2 to 3 times 1 0 0 1 : 2 to 4 times 1 0 1 0 : 2 to 5 times 1 0 1 1 : 2 to 6 times 1 1 0 0 : 1 to 10 times 1 1 0 1 : 2 to 10 times 1 1 1 0 : 3 to 5 times 1 1 1 1 : 4 to 10 times

I Selectors 1 through 4: Frequency band selection

These selectors are used to select the frequency band of calling signals for activating the AUTO ANS facility.

In the French versions, if the user sets the PBX to OFF from the control panel, the setting made by selectors 1 and 2 will take no effect and the frequency's lower limit will be fixed to 32 Hz. (Even if the setting made by these selectors does not apply, it will be printed on the configuration list.)

I Selectors 5 through 8: No. of rings in AUTO ANS mode

These selectors set the number of rings to initiate the AUTO ANS facility.

WSW15 (REDIAL facility setting)

Selector No.	Function	Setting and Specifications
1 2	Selection of redial interval	No. 1 2 0 0 : 5 minutes 0 1 : 1 minute 1 0 : 2 minutes 1 1 : 3 minutes
3 6	No. of redialings	No. 3 4 5 6 0 0 0 0 : 16 times 0 0 0 1 : 1 times 0 0 1 0 : 2 times 0 0 1 1 : 3 times 1 1 1 1 : 15 times
7 8	Not used.	

I Selectors 1 through 6: Selection of redial interval and No. of redialings

The equipment redials by the number of times set by selectors 3 through 6 at intervals set by selectors 1 and 2.

WSW16 (Function setting 1)

Selector No.	Function	Setting and Specifications
1	Not used.	
2	CCITT superfine recommendation	0: OFF 1: ON
3 6	Not used.	
7	Max. document length limitation	0: 400 cm 1: 90 cm
8	Stop key pressed during reception	0: Not functional 1: Functional

l **Selector 2: CCITT superfine recommendation**

If this selector is set to "1," the equipment communicates in CCITT recommended superfine mode (15.4 lines/mm). If it is set to "0," it communicates in native superfine mode.

l **Selector 7: Max. document length limitation**

This selector is used to select the maximum length of a document to be sent.

l **Selector 8: Stop key pressed during reception**

If this selector is set to "1," pressing the **Stop** key can stop the current receiving operation. The received data will be lost.

WSW17 (Function setting 2)

Selector No.	Function	Setting and Specifications
1 2	Off-hook alarm	No. 1 2 0 0 : No alarm 0 1 : Always valid 1 X : Valid except when 'call reservation' is selected.
3	Power failure report output	0: ON 1: OFF
4	Calendar clock/prompt alternate display	0: NO 1: YES
5	Calendar clock type	0: U.S.A. type 1: European type
6	Error indication in activity report	0: NO 1: YES
7	Non-ring reception	0: OFF 1: ON
8	Not used.	

NOTE: Selector 3 is not applicable to the U.S.A. versions.

I Selectors 1 and 2: Off-hook alarm

These selectors activate or deactivate the alarm function which sounds an alarm when the communication is completed with the handset being off the hook.

I Selector 3: Power failure report output

This selector determines whether or not the equipment outputs a power failure report when the power comes back on.

I Selector 4: Calendar clock/prompt alternate display

If this selector is set to "1," the calendar clock and the prompt "INSERT DOCUMENT" appear alternately on the LCD while the equipment is on standby; if it is set to "0," only the calendar clock appears.

I Selector 5: Calendar clock type

If this selector is set to "0" (USA), the MM/DD/YY hh:mm format applies; if it is set to "1" (Europe), the DD/MM/YY hh:mm format applies: DD is the day, MM is the month, YY is the last two digits of the year, hh is the hour, and mm is the minute.

I Selector 6: Error indication in activity report

This selector determines whether or not a communications error code will be printed in the activity report.

I Selector 7: Non-ring reception

Setting this selector to "1" makes the equipment receive calls without ringer sound if the ring delay is set to 0.

WSW18 (Function setting 3)

Selector No.	Function	Setting and Specifications
1	Not used.	
2 3	Detection enabled time for CNG and no tone	No. 2 3 0 0 : 40 sec. 0 1 : 0 sec. (No detection) 1 0 : 5 sec. 1 1 : 80 sec.
4 5	Not used.	
6	Registration of station ID	0: Permitted 1: Prohibited
7 8	Tone sound monitoring	No. 7 8 0 X : No monitoring 1 0 : Up to phase B at the calling station only 1 1 : All transmission phases both at the calling and called stations

I Selectors 2 and 3: Detection enabled time for CNG and no tone

After the line is connected via the external telephone or by picking up the handset of the facsimile equipment, the equipment can detect a CNG signal or no tone for the time length specified by these selectors. The setting specified by these selectors becomes effective only when selector 8 of WSW20 is set to "1."

I Selectors 7 and 8: Tone sound monitoring

These selectors set monitoring specifications of the tone sound inputted from the line.

WSW19 (Transmission speed setting)

Selector No.	Function	Setting and Specifications
1 3	First transmission speed choice for fallback	No. 1 2 3 No. 4 5 6 0 0 0 : 2,400 bps 0 0 1 : 4,800 bps 0 1 0 : 7,200 bps 0 1 1 : 9,600 bps 1 0 0 : 12,000 bps * 1 0 1 : } 1 1 0 : } 14,400 bps * 1 1 1 : }
4 6	Last transmission speed choice for fallback	
7	Not used.	
8	V. 17 mode	0: Permitted 1: Prohibited

* In those models with a maximum of 9600 bps capability, selection of 12,000 bps or 14,400 bps will still only produce a set speed automatically reduced to 9600 bps.

NOTE: Selector 8 is applicable only to those models that support 14,400 bps.

I Selectors 1 through 6: First and last choices of transmission speed for fallback

These selectors are used to set the MODEM speed range. With the first transmission speed choice specified by selectors 1 through 3, the equipment attempts to establish the transmission link via the MODEM. If the establishment fails, the equipment automatically steps down to the next lowest speed and attempts to establish the transmission link again. The equipment repeats this sequence while stepping down the transmission speed to the last choice specified by selectors 4 through 6.

If the MODEM always falls back to a low transmission speed (e.g., 4,800 bps), set the first transmission speed choice to the lower one (e.g., modify it from 12,000 bps to 7,200 bps) in order to deactivate the high-speed MODEM function and reduce the training time for shorter transmission time.

Generally, to save the transmission time, set the last transmission speed choice to a higher one.

WSW20 (Overseas communications mode setting)

Selector No.	Function	Setting and Specifications
1	EP* tone prefix	0: OFF 1: ON
2	Overseas communications mode (Reception)	0: 2100 Hz 1: 1100 Hz
3	Overseas communications mode (Transmission)	0: OFF 1: Ignores DIS once.
4 5	Min. time length from reception of CFR to start of transmission of video signals	No. 4 5 0 0 : 100 ms 0 1 : 200 ms 1 0 : 300 ms 1 1 : 400 ms
6 7	Chattering elimination for CNG detection	No. 6 7 0 0 : A (During CNG ON and OFF) 0 1 : B (During CNG OFF only) 1 X : C (No elimination)
8	CNG detection on/off	0: OFF 1: ON

* EP: Echo protection

I Selector 1: EP tone prefix

Setting this selector to "1" makes the equipment transmit a 1700 Hz echo protection (EP) tone immediately preceding training in V.29 modulation system to prevent omission of training signals.

Prefixing an EP tone is effective when the equipment fails to transmit at the V.29 modem speed and always has to fall back to 4800 bps transmission.

I Selectors 2 and 3: Overseas communications mode

These selectors should be used if the facsimile equipment malfunctions in overseas communications. According to the communications error state, select the signal specifications.

Setting selector 2 to "1" allows the equipment to use 1100 Hz CED signal instead of 2100 Hz in receiving operation. This prevents malfunctions resulting from echoes, since the 1100 Hz signal does not disable the echo suppressor (ES) while the 2100 Hz signal does.

Setting selector 3 to "1" allows the equipment to ignore a DIS signal sent from the called station once in sending operation. This operation suppresses echoes since the first DIS signal immediately follows a 2100 Hz CED (which disables the ES) so that it is likely to be affected by echoes in the disabled ES state. However, such a disabled ES state will be removed soon so that the second and the following DIS signals are not susceptible to data distortion due to echoes. Note that some models when called may cause error by receiving a self-outputted DIS.

I Selectors 8: CNG detection on/off

If this selector is set to "1," the equipment detects a CNG signal according to the condition preset by selectors 2 and 3 of WSW18 after a line is connected. If it is set to "0," the equipment detects a CNG signal as long as the line is connected.

WSW21 (TAD setting 1)

Selector No.	Function	Setting and Specifications
1 5	Max. waiting time for voice signal	No. 1 2 3 4 5 0 0 0 0 0 : No detection 0 0 0 0 1 : 1 sec. 0 0 0 1 0 : 2 sec. 0 0 0 1 1 : 3 sec. 0 1 0 0 0 : 8 sec. 1 1 1 1 1 : 31 sec.
6 7	Two-way recording	No. 6 7 0 0 : For U.S.A. (A) 0 1 : Except for U.S.A. (B) 1 0 : Without beep (C) 1 1 : OFF (D)
8	Erasure of message stored in the memory after the message transfer	0: Yes 1: No

NOTE: Selectors 1 through 8 are applicable to those models equipped with a built-in TAD.

I Selectors 1 through 5: Max. waiting time for voice signal

In the TAD mode, the equipment waits for voice signal for the time length specified by these selectors before it automatically shifts to the facsimile message receive mode or disconnects the line.

I Selectors 6 and 7: Two-way recording

These selectors select the specifications of the two-way recording feature.

I Selector 8: Erasure of message

Setting this selector to "0" will erase the message recorded in the memory after the document retrieval feature transfers the message.

WSW22 (ECM and caller ID setting)

Selector No.	Function	Setting and Specifications	
1	ECM* in sending	0: ON	1: OFF
2	ECM* in receiving	0: ON	1: OFF
3	Call Waiting Caller ID	0: ON	1: OFF
4	Not used.		
5 8	Acceptable TCF bit error rate (%) (Only at 4800 bps)	0: 0%	1: 8%
		0: 0%	1: 4%
		0: 0%	1: 2%
		0: 0%	1: 1%

* ECM: Error correction mode

NOTE: Selector 3 is applicable to the U.S.A. versions only.

NOTE: Selectors 5 through 8 are applicable to the Chinese, Taiwanese and Asian versions only.

I Selector 3: Call Waiting Caller ID

Setting this selector to "0" allows the user to decide whether or not to interrupt the current call when a new call comes in. If Call Waiting Caller ID service is available in the area and the user subscribes to it, he/she can see information about his/her incoming call.

I Selectors 5 through 8: Acceptable TCF bit error rate (%)

Setting two or more selectors to "1" produces addition of percent assigned to each selector. If you set selectors 7 and 8 to "1," the acceptable TCF bit error rate will be 3%.

WSW23 (Communications setting)

Selector No.	Function	Setting and Specifications
1	Starting point of training check (TCF)	0: From the head of a series of zeros 1: From any arbitrary point
2 3	Allowable training error rate	No. 2 3 0 0 : 0% 0 1 : 0.5% 1 0 : 1% 1 1 : 2%
4 5		No. 4 5 0 0 : 16% 0 1 : 14% 1 0 : 10% 1 1 : 8%
6	Issue of RTN at the occurrence of a pagination error	0: YES 1: NO
7	Not used.	
8	Limitation of attenuation level	0: YES 1: NO

NOTE: Selector 8 is not applicable to the French and Chinese versions.

I Selector 1: Starting point of training check (TCF)

At the training phase of receiving operation, the called station detects for 1.0 second a training check (TCF) command, a series of zeros which is sent from the calling station for 1.5 seconds to verify training and give the first indication of the acceptability of the line.

This selector sets the starting point from which the called station should start counting those zeros. If this selector is set to "0," the called station starts counting zeros 100 ms after the head of a series of zeros is detected.

If it is set to "1," the called station starts counting zeros upon detection of 10-ms successive zeros 50 ms after the head of a series of zeros is detected. In this case, if the detection of 10-ms successive zeros is too late, the data counting period will become less than 1.0 second, making the called station judge the line condition unacceptable.

I Selectors 2 and 3: Allowable training error rate

The called station checks a series of zeros gathered in training (as described in Selector 1) according to the allowable training error rate set by these selectors. If the called station judges the line condition to be accepted, it responds with CFR; if not, it responds with FTT.

I Selectors 4 and 5: Decoding error rate for transmission of RTN

The facsimile equipment checks the actual decoding errors and then transmits an RTN according to the decoding error rate (Number of lines containing an error per page ÷ Total number of lines per page) set by these selectors.

I Selector 6: Issue of RTN at the occurrence of a pagination error

If this selector is set to "0," the facsimile equipment transmits an RTN when a pagination error occurs due to recording lag relative to receiving.

I Selector 8: Limitation of attenuation level

Setting this selector to "0" limits the transmitting level of the modem to 10 dB.

This setting has priority over the settings selected by WSW02 (selectors 5 through 8) and WSW13 (selectors 5 through 8).

WSW24 (TAD setting 2)

Selector No.	Function	Setting and Specifications
1 2	Maximum OGM recording time	No. 1 2 0 0 : 15 sec. 0 1 : 20 sec. 1 0 : 30 sec. 1 1 : 50 sec.
3 4	Time length from CML ON to start of pseudo ring backtone transmission	No. 3 4 0 0 : 4 sec. 0 1 : 3 sec. 1 0 : 2 sec. 1 1 : 1 sec.
5 8	Attenuator for playback of ICM/OGM to the line (Selectable from the range of 0-15 dB)	0: 0 dB 1: 8 dB 0: 0 dB 1: 4 dB 0: 0 dB 1: 2 dB 0: 0 dB 1: 1 dB

NOTE: Selectors 1 and 2 are applicable to those models equipped with a built-in TAD.

I Selectors 1 and 2: Maximum OGM recording time

These selectors set the allowable maximum recording time for an OGM.

I Selectors 3 and 4: Time length from CML ON to start of pseudo ring backtone transmission

These selectors set the length of time from CML-ON up to the start of pseudo ring backtone transmission.

In those versions which have an OGM facility, the settings made by these selectors also apply to the length of time from CML-ON up to the start of OGM transmission.

I Selectors 5 through 8: Attenuator for playback of ICM/OGM to the line

Setting two or more selectors to "1" produces addition of attenuation assigned to each selector.

This setting will not be limited by selector 8 of WSW23.

WSW25 (TAD setting 3)

Selector No.	Function	Setting and Specifications																																																						
1 4	Not used.																																																							
5 7	Pause between paging number and PIN	<table> <tr> <td>No.</td> <td>5</td> <td>6</td> <td>7</td> <td></td> <td></td> </tr> <tr> <td></td> <td>0</td> <td>0</td> <td>0</td> <td>:</td> <td>2 sec.</td> </tr> <tr> <td></td> <td>0</td> <td>0</td> <td>1</td> <td>:</td> <td>4 sec.</td> </tr> <tr> <td></td> <td>0</td> <td>1</td> <td>0</td> <td>:</td> <td>6 sec.</td> </tr> <tr> <td></td> <td>0</td> <td>1</td> <td>1</td> <td>:</td> <td>8 sec.</td> </tr> <tr> <td></td> <td>1</td> <td>0</td> <td>0</td> <td>:</td> <td>10 sec.</td> </tr> <tr> <td></td> <td>1</td> <td>0</td> <td>1</td> <td>:</td> <td>12 sec.</td> </tr> <tr> <td></td> <td>1</td> <td>1</td> <td>0</td> <td>:</td> <td>14 sec.</td> </tr> <tr> <td></td> <td>1</td> <td>1</td> <td>1</td> <td>:</td> <td>16 sec.</td> </tr> </table>	No.	5	6	7				0	0	0	:	2 sec.		0	0	1	:	4 sec.		0	1	0	:	6 sec.		0	1	1	:	8 sec.		1	0	0	:	10 sec.		1	0	1	:	12 sec.		1	1	0	:	14 sec.		1	1	1	:	16 sec.
No.	5	6	7																																																					
	0	0	0	:	2 sec.																																																			
	0	0	1	:	4 sec.																																																			
	0	1	0	:	6 sec.																																																			
	0	1	1	:	8 sec.																																																			
	1	0	0	:	10 sec.																																																			
	1	0	1	:	12 sec.																																																			
	1	1	0	:	14 sec.																																																			
	1	1	1	:	16 sec.																																																			
8	Not used.																																																							

NOTE: Selectors 5 through 7 are applicable to the U.S.A. and Canadian versions.

I Selectors 5 through 7: Pause between paging number and PIN

These selectors set the pause time between a telephone number being paged and PIN (private identification number) for the paging feature.

WSW26 (Function setting 4)

Selector No.	Function	Setting and Specifications
1	Application of DC wetting pulse	0: OFF 1: ON
2	Overvoltage limiter at the applying time of a wetting pulse	0: ON 1: OFF
3	Not used.	
4	No. of CNG cycles to be detected (when the line is connected via the external telephone except in the external TAD mode or via the built-in telephone)	No. 4 5
5		0 0 : 0.5 (A)
		0 1 : 1 (B)
		1 0 : 1.5 (C)
		1 1 : 2 (D)
6	No. of CNG cycles to be detected (when the line is connected via the external telephone in the external TAD mode or via the facsimile equipment in F/T mode)	No. 6 7
7		0 0 : 0.5 (A)
		0 1 : 1 (B)
		1 0 : 1.5 (C)
		1 1 : 2 (D)
8	FAX reception after the time-out of pseudo ring backtones in F/T mode	0: YES 1: NO

NOTE: Selectors 6 and 7 are not applicable to those models equipped with a built-in TAD.

I Selectors 1 and 2: Application of DC wetting pulse and overvoltage limiter

These selectors take effect only when the UK version of the facsimile equipment is set up for the British Telecom's caller ID service or its equivalent.

Selector 2 takes effect only when selector 1 is set to "1."

I Selectors 4 and 5: No. of CNG cycles to be detected

The equipment interprets a CNG as an effective signal if it detects a CNG signal by the number of cycles specified by these selectors when the line is connected via the external telephone except in the external TAD mode or via the built-in telephone.

I Selectors 6 and 7: No. of CNG cycles to be detected

The equipment interprets a CNG as an effective signal if it detects a CNG signal by the number of cycles specified by these selectors when the line is connected via the external telephone in the external TAD mode or via the facsimile equipment in F/T mode.

I Selector 8: FAX reception after the time-out of pseudo ring backtones in F/T mode

If this selector is set to "0," the equipment starts receiving FAX messages when it receives a CNG signal within 10-second no-tone period provided after the time-out of pseudo ring backtones. If no CNG is received within the period, the equipment disconnects the line.

If this selector is set to "1," the equipment disconnects the line after issuing pseudo ring backtones.

WSW27 (Function setting 5)

Selector No.	Function	Setting and Specifications
1	Definition of programmable key	0: TEL key 1: TEL/POLLING key
2	Ringer OFF setting	0: Yes 1: No
3	Automatic playback of OGM at the start time of OGM ON mode	0: No 1: Yes
4	Detection of distinctive ringing pattern	0: Yes 1: No
5 7	Not used.	
8	Suppression of FAX data reception when the recording head is overheated	0: No 1: Yes

NOTE: Selector 1 is not applicable to the U.S.A. versions.

NOTE: Selector 3 is applicable to those models equipped with a built-in TAD.

I Selector 1: Definition of programmable key

This selector defines a programmable key as a TEL key or TEL/POLLING key.

Setting this selector to "1" allows the programmable key to function as either a TEL or POLLING key if pressed when the handset is off or on the hook, respectively.

This setting is effective only for those models having a programmable key.

I Selector 2: Ringer OFF setting

This selector determines whether or not the ringer can be set to OFF.

I Selector 3: Automatic playback of OGM at the start time of OGM ON mode

This selector determines whether or not the equipment automatically plays back an OGM the moment it switches to the OGM ON mode in the MC mode.

I Selector 4: Detection of distinctive ringing pattern

If this selector is set to "1," the equipment detects only the number of rings; if it is set to "0," the equipment detects the number of rings and the ringing time length to compare the detected ringing pattern with the registered distinctive one.

WSW28 (Function setting 6)

Selector No.	Function	Setting and Specifications
1 3	Transmission level of DTMF high-band frequency signal	No. 1 2 3 0 0 0 : 0 dB 0 0 1 : +1 dB 0 1 0 : +2 dB 0 1 1 : +3 dB 1 0 0 : 0 dB 1 0 1 : -1 dB 1 1 0 : -2 dB 1 1 1 : -3 dB
4 6	Transmission level of DTMF low-band frequency signal	No. 4 5 6 0 0 0 : 0 dB 0 0 1 : +1 dB 0 1 0 : +2 dB 0 1 1 : +3 dB 1 0 0 : 0 dB 1 0 1 : -1 dB 1 1 0 : -2 dB 1 1 1 : -3 dB
7 8	Not used.	

I Selectors 1 through 6: Transmission level of DTMF high-/low-band frequency signal

These selectors are intended for the manufacturer who tests the equipment for the Standard. Never access them.

WSW29 (Function setting 7)

Selector No.	Function	Setting and Specifications
1 3	Compression threshold level for voice signals inputted via the telephone line in the built-in TAD operation	No. 1 2 3 0 0 0 : -47.0 dBm (A) 0 0 1 : -48.5 dBm (B) 0 1 0 : -50.0 dBm (C) 0 1 1 : -51.5 dBm (D) 1 0 0 : -53.0 dBm (E) 1 0 1 : -54.5 dBm (F) 1 1 0 : -56.0 dBm (G) 1 1 1 : OFF (H)
4 6	Compression threshold level for voice signals inputted via the handset in the built-in TAD operation	No. 4 5 6 0 0 0 : -44.0 dBm (A) 0 0 1 : -45.5 dBm (B) 0 1 0 : -47.0 dBm (C) 0 1 1 : -48.5 dBm (D) 1 0 0 : -50.0 dBm (E) 1 0 1 : -51.5 dBm (F) 1 1 0 : -53.0 dBm (G) 1 1 1 : OFF (H)
7	Not used.	
8	Prompt beep for activity report	0: No 1: Yes

NOTE: Selectors 1 through 6 are applicable to those models equipped with a built-in TAD.

NOTE: Selector 8 is not applicable to the U.S.A. versions.

I Selectors 1 through 6: Compression threshold level for voice signals inputted via the telephone line in the built-in TAD operation

If voice signals inputted via the telephone line are below the level specified by these selectors, the TAD interprets those received voice signals as no signal, compressing the recording time.

I Selector 8: Prompt beep for activity report

This selector determines whether or not the equipment will beep if the activity report memory area becomes full with 30 records, for prompting you to print out the report. (Printing it out will clear the memory area.)

WSW30 (Function setting 8)

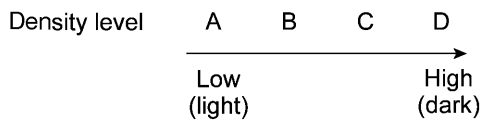
Selector No.	Function	Setting and Specifications																																																						
1 3	Detection level of dial tone or busy tone for the built-in TAD operation	<table> <tr> <td>No.</td> <td>1</td> <td>2</td> <td>3</td> <td></td> <td></td> </tr> <tr> <td></td> <td>0</td> <td>0</td> <td>0</td> <td>:</td> <td>-38.0 dBm (A)</td> </tr> <tr> <td></td> <td>0</td> <td>0</td> <td>1</td> <td>:</td> <td>-39.5 dBm (B)</td> </tr> <tr> <td></td> <td>0</td> <td>1</td> <td>0</td> <td>:</td> <td>-41.0 dBm (C)</td> </tr> <tr> <td></td> <td>0</td> <td>1</td> <td>1</td> <td>:</td> <td>-42.5 dBm (D)</td> </tr> <tr> <td></td> <td>1</td> <td>0</td> <td>0</td> <td>:</td> <td>-44.0 dBm (E)</td> </tr> <tr> <td></td> <td>1</td> <td>0</td> <td>1</td> <td>:</td> <td>-45.5 dBm (F)</td> </tr> <tr> <td></td> <td>1</td> <td>1</td> <td>0</td> <td>:</td> <td>-47.0 dBm (G)</td> </tr> <tr> <td></td> <td>1</td> <td>1</td> <td>1</td> <td>:</td> <td>-48.5 dBm (H)</td> </tr> </table>	No.	1	2	3				0	0	0	:	-38.0 dBm (A)		0	0	1	:	-39.5 dBm (B)		0	1	0	:	-41.0 dBm (C)		0	1	1	:	-42.5 dBm (D)		1	0	0	:	-44.0 dBm (E)		1	0	1	:	-45.5 dBm (F)		1	1	0	:	-47.0 dBm (G)		1	1	1	:	-48.5 dBm (H)
No.	1	2	3																																																					
	0	0	0	:	-38.0 dBm (A)																																																			
	0	0	1	:	-39.5 dBm (B)																																																			
	0	1	0	:	-41.0 dBm (C)																																																			
	0	1	1	:	-42.5 dBm (D)																																																			
	1	0	0	:	-44.0 dBm (E)																																																			
	1	0	1	:	-45.5 dBm (F)																																																			
	1	1	0	:	-47.0 dBm (G)																																																			
	1	1	1	:	-48.5 dBm (H)																																																			
4 6	Not used.																																																							
7 8	Recording density control	<table> <tr> <td>No.</td> <td>7</td> <td>8</td> <td></td> </tr> <tr> <td></td> <td>0</td> <td>0</td> <td>: A</td> </tr> <tr> <td></td> <td>0</td> <td>1</td> <td>: B</td> </tr> <tr> <td></td> <td>1</td> <td>0</td> <td>: C</td> </tr> <tr> <td></td> <td>1</td> <td>1</td> <td>: D</td> </tr> </table>	No.	7	8			0	0	: A		0	1	: B		1	0	: C		1	1	: D																																		
No.	7	8																																																						
	0	0	: A																																																					
	0	1	: B																																																					
	1	0	: C																																																					
	1	1	: D																																																					

NOTE: Selectors 1 through 3 are applicable to those models equipped with a built-in TAD.

I Selectors 1 through 3: Detection level of dial tone or busy tone for built-in TAD operation

If dial tone or busy tone inputted during ICM recording is below the level specified by these selectors, the TAD stops recording and disconnects the line.

I Selectors 7 and 8 Recording density control



WSW31 (Function setting 9)

Selector No.	Function	Setting and Specifications
1	Not used.	
2	Default reduction rate for failure of automatic reduction during recording	0: 100% 1: 50%
3 4	Not used.	
5	Minimum short-OFF duration in distinctive ringing	0: 130 ms 1: 90 ms
6 8	Not used.	

NOTE: Selector 5 is applicable in those areas where the distinctive ringing is supported.

I Selector 2: Default reduction rate for failure of automatic reduction during recording

This selector sets the default reduction rate to be applied if the automatic reduction function fails to record one-page data sent from the calling station in a single page of the current recording paper.

If it is set to "0," the equipment records one-page data at full size (100%) without reduction; if it is set to "1," the equipment records it at half size (50%).

I Selector 5 Minimum short-OFF duration in distinctive ringing

The ringer pattern consists of short and long rings, e.g., short-short-long rings. This selector sets the minimum OFF duration following a short ring in order to avoid missing ringer tones in distinctive ringing.

If this selector is set to "1," when the short-OFF duration is a minimum of 90 ms long, then the equipment will interpret the short-OFF as OFF.

WSW32 (Function setting 10)

Selector No.	Function	Setting and Specifications
1 4	Not used.	
5 6	Default resolution	No. 5 6 0 0 : Standard 0 1 : Fine 1 0 : Super fine 1 1 : Photo
7 8	Default contrast	No. 7 8 0 X : Automatic 1 0 : Super light 1 1 : Super dark

I Selectors 5 and 6 Default resolution

These selectors set the default resolution which applies when the equipment is powered up or completes a transaction.

I Selectors 7 and 8 Default contrast

These selectors set the default contrast which applies when the equipment is powered up or completes a transaction.

WSW33 (Function setting 11)

Selector No.	Function	Setting and Specifications
1 3	Detection threshold level for voice signals inputted via the telephone line in the built-in TAD operation	No. 1 2 3 0 0 0 : -42.5 dBm (A) 0 0 1 : -44.0 dBm (B) 0 1 0 : -45.5 dBm (C) 0 1 1 : -47.0 dBm (D) 1 0 0 : -48.5 dBm (E) 1 0 1 : -50.0 dBm (F) 1 1 0 : -51.5 dBm (G) 1 1 1 : -53.0 dBm (H)
4 5	FAX receiving speed to be kept within the transmission speed limit to the PC	No. 4 5 0 0 : 14,400 bps 0 1 : 12,000 bps 1 0 : 9,600 bps 1 1 : 7,200 bps
6	Report output of polled transmission requests	0: Yes 1: No
7 8	Comfortable noise level	No. 7 8 0 0 : OFF 0 1 : Low (A) 1 0 : Medium (B) 1 1 : High (C)

NOTE: Selectors 1 through 3 and 6 through 8 are applicable to those models equipped with a built-in TAD.

NOTE: Selector 6 is not applicable to the U.S.A. versions.

NOTE: Selectors 4 and 5 are applicable to those models equipped with a PC interface.

I Selectors 1 through 3: Detection threshold level for voice signals inputted via the telephone line in the built-in TAD operation

If the equipment detects voice signals exceeding the threshold level set by these selectors, it will interpret them as effective voice.

I Selectors 4 and 5: FAX receiving speed to be kept within the transmission speed limit to the PC

To transmit FAX data being received from other facsimile equipment to the connected PC, you may need to keep the FAX receiving speed within the transmission speed limit to the PC. In an initial negotiation sequence for transmission, the equipment responds to the calling station with the allowable FAX receiving speed specified by these selectors.

I Selectors 7 and 8: Comfortable noise level

These selectors set the level of noise to be added during playing-back of voice signals recorded with no-signal compression.

If they are set to "0, 0," no noise will be added.

WSW34 (Function setting 12)

Selector No.	Function	Setting and Specifications																																													
1 3	Erasing time length of ICM tone recorded preceding the tone detection starting point in the case of automatic line disconnection due to no voice signal received	<table style="width: 100%; border-collapse: collapse;"> <tr> <td style="text-align: right;">No. 1</td> <td style="text-align: center;">2</td> <td style="text-align: center;">3</td> <td style="width: 20px;"></td> <td></td> </tr> <tr> <td style="text-align: right;">0</td> <td style="text-align: center;">0</td> <td style="text-align: center;">0</td> <td style="text-align: center;">:</td> <td>0 sec.</td> </tr> <tr> <td style="text-align: right;">0</td> <td style="text-align: center;">0</td> <td style="text-align: center;">1</td> <td style="text-align: center;">:</td> <td>1 sec.</td> </tr> <tr> <td style="text-align: right;">0</td> <td style="text-align: center;">1</td> <td style="text-align: center;">0</td> <td style="text-align: center;">:</td> <td>2 sec.</td> </tr> <tr> <td style="text-align: right;">0</td> <td style="text-align: center;">1</td> <td style="text-align: center;">1</td> <td style="text-align: center;">:</td> <td>3 sec.</td> </tr> <tr> <td style="text-align: right;">1</td> <td style="text-align: center;">0</td> <td style="text-align: center;">0</td> <td style="text-align: center;">:</td> <td>4 sec.</td> </tr> <tr> <td style="text-align: right;">1</td> <td style="text-align: center;">0</td> <td style="text-align: center;">1</td> <td style="text-align: center;">:</td> <td>5 sec.</td> </tr> <tr> <td style="text-align: right;">1</td> <td style="text-align: center;">1</td> <td style="text-align: center;">0</td> <td style="text-align: center;">:</td> <td>6 sec.</td> </tr> <tr> <td style="text-align: right;">1</td> <td style="text-align: center;">1</td> <td style="text-align: center;">1</td> <td style="text-align: center;">:</td> <td>7 sec.</td> </tr> </table>	No. 1	2	3			0	0	0	:	0 sec.	0	0	1	:	1 sec.	0	1	0	:	2 sec.	0	1	1	:	3 sec.	1	0	0	:	4 sec.	1	0	1	:	5 sec.	1	1	0	:	6 sec.	1	1	1	:	7 sec.
No. 1	2	3																																													
0	0	0	:	0 sec.																																											
0	0	1	:	1 sec.																																											
0	1	0	:	2 sec.																																											
0	1	1	:	3 sec.																																											
1	0	0	:	4 sec.																																											
1	0	1	:	5 sec.																																											
1	1	0	:	6 sec.																																											
1	1	1	:	7 sec.																																											
4 5	No. of CNG cycles to be detected (when the line is connected via the external telephone in the external TAD mode or via the facsimile equipment in F/T or TAD mode)	<table style="width: 100%; border-collapse: collapse;"> <tr> <td style="text-align: right;">No. 4</td> <td style="text-align: center;">5</td> <td style="width: 20px;"></td> <td></td> </tr> <tr> <td style="text-align: right;">0</td> <td style="text-align: center;">0</td> <td style="text-align: center;">:</td> <td>0.5 (A)</td> </tr> <tr> <td style="text-align: right;">0</td> <td style="text-align: center;">1</td> <td style="text-align: center;">:</td> <td>1 (B)</td> </tr> <tr> <td style="text-align: right;">1</td> <td style="text-align: center;">0</td> <td style="text-align: center;">:</td> <td>1.5 (C)</td> </tr> <tr> <td style="text-align: right;">1</td> <td style="text-align: center;">1</td> <td style="text-align: center;">:</td> <td>2 (D)</td> </tr> </table>	No. 4	5			0	0	:	0.5 (A)	0	1	:	1 (B)	1	0	:	1.5 (C)	1	1	:	2 (D)																									
No. 4	5																																														
0	0	:	0.5 (A)																																												
0	1	:	1 (B)																																												
1	0	:	1.5 (C)																																												
1	1	:	2 (D)																																												
6 7	Number of DTMF tone signals for inhibiting the detection of CNG during external TAD operation	<table style="width: 100%; border-collapse: collapse;"> <tr> <td style="text-align: right;">No. 6</td> <td style="text-align: center;">7</td> <td style="width: 20px;"></td> <td></td> </tr> <tr> <td style="text-align: right;">0</td> <td style="text-align: center;">0</td> <td style="text-align: center;">:</td> <td>3</td> </tr> <tr> <td style="text-align: right;">0</td> <td style="text-align: center;">1</td> <td style="text-align: center;">:</td> <td>2</td> </tr> <tr> <td style="text-align: right;">1</td> <td style="text-align: center;">0</td> <td style="text-align: center;">:</td> <td>1</td> </tr> <tr> <td style="text-align: right;">1</td> <td style="text-align: center;">1</td> <td style="text-align: center;">:</td> <td>OFF</td> </tr> </table>	No. 6	7			0	0	:	3	0	1	:	2	1	0	:	1	1	1	:	OFF																									
No. 6	7																																														
0	0	:	3																																												
0	1	:	2																																												
1	0	:	1																																												
1	1	:	OFF																																												
8	Not used.																																														

NOTE: Selectors 1 through 5 are applicable to those models equipped with a built-in TAD.

I Selectors 1 through 3: Erasing time length of ICM tone recorded preceding the tone detection starting point in the case of automatic line disconnection due to no voice signal received

If the equipment has disconnected the line after detection of disconnection tone in ICM recording, it erases tone recorded preceding the tone detection starting point for the time length set by these selectors.

I Selectors 4 and 5: No. of CNG cycles to be detected

The equipment interprets a CNG as an effective signal if it detects a CNG signal by the number of cycles specified by these selectors in any of the following cases:

- when the line is connected via the external telephone in the external TAD mode.
- when the line is connected via the facsimile equipment in F/T or TAD mode.

I Selectors 6 and 7: Number of DTMF tone signals for inhibiting the detection of CNG during external TAD operation

If the equipment receives this specified number of DTMF tone signals during external TAD operation, it will not detect CNG afterwards.

If these selectors are set to "1, 1," the CNG detection will not be inhibited.

WSW35 (Function setting 13)

Selector No.	Function	Setting and Specifications																																										
1 4	Detection time length of the disconnection tone in ICM recording	<table border="0"> <tr> <td>No. 1</td> <td>2</td> <td>3</td> <td>4</td> <td></td> <td></td> </tr> <tr> <td>0</td> <td>0</td> <td>0</td> <td>0</td> <td>:</td> <td>No detection</td> </tr> <tr> <td>0</td> <td>0</td> <td>0</td> <td>1</td> <td>:</td> <td>1 sec.</td> </tr> <tr> <td>0</td> <td>0</td> <td>1</td> <td>0</td> <td>:</td> <td>2 sec.</td> </tr> <tr> <td>0</td> <td>1</td> <td>0</td> <td>0</td> <td>:</td> <td>4 sec.</td> </tr> <tr> <td></td> <td></td> <td> </td> <td></td> <td></td> <td> </td> </tr> <tr> <td>1</td> <td>1</td> <td>1</td> <td>1</td> <td>:</td> <td>15 sec.</td> </tr> </table>	No. 1	2	3	4			0	0	0	0	:	No detection	0	0	0	1	:	1 sec.	0	0	1	0	:	2 sec.	0	1	0	0	:	4 sec.							1	1	1	1	:	15 sec.
No. 1	2	3	4																																									
0	0	0	0	:	No detection																																							
0	0	0	1	:	1 sec.																																							
0	0	1	0	:	2 sec.																																							
0	1	0	0	:	4 sec.																																							
1	1	1	1	:	15 sec.																																							
5 8	Not used.																																											

NOTE: Selectors 1 through 4 are applicable to those models equipped with a built-in TAD.

I Selectors 1 through 4: Detection time length of the disconnection tone in ICM recording

If the equipment detects disconnection tone for the time length set by these selectors, it will disconnect the line.

WSW36 (Function setting 14)

Selector No.	Function	Setting and Specifications																																													
1 5	Not used.																																														
6 8	Lower limit of frequency to be ignored after detection of calling signals (Ci)	<table border="0"> <tr> <td>No. 6</td> <td>7</td> <td>8</td> <td></td> <td></td> </tr> <tr> <td>0</td> <td>0</td> <td>0</td> <td>:</td> <td>0 (Not ignored)</td> </tr> <tr> <td>0</td> <td>0</td> <td>1</td> <td>:</td> <td>4 (448 Hz)</td> </tr> <tr> <td>0</td> <td>1</td> <td>0</td> <td>:</td> <td>8 (244 Hz)</td> </tr> <tr> <td>0</td> <td>1</td> <td>1</td> <td>:</td> <td>12 (162 Hz)</td> </tr> <tr> <td>1</td> <td>0</td> <td>0</td> <td>:</td> <td>16 (122 Hz)</td> </tr> <tr> <td>1</td> <td>0</td> <td>1</td> <td>:</td> <td>20 (97 Hz)</td> </tr> <tr> <td>1</td> <td>1</td> <td>0</td> <td>:</td> <td>24 (81 Hz)</td> </tr> <tr> <td>1</td> <td>1</td> <td>1</td> <td>:</td> <td>28 (69 Hz)</td> </tr> </table>	No. 6	7	8			0	0	0	:	0 (Not ignored)	0	0	1	:	4 (448 Hz)	0	1	0	:	8 (244 Hz)	0	1	1	:	12 (162 Hz)	1	0	0	:	16 (122 Hz)	1	0	1	:	20 (97 Hz)	1	1	0	:	24 (81 Hz)	1	1	1	:	28 (69 Hz)
No. 6	7	8																																													
0	0	0	:	0 (Not ignored)																																											
0	0	1	:	4 (448 Hz)																																											
0	1	0	:	8 (244 Hz)																																											
0	1	1	:	12 (162 Hz)																																											
1	0	0	:	16 (122 Hz)																																											
1	0	1	:	20 (97 Hz)																																											
1	1	0	:	24 (81 Hz)																																											
1	1	1	:	28 (69 Hz)																																											

I Selectors 6 through 8: Lower limit of frequency to be ignored after detection of calling signals (Ci)

At the start of reception, if the equipment detects the frequency of calling signals (Ci) specified by selectors 1 through 4 of WSW14, it will start the ringer sounding. When doing so, the equipment may fail to detect the calling signals normally due to noises superimposed at the time of reception. To prevent it, use selectors 6 through 8 of WSW36.

If the equipment detects higher frequencies than the lower limit specified by these selectors, it will regard them as noise and interpret that detecting state as being normal, allowing the ringer to keep sounding (until the equipment starts automatic reception of FAX data if in the FAX mode or enters the TAD mode if set in the TEL mode, according to the preset number of ringers).

WSW37 (Function setting 15)

Selector No.	Function	Setting and Specifications
1 8	Not used.	

[B] Printout of firmware switch data

n Function

The equipment prints out the setting items and contents specified by the firmware switches.

n Operating Procedure

- (1) Press the 1 key twice in the initial stage of the maintenance mode.
The "PRINTING" will appear on the LCD.
- (2) The equipment prints out the configuration list as shown in the figure below.
- (3) Upon completion of printing, the equipment returns to the initial stage of the maintenance mode.

CONFIGURATION LIST

MODEL: 8X4-501
 TIME : 01/06/2001 00:09
 REV. : LG0099001 VER.A
 SUM : 7050

<pre> WSW01 = 0000010 1-2. DIAL FORMAT : NORMAL 3-4. BREAK TIME : 60 MS 5-6. INTERDIGIT PAUSE : 800 MS 7. DP/PB CHANGE IN USER SW : NO 8. DP/PB FIXING SELECTION : PB WSW02 = 1111010 1-2. ON TIME : 100 MS 3-4. OFF TIME : 140 MS 5-8. LINE BEEP ATTENUATOR : 10 DB WSW03 = 1000000 1. PARA. CNG DETECTION1 : B 2-4. NOT USED 5. PARA. CNG DETECTION2 : A 6-8. NOT USED WSW04 = 0001011 1-4. NOT USED 5-6. EARTHING TIME : 300 MS 7-8. FLASHING TIME : 500 MS WSW05 = 0000110 1-3. DIAL TONE DETECTION : 3.5 SEC WAITING 4. REMOTE ID DETECTION TIMEOUT : 2 SEC 5-6. BUSY TONE DETECTION (CALLING) : AFTER DIALING 7. BUSY TONE DETECTION (CALLED) : OFF 8. NOT USED WSW06 = 00101100 1-3. PAUSE KEY : 3.5 SEC WAITING 4-8. NOT USED WSW07 = 01001100 1-8. NOT USED WSW08 = 01100100 1-8. NOT USED WSW09 = 00000000 1. ECM FRAME : 256 OCTET 2. NON STANDARD FACILITIES : ON 3-4. TIMES OF FALL BACK : 4 5. T5 TIMER : 300 SEC 6. T1 TIMER : 35 SEC 7-8. CALLING TIMEOUT : 55 SEC WSW10 = 0001011 1. DPS LINK WITH CML : NO 2. TIMING OF LAST DIGIT-MODEM CHANGE : 100 MS 3. TIMING OF CML ON CNG TRANSMISSION : 2 SEC 4. TIMING OF CML ON CED TRANSMISSION : 2 SEC 5-6. TRAINING RETRIES : 2 7-8. NOT USED WSW11 = 01011000 1-2. FREQUENCY RANGE : INITIAL DATA 3. NOT USED 4-8. ON/OFF TIME : 400 - 600 MS / 400 - 600 MS 175 - 440 MS / 175 - 440 MS WSW12 = 10011011 1-2. OFF DETECTION TIME : 700 MS 3-4. AUTO ANS OFF DETECTION TIME : 7 SEC 5-6. ON DETECTION TIME : 250 MS 7. DELAY : OFF 8. NOT USED 4-5. RTN CRITERION : 14% 6. RTN ON UNSYNC. RECEIVE : NO 7. NOT USED 8. ATTENUATOR LIMIT : ON WSW2: 01001011 1-: NOT USED 3-4. DELAY OF CML ON-OGM : 4 SEC 5-8. NOT USED WSW35 = 00000000 1-5. NOT USED 6-8. IGNORE CI COUNT : 0 WSW37 = 10000101 1-8. NOT USED </pre>	<p>0:10 ER.A</p> <p>3:10 ER.A</p>
---	---

Configuration List

3.6 Operational Check of LCD

n Function

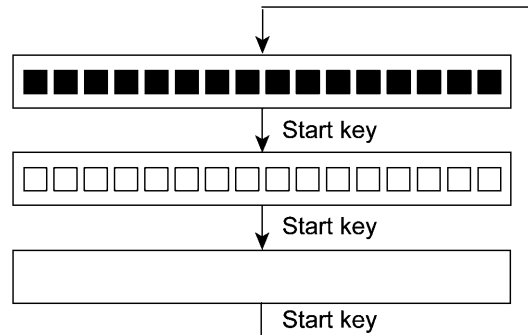
This function allows you to check whether the LCD on the control panel works normally.

n Operating Procedure

- (1) Press the **1** and **2** keys in this order in the initial stage of the maintenance mode.

The LCD shows

- (2) Press the **Start** key. Each time you press the **Start** key, the LCD cycles through the displays shown at right.



- (3) Press the **Stop** key in any process of the above display cycle. The equipment beeps for one second and returns to the initial stage of the maintenance mode.

3.7 Operational Check of Control Panel PCB

n Function

This function allows you to check the control panel PCB for normal operation.

n Operating Procedure

- (1) Press the **1** and **3** keys in this order in the initial stage of the maintenance mode.

The "00 " will appear on the LCD.

- (2) Press the keys and buttons in the order designated in the illustration shown on the next page.

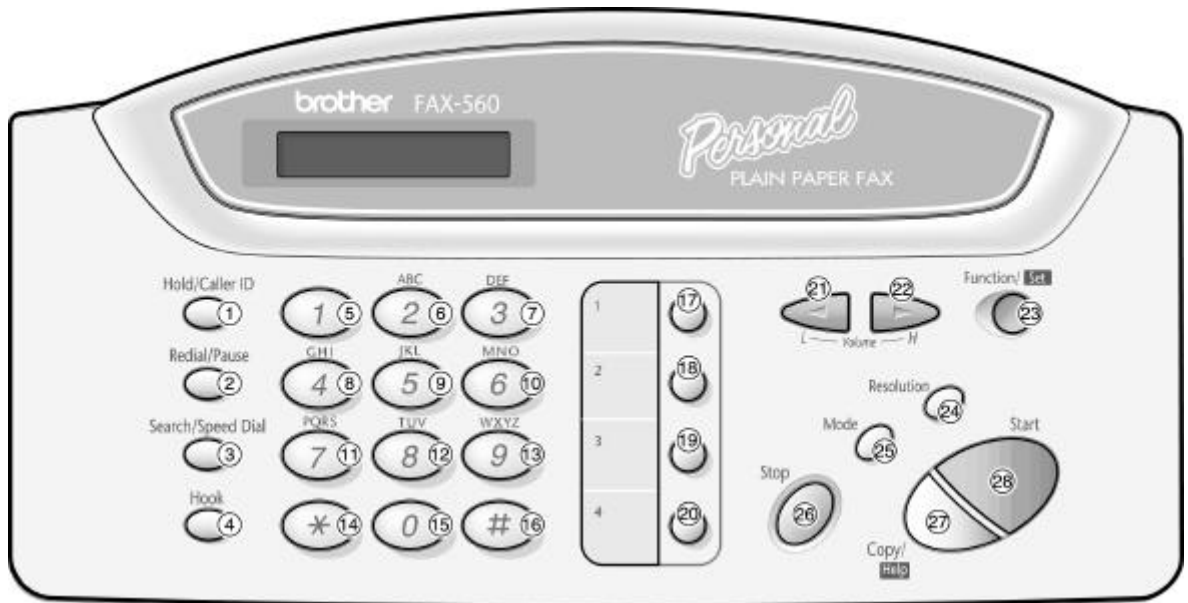
The LCD shows the corresponding number in decimal notation each time a key or button is pressed. Check that the displayed number is correct by referring to the illustration below.

If a key or button is pressed out of order, the equipment beeps and displays the "INVALID OPERATE" on the LCD. To return to the status ready to accept key & button entry for operational check, press the **Stop** key.

- (3) After the last number key or button is pressed, the equipment beeps and returns to the initial stage of the maintenance mode.

To terminate this operation, press the **Stop** key. The equipment returns to the initial stage of the maintenance mode.

Models not equipped with a built-in TAD



Models equipped with a built-in TAD



Key & Button Entry Order

3.8 Sensor Operational Check

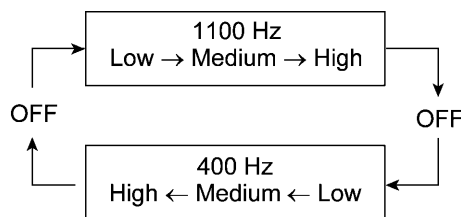
n Function

This function allows you to check that the seven sensors (document front sensor, document rear sensor, cover sensor, hook switch*, registration sensor, ribbon sensor, and arm HP switch) operate correctly.

(*In the models not equipped with handset, the hook switch serves no function.)

n Operating Procedure

- (1) Press the **3** and **2** keys in this order in the initial stage of the maintenance mode. The equipment sounds 1100 Hz and 400 Hz tones cyclically through the following volumes for testing the speaker.



To disable the speaker, press the **Function** key (American models) or **Menu** key (European models). With the key, you may toggle the speaker on and off.

If the sensing status are as listed below, the LCD will show the following:

"FRERCPHRXCH_0" on the models not equipped with handset

"FRERCPHRXCHHK_0" on other models

In this area a numeral appears, indicating the number of communications records printed out at the factory for testing.

Given below is the relationship between the LCD indication, sensor name and sensor status.

LCD	Sensors	Sensing status
FRE	Document front and rear sensors	No document detected.
RC	Cover sensor	Control panel ASSY closed.
PH	Registration sensor	Recording paper loaded
RX	Ribbon sensor	Ribbon cartridge loaded.
HK	Hook switch	On-hook state.
CH	Arm HP switch (on the drive unit)	Switching arm out of the home position.

- (2) Change the detecting conditions and check that the displayed letters disappear. For example, insert a document through the document front (or rear) sensor and check that the "F" (or "E") of the FRE disappears.
- (3) To stop this operation, press the **Stop** key. The equipment beeps for one second and returns to the initial stage of the maintenance mode.

3.9 Fine Adjustment of Scanning Start/End Position

n Function

This function allows you to adjust the scanning start/end position.

n Operating Procedure

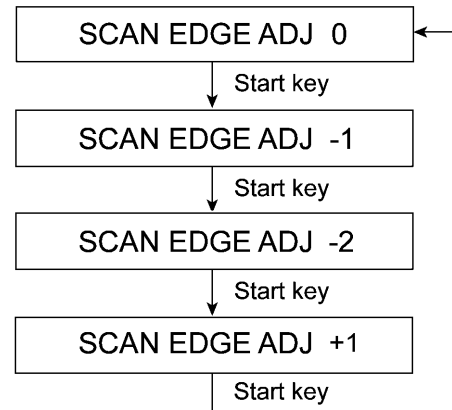
- (1) Press the **5** and **4** keys in this order in the initial stage of the maintenance mode.

The LCD shows the current scanning position correction value as shown at right.

- (2) Press the **Start** key. Each time you press the **Start** key, the LCD cycles through the displays shown at right.

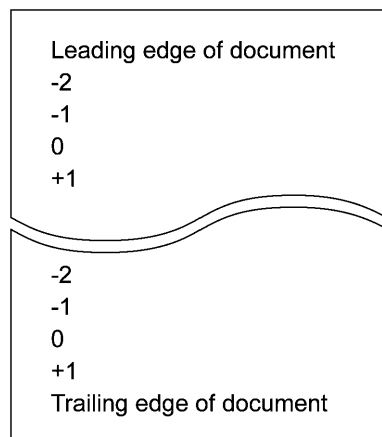
That is, pressing this key cycles through the correction values (mm) as shown below.

0 → -1 → -2 → +1



- (3) To stop this operation, press the **Stop** key. The equipment beeps for one second and returns to the initial stage of the maintenance mode.

NOTE: The relationship between the scanning start/end positions and their correction values is shown below.



3.10 CIS Scanner Area Setting

n **Function**

The equipment sets the CIS scanner area and stores it into the EEPROM.

n **Operating Procedure**

- (1) Press the **5** key twice in the initial stage of the maintenance mode.
The "SCANNER AREA SET" and "WHITE LEVEL INIT" will appear on the LCD in this order.
The equipment checks and sets the area to be scanned.
If no error is noted, the equipment returns to the initial stage of the maintenance mode.
If any error is noted, the "SCANNER ERROR" will appear on the LCD. To return the equipment to the initial stage of the maintenance mode, press the **Stop** key.

3.11 EEPROM Customizing

n **Function**

This function allows you to customize the EEPROM according to language, function settings, and firmware switch settings. The customizing codes list is given in Appendix 1.

NOTE: If you replace the main PCB, be sure to carry out this procedure.

n **Operating Procedure**

- (1) Press the **7** and **4** keys in this order in the initial stage of the maintenance mode.
The current customizing code (e.g., 9001 in the case of FAX560 U.S.A. versions) appears.
- (2) Enter the desired customizing code (e.g., 0002 in the case of FAX580MC Canadian versions).
The newly entered code appears.
NOTE: *If a wrong 4-digit code is entered, the equipment will malfunction.*
- (3) Press the **Start** key.
The equipment saves the setting and returns to the initial stage of the maintenance mode.
If you press the **Stop** key or no keys are pressed for one minute in the above procedure, the equipment stops the procedure and returns to the initial stage of the maintenance mode.

3.12 Equipment Error Code Indication

n **Function**

This function displays an error code of the last error on the LCD.

n **Operating Procedure**

- (1) Press the **8** and **2** keys in this order in the initial stage of the maintenance mode.
The LCD shows the "MACHINE ERROR _ _" (for 2-digit error code indication) or "MACHINE ERR _ _ _ _" (for 4-digit error code indication).
- (2) To stop this operation and return the equipment to the initial stage of the maintenance mode, press the **Stop** key.

3.13 Output of Transmission Log to the Telephone Line

n **Function**

This function outputs the transmission log (that the equipment has stored about the latest transmission) to the telephone line. It allows the service personnel to receive the transmission log of the user's equipment at a remote location and use it for analyzing problems arising in the user's equipment.

n **Operating Procedure**

- (1) If the user's equipment has a transmission-related problem, call the user's equipment at a remote location from your equipment.
- (2) If the line is connected, have the user perform the following:
 - 1) American models: Press the **Function**, **Mode**, and **0** keys in this order.
European models: Press the **Menu**, **Mode**, and **0** keys in this order.
NOTE: The **Mode** key is disabled during standby for redialing or timer. You need to cancel those job to start the above procedure.
 - 2) Press the **8** and **7** keys.
The above operation makes the user's equipment send CNG to your equipment for sending the transmission log.
- (3) If you hear the CNG sent from the user's equipment, press the **Start** key of your equipment.
Your equipment will start to receive the transmission log from the user's equipment.

3.14 Document Draw Adjustment

After replacement of the main PCB or CIS, or if data stored in the EEPROM is damaged, you need to carry out this procedure by using the TC-027 chart.

n Function

This function adjusts how much the document is drawn in, starting at the point when the document rear sensor is turned on until the leading edge of the document reaches the scanning start position.

n Operating Procedure

(1) In the initial stage of the maintenance mode, set the TC-027 chart on the document stacker.
The message "DOC. READY" appears on the LCD.

(2) For American models: Press the **Function** key.

For European models: Press the **Menu** key.

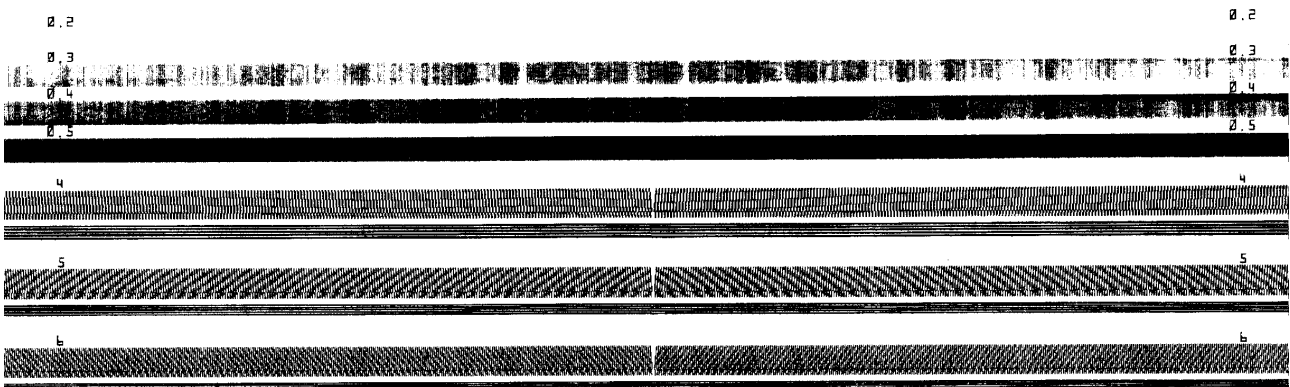
The equipment beeps and draws in the TC-027 chart to the scanning start position. While drawing it in, the equipment counts patterns on the chart to determine the amount of draw.

Upon completion of normal counting, the equipment shows the message "COPY P.01 SUP" on the LCD and begins copying the TC-027 chart. The message "REAR SENSOR IS ADJUSTED." and the copied image will be printed out on recording paper as shown below.

If any error occurs during counting, the message "MACHINE ERROR AB" appears on the LCD, with no copying of the TC-027 chart onto the recording paper. However, only the message "REAR SENSOR IS ADJUSTED." will be printed out.

TC - 027

1997.1.14



REAR SENSOR IS ADJUSTED.

Printout after Normal Completion of Document Draw Adjustment

CHAPTER VI.
ERROR INDICATION AND
TROUBLESHOOTING

CHAPTER VI. ERROR INDICATION AND TROUBLESHOOTING

CONTENTS

1. ERROR INDICATION	VI-1
1.1 Equipment Errors.....	VI-1
[1] Error messages on the LCD	VI-1
[2] Error codes shown in the "MACHINE ERROR __" message	VI-3
1.2 Communications Errors.....	VI-5
2. TROUBLESHOOTING.....	VI-12
2.1 Introduction.....	VI-12
2.2 Precautions.....	VI-12
2.3 Checking prior to Troubleshooting.....	VI-12
2.4 Troubleshooting Procedures	VI-13
[1] Control panel related.....	VI-13
[2] Telephone related	VI-13
[3] Communications related.....	VI-14
[4] Paper/document feeding related.....	VI-14
[5] Print-image related.....	VI-15
[6] Others.....	VI-16

1. ERROR INDICATION

To help the user or the service personnel promptly locate the cause of a problem (if any), the facsimile equipment incorporates the self-diagnostic functions which display error messages for equipment errors and communications errors.

For the communications errors, the equipment also prints out the transmission verification report and the communications list.

1.1 Equipment Errors

If an equipment error occurs, the facsimile equipment emits an audible alarm (continuous beeping) for approximately 4 seconds and shows the error message on the LCD. For the error messages, see [1] below. As one of the error messages, "MACHINE ERROR _ _" includes an error code which indicates the detailed error causes listed in [2].

To display an error code for the other latest error message or detailed message, make the equipment enter the maintenance mode and press **8** and **2** keys (for details, refer to Chapter V, Section 3.12).

[1] Error messages on the LCD

Messages on the LCD	Probable Cause
CHECK PAPER (NOTE 1)	The registration sensor detects that no recording paper is present.
TOP COVER OPEN	The cover sensor detects that the control panel ASSY is not closed.
DOCUMENT JAM	<p>n Document jam</p> <p>(1) The document length exceeds the limitation (400 or 90 cm) registered by firmware switch WSW16. (Refer to Chapter V, Section 3.5.) (Both the document front and rear sensors stay ON even after the document has been fed by the registered length.)</p> <p>(2) The document rear sensor detects no trailing edge of a document after the document has been fed by 400 cm. (The document rear sensor stays ON even after the document has been fed when the document front and rear sensors were OFF and ON, respectively.)</p>

NOTE 1: If a recording paper feeding or ejecting error occurs *in the maintenance mode*, this "CHECK PAPER" message will not appear on the LCD but some 4-digit error code listed on page VI-4 will appear instead.

Messages on the LCD	Probable Cause
DOCUMENT JAM	<p>n Document loading error</p> <p>(1) The document rear sensor detects no leading edge of a document within 10 seconds from the start of document loading operation. (The document rear sensor stays OFF even after the document has been fed when the document front sensor was ON.)</p> <p>(2) The loaded document is too short. (Since the document is shorter than the distance between the document front and rear sensors, the document front sensor is turned OFF before the document rear sensor is turned ON.)</p>
CLEAN UP SCANNER	<p>In the scanning compensation data list printed by the maintenance-mode function code 05, less than fifty percent of the white level data is faulty. (This message may appear only in the maintenance mode.)</p>
SCANNER ERROR	<p>In the scanning compensation data list printed by the maintenance-mode function code 05, fifty percent or more of the white level data is faulty. (This message may appear only in the maintenance mode.)</p>
PRINTER FAULT	<p>The thermistor in the recording head caused a heat error.</p>
CHANGE CARTRIDGE	<p>The ribbon sensor detects that no ink ribbon is loaded.</p>
MACHINE ERROR __ or MACHINE ERR _ _ _ _	<p>"_ _" indicates an error code. Refer to Section [2] on the following pages.</p>
PC BUSY OR FAIL	<p>After connected with the host computer, the equipment has received no response from the computer. (A communications error has occurred.)</p>

If only an alarm beep is heard without any message on the LCD when the equipment is powered up, the ROM or RAM will be defective.

[2] Error codes shown in the "MACHINE ERROR _ _" message

Error Code (Hex.)	Error factor
(85	Ink ribbon empty.)
(87	Fails to complete the sequence of recording operation.)
8A	Wrong or weak contact of the recording head connectors.
(8B	Recording head overheat.)
(A1	Control panel ASSY opened.)
(A2	Document too long to scan.)
(A4	50% or more faulty of white level data.) *
(A5	Faulty operation of DMA0 during scanning.)
(A6	Faulty operation of DMA1 during scanning.)
(A7	One-line feeding time-out error.)
(A8	One-line scanning time-out error.)
(AB	Document feed-in amount measuring error.) *
(AC	Less than 50% faulty of white level data.) *
(B9	Light emission intensity error of the LED array.)
(BE	Abnormal clamp PWM value)
(BF	Light emission intensity error of the LED array at the setting time of initial values.) *
(D5	The MODEM fails to complete the command transmission sequence.)
(D6	No MODEM interrupt for 60 seconds.)
E6	Write error in EEPROM.
(E8	Data scanning error during transmission.)
F3	Voice message recording or playing-back not started.
(F5	EOL not found in page memory transmission mode.)
(F6	PC interface error.)

Error codes in parentheses do not appear in the "MACHINE ERROR _ _," since those errors are displayed as messages described in "[1] Error messages on the LCD." You can display those error codes in the maintenance mode (Function code 82). If an equipment error occurs during communications, they appear in the communications error lists.

*These codes marked with an asterisk can appear only in the maintenance mode.

Error Code (Hex.)	Error factor
(82xx	Although recording paper has been fed by 150 mm after the start of recording, the registration sensor is still OFF.)
(8303	Although recording paper has been fed by 360 mm after the start of recording, the registration sensor is still ON.)
(8809	Before the start of paper feeding, the registration sensor is already ON.)
(880B	The registration sensor is ON when you turn the power on or after you open and close the control panel ASSY.
(A301	In document scanning, the document front sensor goes OFF although the document rear sensor is still OFF.)
(A302	In document scanning, the document rear sensor is still OFF although a document has passed through the document front sensor.)
(A303	In document ejecting caused by any of the following, the document front sensor goes OFF but the document rear sensor remains OFF: <ul style="list-style-type: none"> - Depression of the STOP key in midway of scanning. - Illegal copying (Copying a document longer than the recording paper or making an enlargement copy larger than the recording paper). - Recovery operation from the error state (e.g., "DOCUMENT JAM" and "CHECK PAPER" error.)
(A304	In document ejecting caused by any of the following, the document rear sensor sticks to OFF: <ul style="list-style-type: none"> - Depression of the STOP key in midway of scanning. - Illegal copying (Copying a document longer than the recording paper or making an enlargement copy larger than the recording paper). - Recovery operation from the error state (e.g., "DOCUMENT JAM" and "CHECK PAPER" error.)
(A307	In document scanning, the document rear sensor remains ON although the document has been fed by the specified amount after the document front sensor went OFF.)
(A308	In document ejecting caused by any of the following, the document rear sensor remains ON although the document has been fed by the specified amount after the document front sensor went OFF: <ul style="list-style-type: none"> - Depression of the STOP key in midway of scanning. - Illegal copying (Copying a document longer than the recording paper or making an enlargement copy larger than the recording paper). - Recovery operation from the error state (e.g., "DOCUMENT JAM" and "CHECK PAPER" error.)

NOTE: Four-digit error codes listed above are preceded by MACHINE ERR instead of MACHINE ERROR.

Error codes in parentheses do not appear in the "MACHINE ERR _ _ _ _," since those errors are displayed as messages described in "[1] Error messages on the LCD." You can display those error codes in the maintenance mode (Function code 82). If an equipment error occurs during communications, they appear in the communications error lists.

1.2 Communications Errors

If a communications error occurs, the facsimile equipment

- ① emits an audible alarm (intermittent beeping) for approximately 4 seconds,
- ② displays the corresponding error message, and
- ③ prints out the transmission verification report if the equipment is in sending operation.

n Definition of Error Codes on the Communications List

(1) Calling

Code 1	Code 2	Causes
10	08	Wrong number called.
11	01	No dial tone detected before start of dialing.
11	02	Busy tone detected before dialing.
11	03	2nd dial tone not detected.
11	05	No loop current detected.*
11	06	Busy tone detected after dialing or called.
11	07	No response from the remote station in sending.
11	10	No tone detected after dialing.
17	07	No response from the calling station in receiving.

* Available in Germany and Austria only.

(2) Command reception

Code 1	Code 2	Causes
20	01	Unable to detect a flag field.
20	02	Carrier was OFF for 200 ms or longer.
20	03	Abort detected ("1" in succession for 7 bits or more).
20	04	Overrun detected.
20	05	A frame for 3 seconds or more received.
20	06	CRC error in answerback.
20	07	Undefined command received.
20	08	Invalid command received.
20	09	Command ignored once for document setting or for dumping-out at turn-around transmission.
20	0A	T5 time-out error
20	0B	CRP received.
20	0C	EOR and NULL received.

(3) Compatibility [checking the NSF and DIS]

Code 1	Code 2	Causes
32	01	Remote terminal only with V.29 capability in 2400 or 4800 bps transmission.
32	02	Remote terminal not ready for polling.
32	10	Remote terminal not equipped with password function or its password switch OFF.
32	11	Remote terminal not equipped with or not ready for confidential mail box function.
32	12	Remote terminal not equipped with or not ready for relay broadcasting function.
32	13	No confidential mail in the remote terminal.
32	14	The available memory space of the remote terminal is less than that required for reception of the confidential or relay broadcasting instruction.

(4) Instructions received from the remote terminal [checking the NSC, DTC, NSS, and DCS]

Code 1	Code 2	Causes
40	02	Illegal coding system requested.
40	03	Illegal recording width requested.
40	05	ECM requested although not allowed.
40	06	Polled while not ready.
40	07	No document to send when polled.
40	10	Nation code or manufacturer code not coincident.
40	11	Unregistered group code entered for relay broadcasting function, or the specified number of broadcasting subscribers exceeding the limit.
40	12	Retrieval attempted when not ready for retrieval.
40	13	Polled by any other manufacturers' terminal while waiting for secure polling.
40	17	Invalid resolution selected.

(5) Command reception [checking the NSF and DIS after transmission of NSS and DCS]

Code 1	Code 2	Causes
50	01	Vertical resolution capability changed after compensation of background color.

(6) ID checking

Code 1	Code 2	Causes
63	01	Password plus "lower 4 digits of telephone number" not coincident.
63	02	Password not coincident.
63	03	Polling ID not coincident.
63	04	Entered confidential mail box ID uncoincident with the mail box ID.
63	05	Relay broadcasting ID not coincident.
63	06	Entered retrieval ID uncoincident with that of the mail box ID.

(7) DCN reception

Code 1	Code 2	Causes
74		DCN received.

(8) TCF transmission/reception

Code 1	Code 2	Causes
80	01	Fallback impossible.

(9) Signal isolation

Code 1	Code 2	Causes
90	01	Unable to detect video signals and commands within 6 seconds after CFR is transmitted.
90	02	Received PPS containing invalid page count or block count.

(10) Video signal reception

Code 1	Code 2	Causes
A0	03	Error correction sequence not terminated even at the final transmission speed for fallback.
A0	11	Receive buffer empty. (5-second time-out)
A0	12	Receive buffer full during operation except receiving into memory.
A0	13	Decoding error continued on 500 lines.
A0	14	Decoding error continued for 10 seconds.
A0	15	Time-out: 5 seconds or more for one-line transmission.
A0	16	RTC not found and carrier OFF signal detected for 6 seconds.
A0	17	RTC found but no command detected for 60 seconds.
A0	18	Receive buffer full during receiving into memory.
A8	01	RTN, PIN, or ERR received at the calling terminal.*
A9	01	RTN, PIN, or ERR received at the called terminal.*

* Available in Germany and Austria only

(11) General communications-related

Code 1	Code 2	Causes
B0	02	Unable to receive the next-page data.
B0	03	Unable to receive polling even during turn-around transmission due to call reservation.
B0	04	PC interface error.

(12) Maintenance mode

Code 1	Code 2	Causes
E0	01	Failed to detect 1300 Hz signal in burn-in operation.
E0	02	Failed to detect PB signals in burn-in operation.
E0	03	Failed to detect any command from the RS-232C interface in burn-in operation.

(13) Equipment error

Code 1	Code 2	Causes
FF	<u>X</u> <u>X</u>	Equipment error (For <u>X</u> <u>X</u> , refer to Subsection 1.1 [2].)

2. TROUBLESHOOTING

2.1 Introduction

This section gives the service personnel some of the troubleshooting procedures to be followed if an error or malfunction occurs with the facsimile equipment. It is impossible to anticipate all of the possible problems which may occur in future and determine the troubleshooting procedures, so this section covers some sample problems. However, those samples will help service personnel pinpoint and repair other defective elements if he/she analyzes and examines them well.

2.2 Precautions

Be sure to observe the following to prevent the secondary troubles from happening:

- (1) Always unplug the AC power cord from the outlet when removing the covers and PCBs, adjusting the mechanisms, or conducting continuity testing with a circuit tester.
- (2) When disconnecting the connectors, do not pull the lead wires but hold the connector housings.
- (3) Before handling the PCBs, touch a metal portion of the machine to discharge static electricity charged in your body.

When repairing the PCBs, handle them with extra care.

After repairing the defective section, be sure to check again if the repaired section works correctly. Also record the troubleshooting procedure so that it would be of use for future trouble occurrence.

2.3 Checking prior to Troubleshooting

Prior to proceeding to the troubleshooting procedures given in Subsection 2.4, check that :

- (1) Each voltage level on AC input lines and DC lines is correct.
- (2) All cables and harnesses are firmly connected.
- (3) None of the fuses are blown.

2.4 Troubleshooting Procedures

[1] Control panel related

Trouble	Check:
(1) LCD shows nothing.	<ul style="list-style-type: none"> • Panel-main harness between the main PCB and the control PCB • Interfaces between the main PCB, NCU PCB and power supply PCB • LCD • Control panel PCB • Power supply PCB • NCU PCB • Main PCB
(2) Control panel inoperative.	<ul style="list-style-type: none"> • Panel-main harness between the main PCB and the control PCB • Interfaces between the main PCB, NCU PCB and power supply PCB • Control panel PCB • FPC key • Main PCB

[2] Telephone related

Trouble	Check:
(1) No phone call can be made.	<ul style="list-style-type: none"> • FPC key • Control panel PCB by using the maintenance-mode function code 13. If any defective keys are found, replace them. (Refer to Chapter V, Section 3.7, "Operational Check of Control Panel PCB.") • NCU PCB • Main PCB
(2) Speed dialing or one-touch dialing will not work.	<ul style="list-style-type: none"> • Ordinary dialing function (other than the speed and one-touch dialing) <p>If it works normally, check the main PCB; if not, refer to item (1) above.</p>
(3) Speaker silent during on-hook dialing.	<ul style="list-style-type: none"> • Ordinary dialing function (Pick up the handset and press the numerical keys.) <p>If it works normally, proceed to the following checks; if not, refer to item (1) above.</p>
(4) Dial does not switch between tone and pulse.	<ul style="list-style-type: none"> • Main PCB <p>(Not supported by the U.S.A. versions.)</p>
(5) Telephone does not ring.	<ul style="list-style-type: none"> • Speaker • NCU PCB • Main PCB

[3] Communications related

Trouble	Check:
(1) No tone is transmitted.	<ul style="list-style-type: none"> • Main PCB • NCU PCB

[4] Paper/document feeding related

Trouble	Check:
(1) Neither "COPY: PRESS COPY" nor "FAX: NO. & START" message appears although documents are set.	<ul style="list-style-type: none"> • Sensors by using the maintenance-mode function code 32. (Refer to Chapter V, Section 3.8, "Sensor Operational Check".) • Document front sensor actuator and rear sensor actuator • Control panel PCB and its harness • Main PCB
(2) Document not fed.	<ul style="list-style-type: none"> • ADF and its related sections • Drive motor and its harness • LF roller and its related gears • Arm HP switch and the planetary gear train • Main PCB
(3) Recording paper not fed.	<ul style="list-style-type: none"> • ACF and its related sections • Drive motor and its harness • Platen and its related gears • Arm HP switch and the planetary gear train • Sensor PCB and its harness • Main PCB
(4) Document double feeding	<ul style="list-style-type: none"> • ADF parts

[5] Print-image related

If the received or sent image has any problem, first make a copy with the facsimile equipment.

If the copied image is normal, the problem may be due to the remote terminal; if it is abnormal, proceed to the following checks:

Trouble	Check:
(1) Completely blank <u>At the scanner</u> <u>At the recorder</u>	<ul style="list-style-type: none"> • Main PCB • CIS unit • CIS-main harness • Main-head harness and head-power harness • Compression springs beneath the recording head • Recording head • Main PCB
(2) White vertical streaks <u>At the scanner</u> <u>At the recorder</u>	<ul style="list-style-type: none"> • CIS unit • Recording head
(3) All black <u>At the scanner</u> <u>At the recorder</u>	<ul style="list-style-type: none"> • CIS-main harness • CIS unit • Main PCB • Main-head harness and head-power harness • Recording head • Main PCB
(4) Black vertical streaks <u>At the scanner</u> <u>At the recorder</u>	<ul style="list-style-type: none"> • CIS unit • Recording head
(5) Light or dark <u>At the scanner</u> <u>At the recorder</u>	<ul style="list-style-type: none"> • CIS unit • Main PCB • Compression springs beneath the recording head • Position of the head adjuster
(6) Faulty image registration <u>At the scanner</u> <u>At the recorder</u>	<ul style="list-style-type: none"> • CIS-main harness • CIS unit • Main PCB • Main-head harness and head-power harness • Main PCB • Recording head

**FAX560/FAX580MC/MFC660MC
FAX-T72/FAX-T74/FAX-T76**

Appendix 1. EEPROM Customizing Codes

EEPROM Customizing Codes

This function allows you to customize the EEPROM according to language, function settings, and firmware switch settings. The customizing codes list is given on the next page.

n Operating Procedure

- (1) American models: Press the **Function**, *****, **2**, **8**, **6**, and **4** keys in this order to make the equipment enter the maintenance mode.

European models: Press the **Menu**, *****, **2**, **8**, **6**, and **4** keys in this order to make the equipment enter the maintenance mode.

The equipment beeps for approx. one second and displays " ■■ MAINTENANCE ■■■ " on the LCD.

- (2) Press the **7** and **4** keys in this order in the initial stage of the maintenance mode.
The current customizing code (e.g., 9001 in the case of FAX560 U.S.A. versions) appears.
- (3) Enter the desired customizing code (e.g., 0002 in the case of FAX580MC Canadian versions).
The newly entered code appears.

NOTE: If a wrong 4-digit code is entered, the equipment will malfunction.

- (4) Press the **Start** key.

The equipment saves the setting and returns to the initial stage of the maintenance mode.

If you press the **Stop** key or no keys are pressed for one minute in the above procedure, the equipment stops the procedure and returns to the initial stage of the maintenance mode.

n EEPROM Customizing Codes List

Versions	Model		
	FAX560	FAX580MC	MFC660MC
U.S.A.	9001	9001	9001
CANADA	0002	0002	0002
ARGENTINA	0035	0035	—
SOUTH AMERICA	0035	0035	—
CHILE	0036	0036	—
BRAZIL	0042	0042	—
MEXICO	0035	0035	—

Versions	Model		
	FAX560 (FAX1280)	FAX580MC (FAX1980MC)	—
China	0020	0020	—

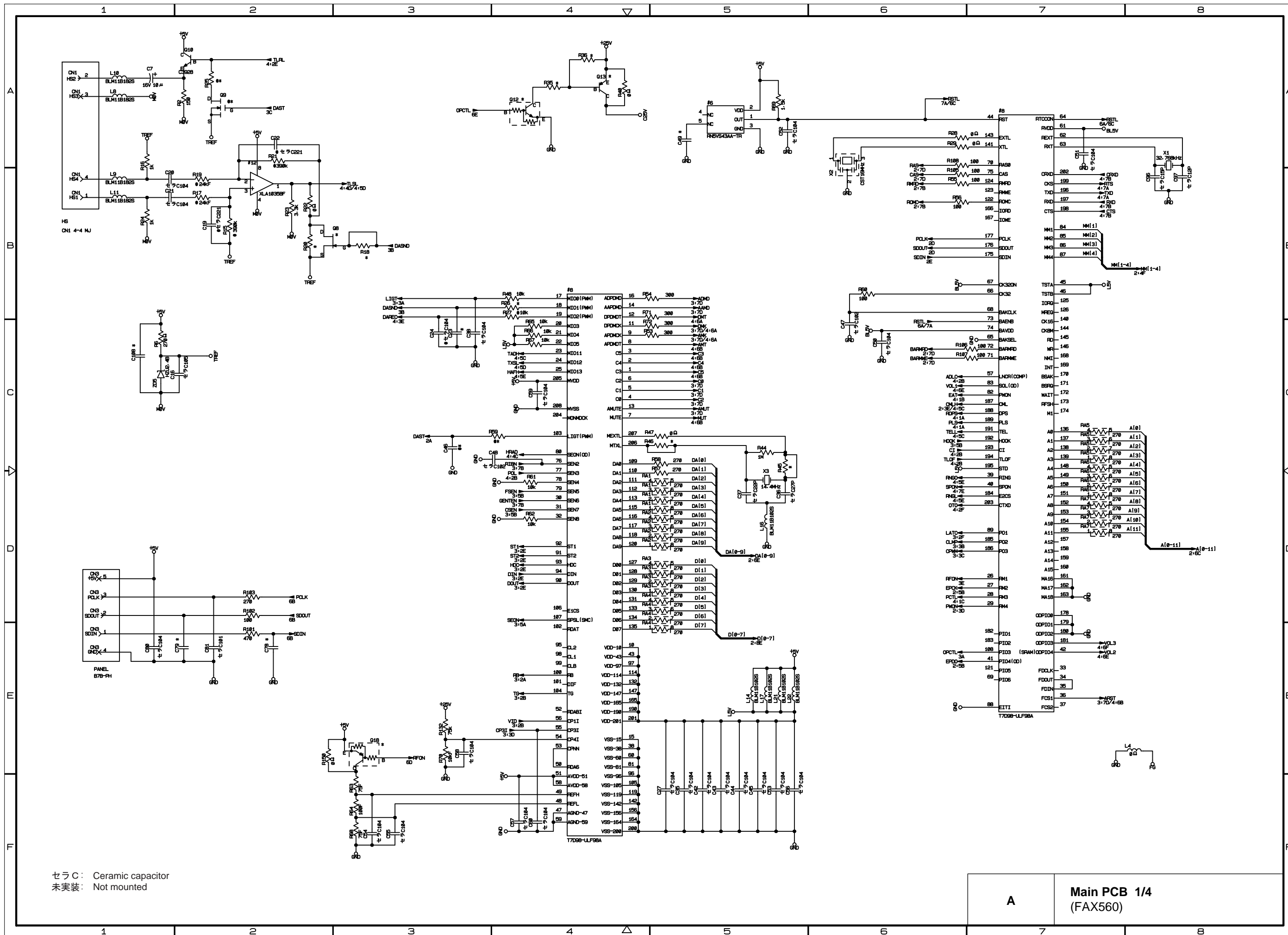
Versions	Model		
	FAX560 (FAX645)	FAX580MC (FAX685MC)	FAX660MC (MFC960MC)
AUSTRALIA	—	0006	0006
NEW ZEALAND	—	0027	0027
TAIWAN	0023	0023	—
HONG KONG	0040	0040	—
THAILAND	4001	4001	—
ASIA	0040	0040	—
GULF	0041	0041	—
INDONESIA	0040	0040	—
INDIA	0040	0040	—
RUSSIA	4001	4001	—

Versions	Model		
	FAX-T72	FAX-T74	FAX-T76
GERMANY	0003	0003	0003
UK	—	0004	0004
FRANCE	0005	0005	0005
NORWAY	—	0007	0007
BELGIUM	—	0008	0008
NETHERLANDS	—	0009	0009
SWITZERLAND	—	0010	0010
IRELAND	—	0011	0011
FINLAND	—	0012	0012
DENMARK	—	0013	0013
AUSTRIA	—	0014	0014
SPAIN	—	0015	0015
ITALY	—	0016	0016
PORTUGAL	—	0018	0018
SWEDEN	—	0026	0026

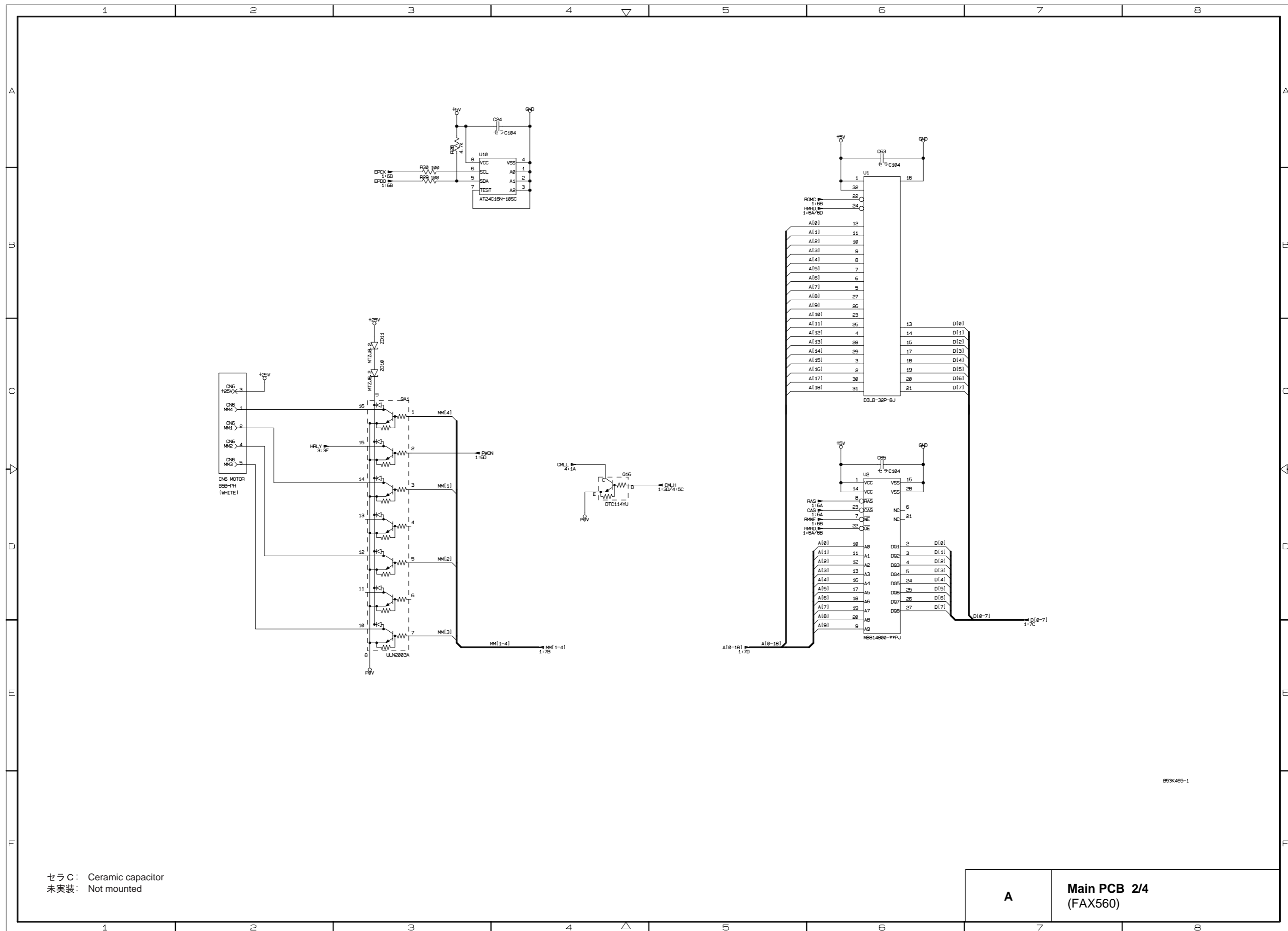
FAX560/FAX580MC/MFC660MC FAX-T72/FAX-T74/FAX-T76

Appendix 2. Circuit Diagrams

- A. Main PCB
- B. Network Control Unit (NCU) PCB
- C. Control Panel PCB
- D. Power Supply PCB

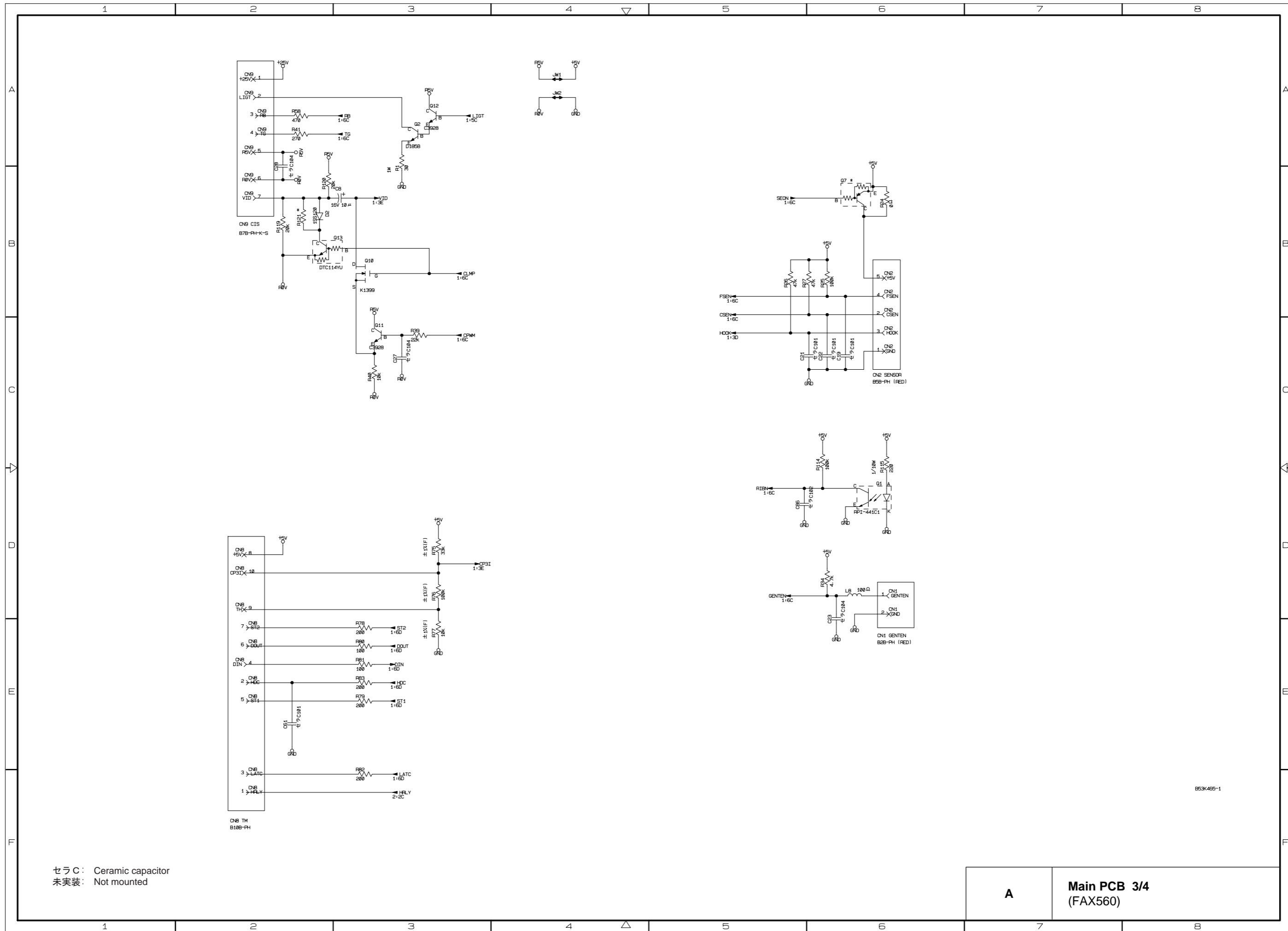


A Main PCB 1/4 (FAX560)



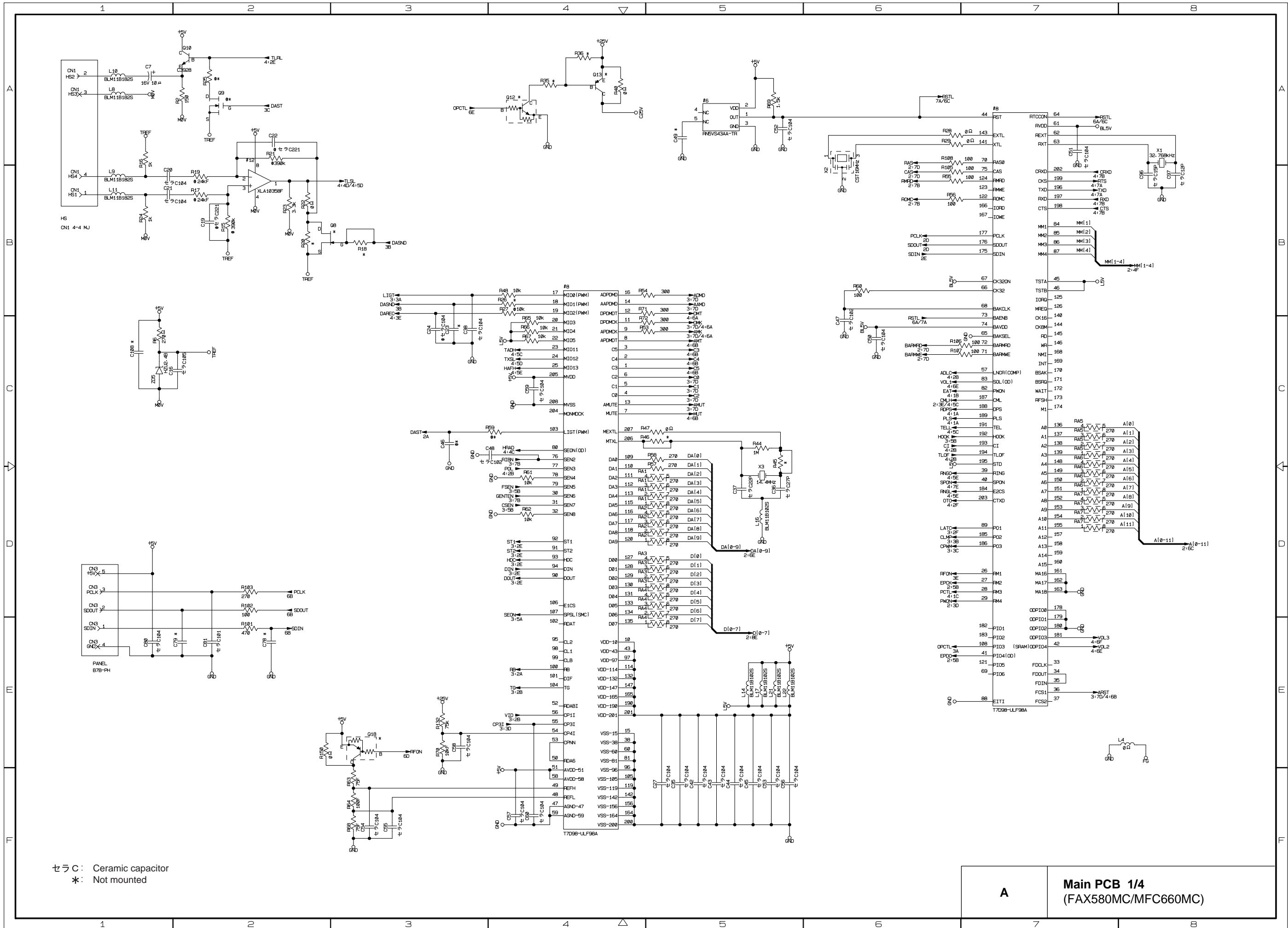
セラC: Ceramic capacitor
未実装: Not mounted

B53K465-1

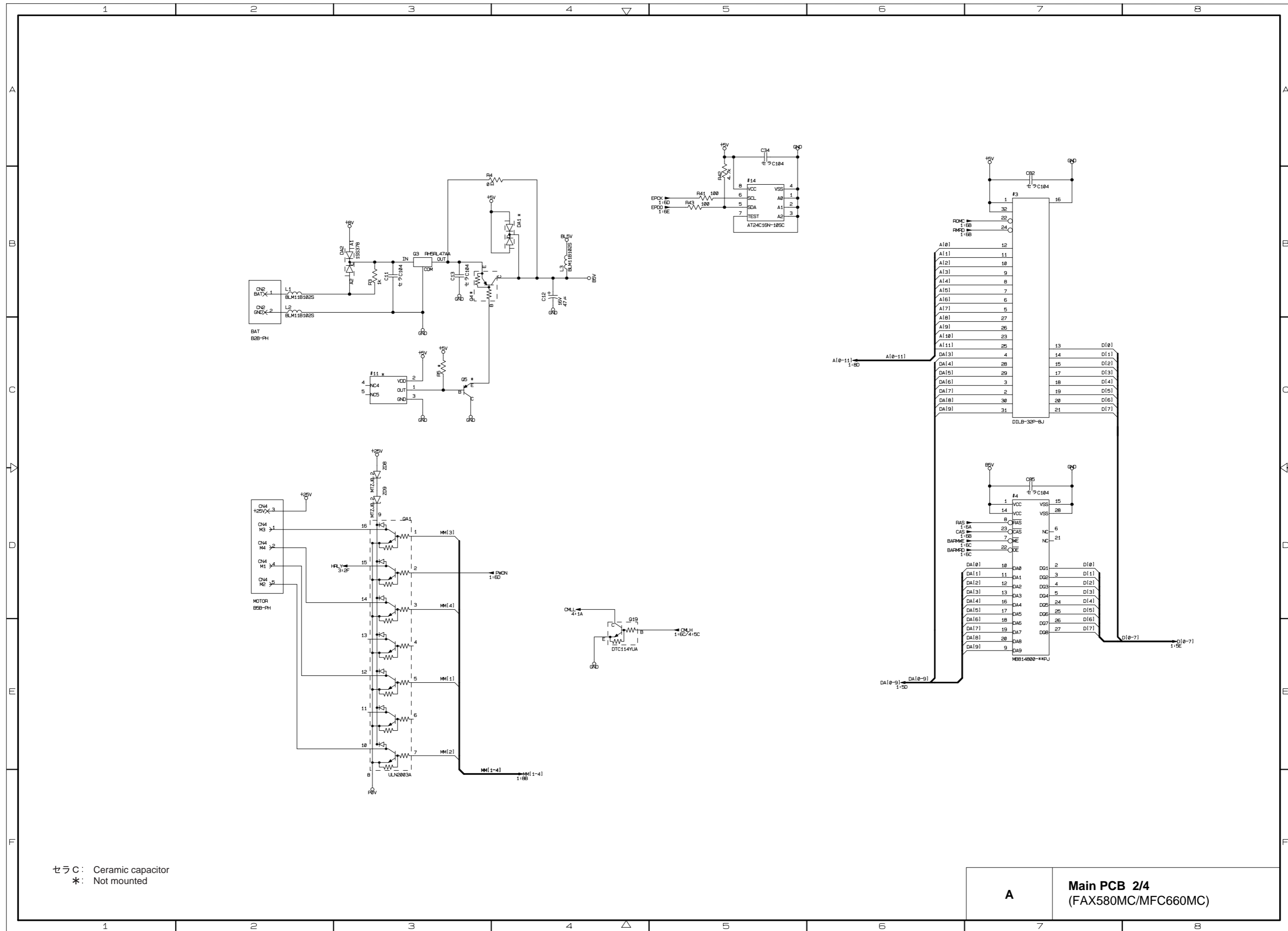


セラC: Ceramic capacitor
未実装: Not mounted

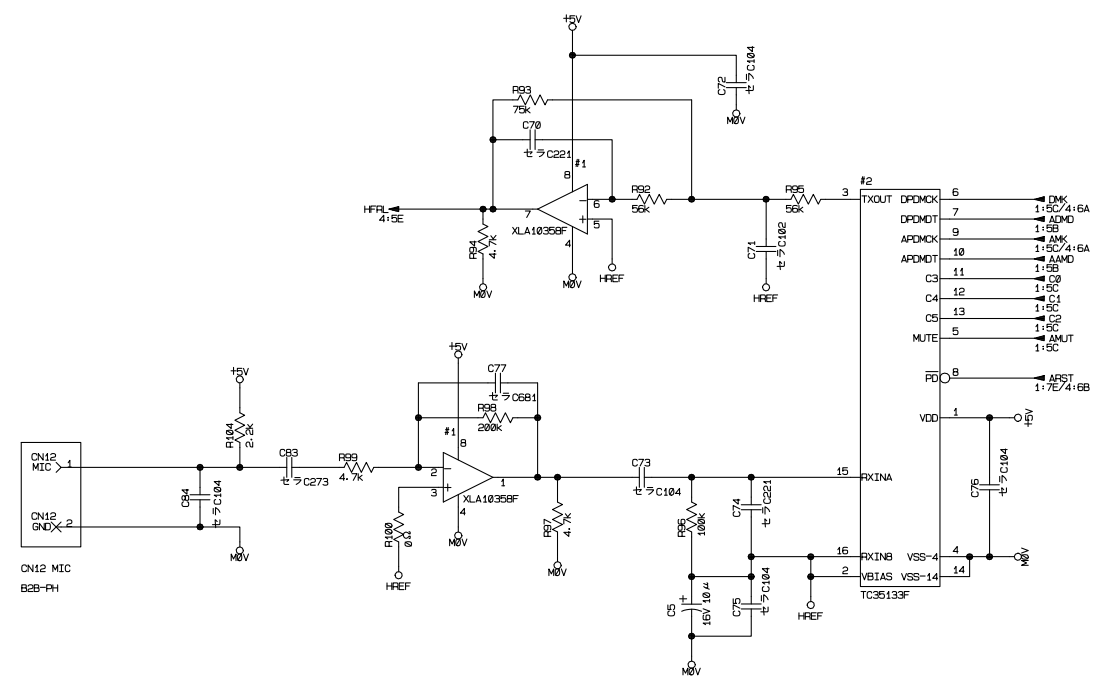
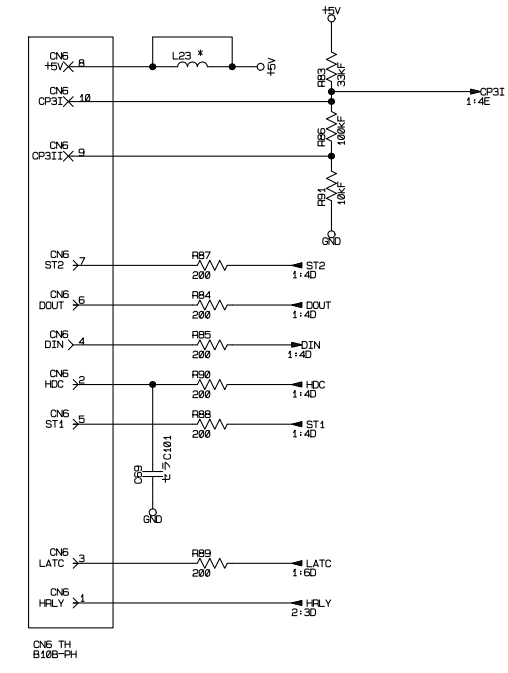
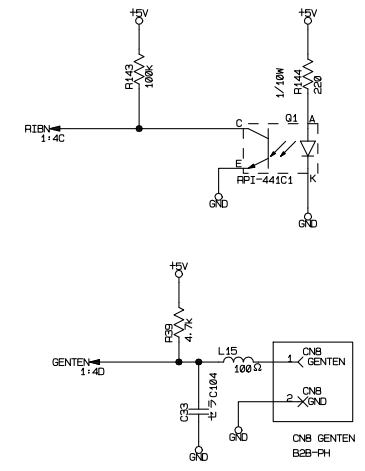
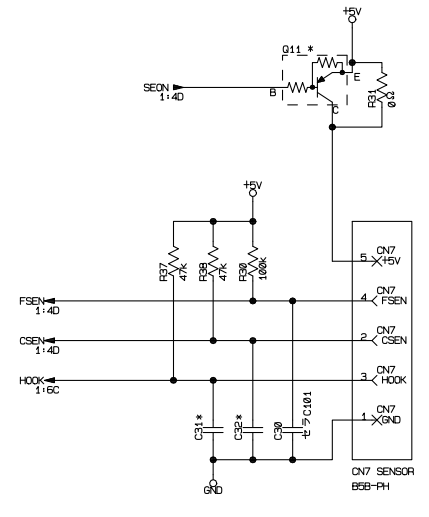
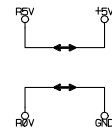
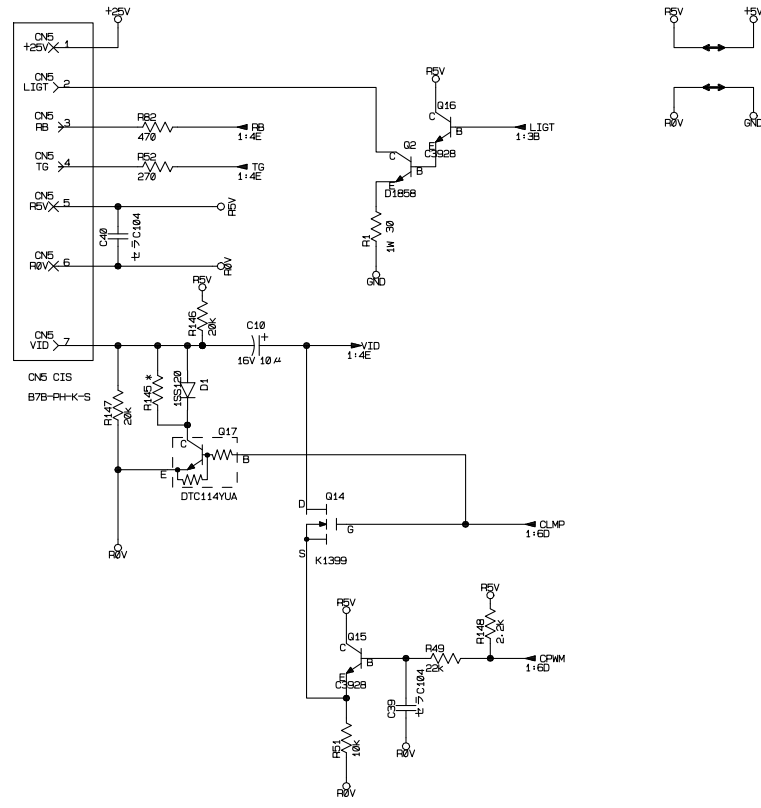
B53K465-1



A Main PCB 1/4 (FAX580MC/MFC660MC)



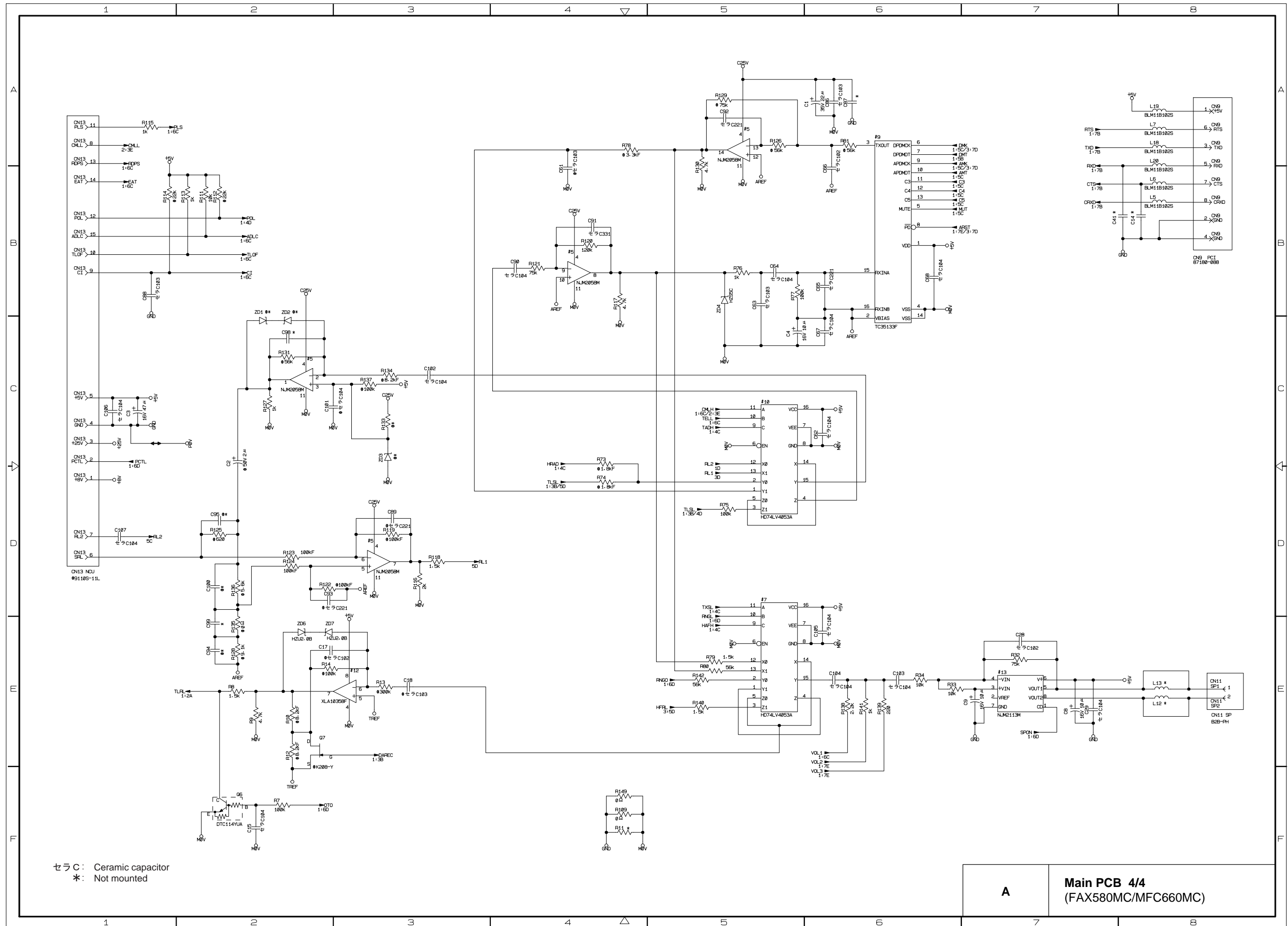
セラC: Ceramic capacitor
*: Not mounted



セラC : Ceramic capacitor
* : Not mounted

A

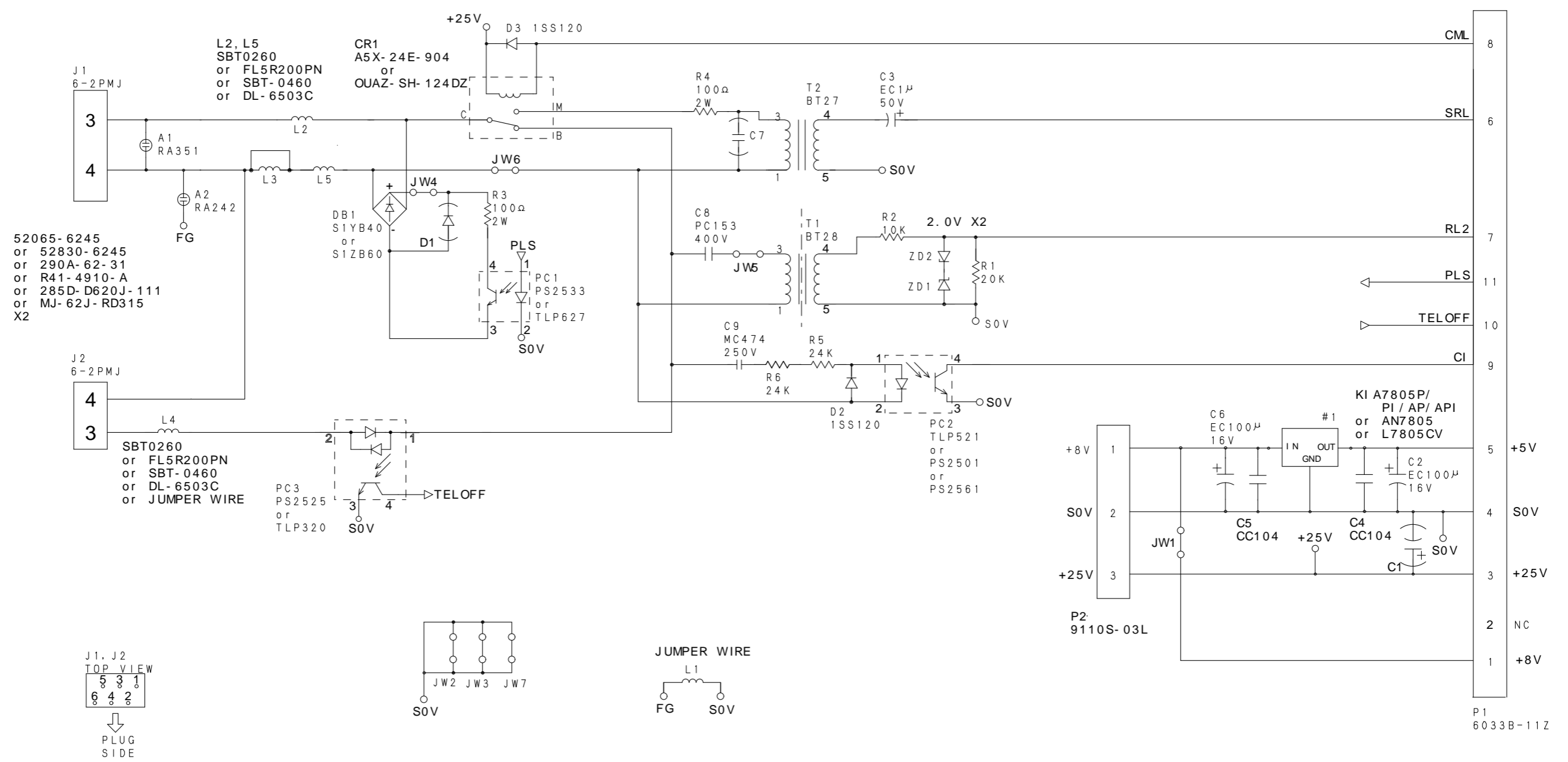
Main PCB 3/4
(FAX580MC/MFC660MC)



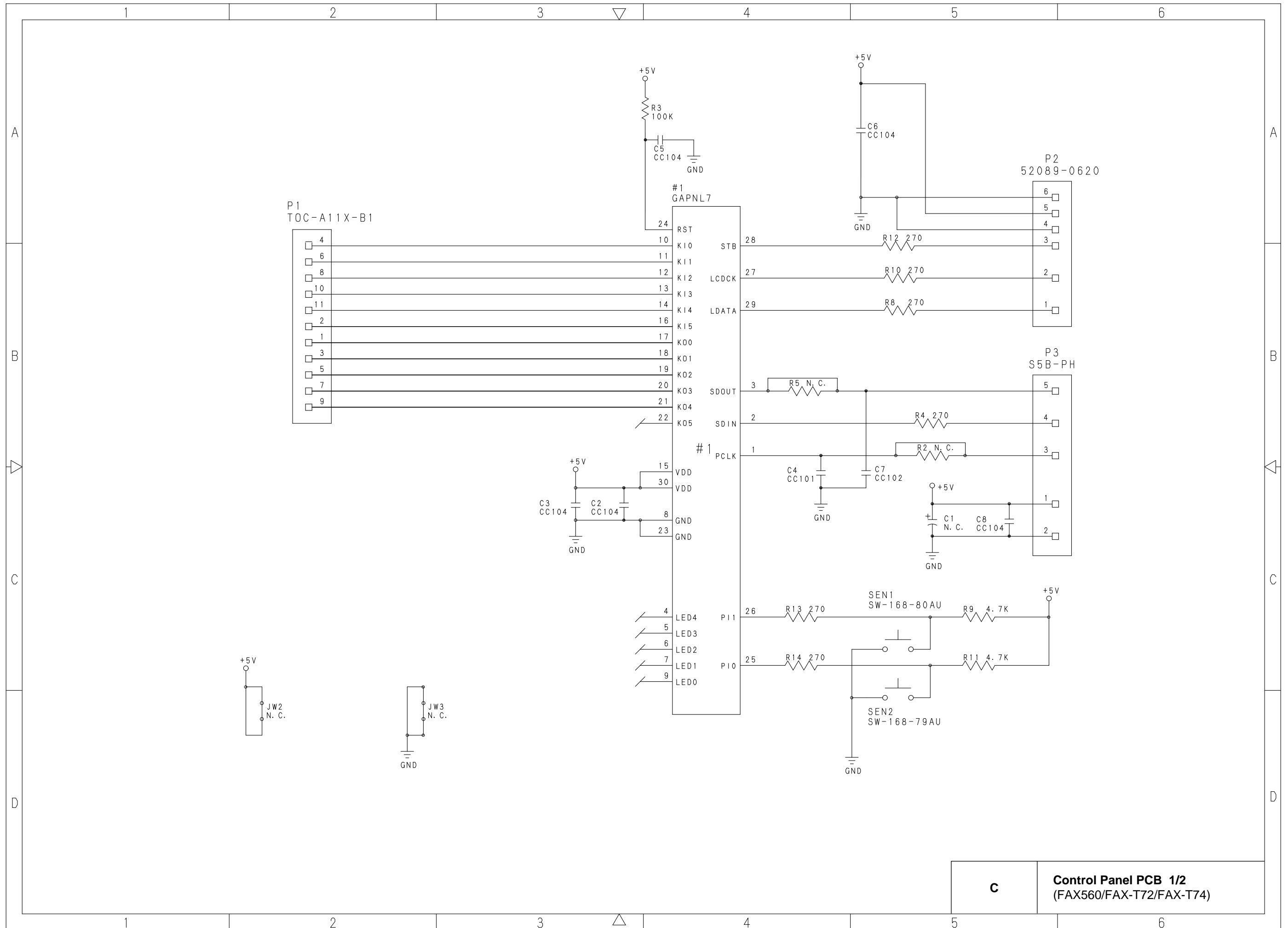
セラ C : Ceramic capacitor
 * : Not mounted

A Main PCB 4/4
 (FAX580MC/MFC660MC)

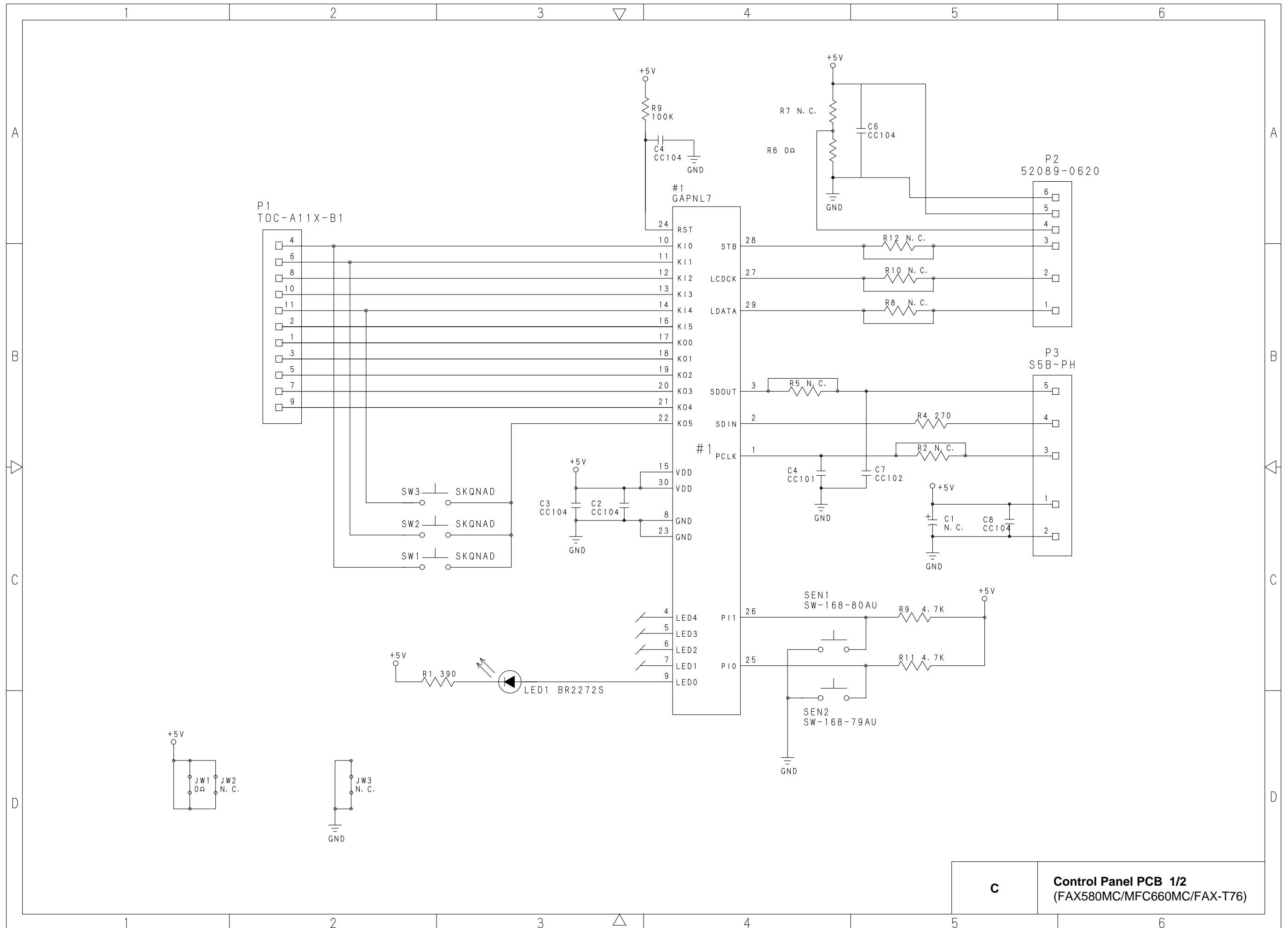
1. UNLESS OTHERWISE SPECIFIED, POWER CONSUMPTION OF RESISTORS IS 1/4W.
2. UNLESS OTHERWISE SPECIFIED, THE VOLTAGE RESISTANCE OF CAPACITORS IS 25V OR 50V.
3. COMPONENTS IN PARENTHESES NOT TO BE MOUNTED.
4. DB1, R3 AND PC1 ARE NOT MOUNTED FOR US MODEL.
5. ZD1 AND ZD2 ARE MOUNTED ONLY FOR MC MODEL.



B NCU PCB
(U.S./CANADA)



C Control Panel PCB 1/2
(FAX560/FAX-T72/FAX-T74)



C Control Panel PCB 1/2
(FAX580MC/MFC660MC/FAX-T76)

T7 PANEL KEY MATRIX REFERENCE TABLE 1

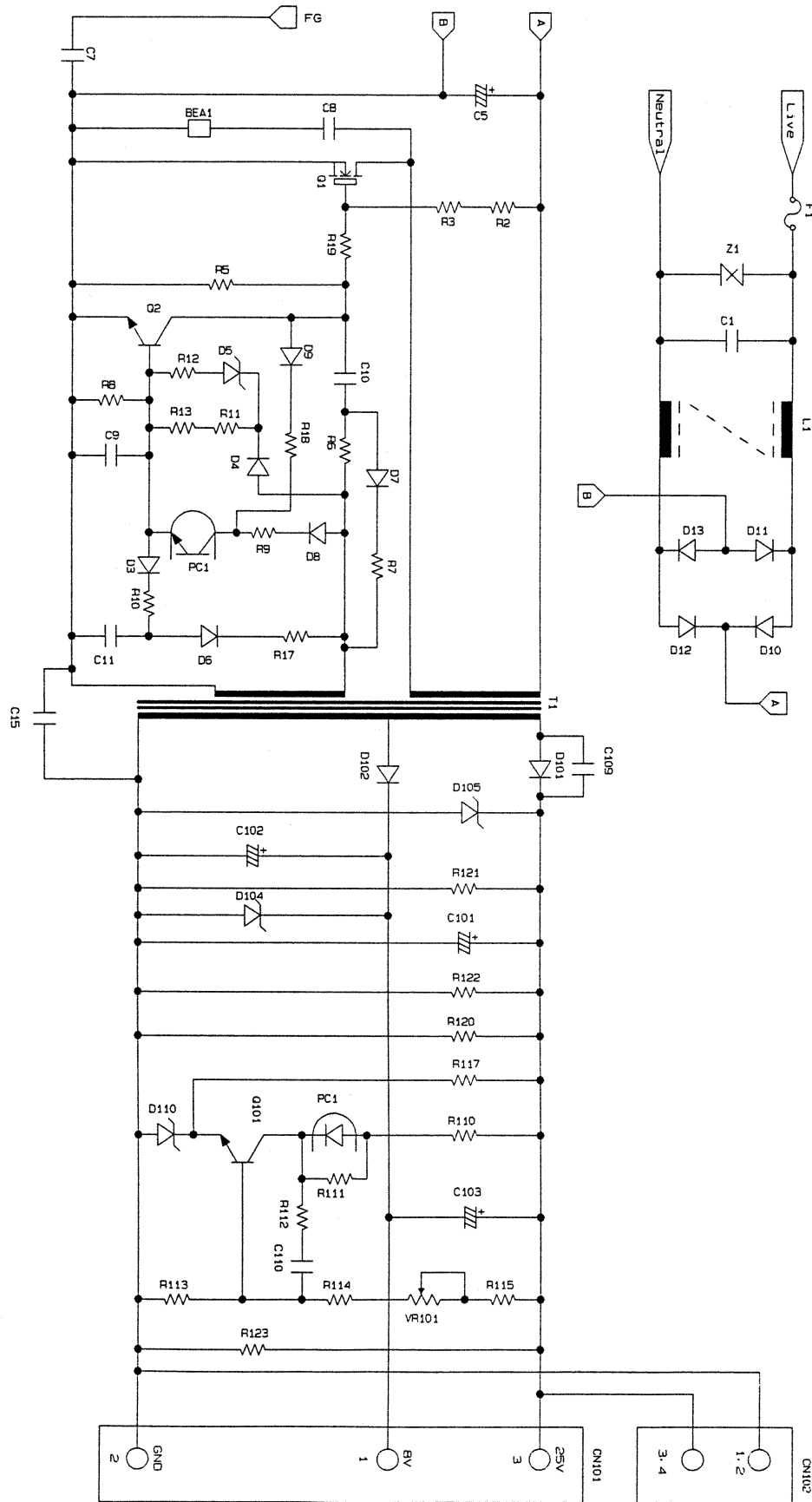
KEY NO.	KEY NAME	KEY COE
1	Hold/Caller ID	01
2	10key-1	21
3	10key-2	11
4	10key-3	09
5	Redial/Pause	19
6	10key-4	02
7	10key-5	12
8	10key-6	0A
9	Speed Dial/Search	1E
10	10key-7	22
11	10KEY-8	1A
12	10KEY-9	0B
13	Speaker Phone	06
14	10key-*	26
15	10key-0	16
16	10key-#	0E
17	1touch-01	04
18	1touch-02	1B
19	1touch-03	23
20	1touch-04	05
21	←	24
22	→	14
23	Function/Set	1C
24	Resolution	03
25	Mode	13
26	Stop	25
27	Copy/Help	15
28	Start	1D
SW1	MC ON/OFF	29
SW2	Play	2A
SW3	Erase	2D

T7 PANEL KEY MATRIX REFERENCE TABLE 2

	K00 P1-1P	K01 P1-3P	K02 P1-5P	K03 P1-7P	K04 P1-9P	K05 -
K10 P1-4P	1	4	3	5	2	* SW1
K11 P1-6P	6	8	7	11	10	* SW2
K12 P1-8P	24	12	25	18	19	-
K13 P1-10P	17	-	22	23	21	-
K14 P1-11P	20	-	27	28	26	* SW3
K15 P1-2P	13	16	15	9	14	-

*MC ONLY

MPW2295



D

Power supply
100-120V

brother®

May 2000
8X4501
Printed in Japan